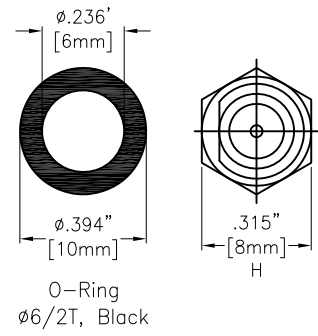
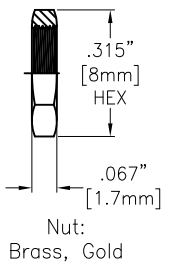
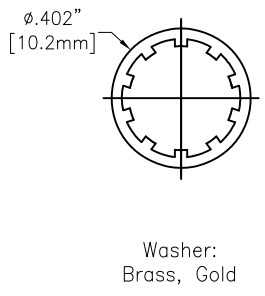
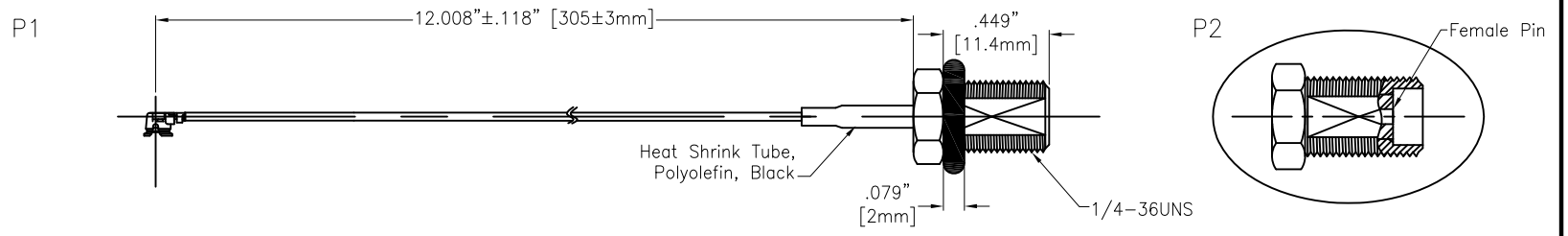


Rev	AWO #	Description	Date	Appr
-		RELEASED	11/16/18	

APPROVED: _____
 DATE: _____ TITLE: _____

CUSTOM CABLE ASSEMBLIES ARE NON-CANCELLABLE / NON-RETURNABLE



SPECIFICATIONS:

Connector:
 P1= I-PEX Connector, Gold plated
 P2= SMA Jack, Straight, Female pin, Gold plated

Cable:
 ø1.13mm Coaxial Cable, Color: Black

Electrical:
 Impedance: 50 ohms
 Frequency range: DC-6 GHz

Electrical Test:
 All Assemblies must be 100% Tested for
 Shorts, Open, Continuity, and Physical Appearance.

Environmental:
 Lead free, RoHS compliant



UNLESS OTHERWISE SPECIFIED ALL DIMENSIONS ARE INCHES [MM] TOLERANCES: EXCEPT AS NOTED		
INCHES		HOLES
.X ± .10	Ø.X ± .10	
.XX ± .020	Ø.XX ± .015	
.XXX ± .015	Ø.XXX ± .010	
APPROVALS		DATE
DRAWN	AY	11/16/18
CHECKED	AC	11/16/18
APPROVED		

ADAM TECH INTERCONNECTS
 909 Rahway Avenue,
 Union, NJ 07083
 Phone: 908-687-5000
 Fax: 908-687-5710

TITLE CUSTOM CABLE ASSEMBLY, IPEX PLUG TO SMA S/T JACK WITH OD 1.13MM CABLE		
SIZE	PART NO.	REV.
X	CA#DKCA0-305L0-AJ10-O	-
REF: S00291T	SCALE: NTS	SHEET 1 OF 1

6

5

4

3

2

1

6

5

4

3

2

1