

PART NAME: KNOB SCALE: 1:1 DATE: 3/26/96 DR. BY TD

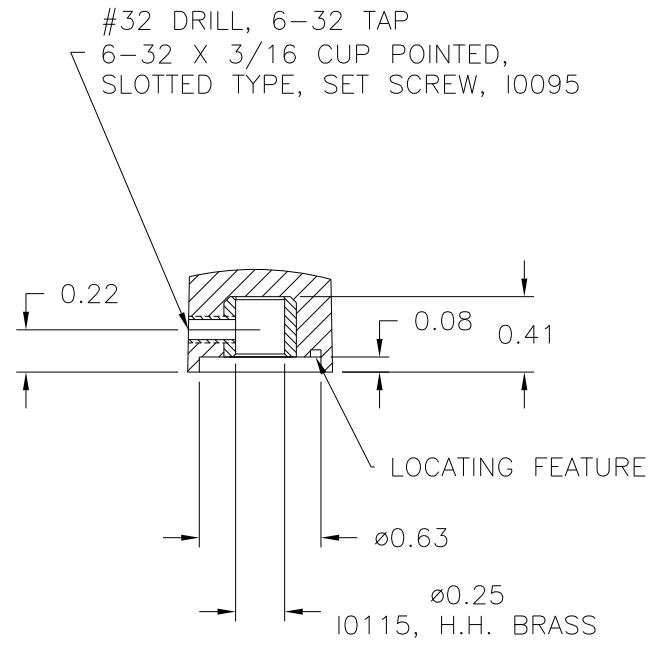
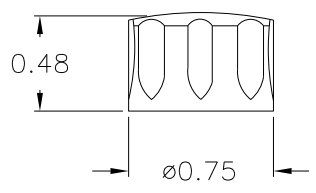
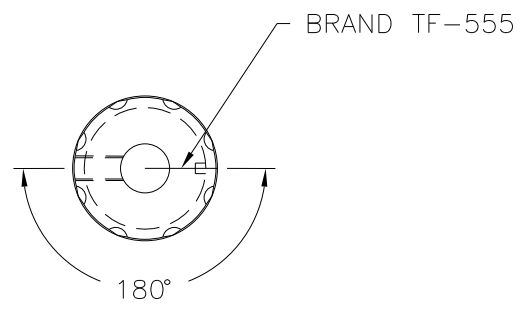
DAVIES MOLDING COMPANY
CAROL STREAM, ILLINOIS 60188

P/N 1914-N

THIS DRAWING IS THE PROPERTY OF DAVIES MOLDING COMPANY, IS SUBMITTED SOLELY AS A DESIGN OR ENGINEERING PROJECT. WE ACCEPT NO RESPONSIBILITY WHATSOEVER FOR THE PRACTICAL APPLICATION OF THE PIECES MADE TO THIS DESIGN.

BASE PART 1914-03

(A)	SET SCREW	I0095
	BRAND	TF-0555



MATERIAL: G.P. PHENOLIC (B11)
COLOR: BLACK

TOLERANCES: UNLESS OTHERWISE SPECIFIED	DO NOT SCALE DRAWING			
DECIMALS: X.XXX ± .005 X.XX ± .015	MM: X.XX ± 0.15MM X.X ± 0.4MM	A	CORRECTED SET SCREW, WAS I0252	JAM 8/2/05
		-	UPDATED/HAD TOOLBOX	EV. 8/21/02
		-	REDRAW	JAM 3/27/02
FRACTIONS ± 1/64	ANG. ± 1°	CHANGES		