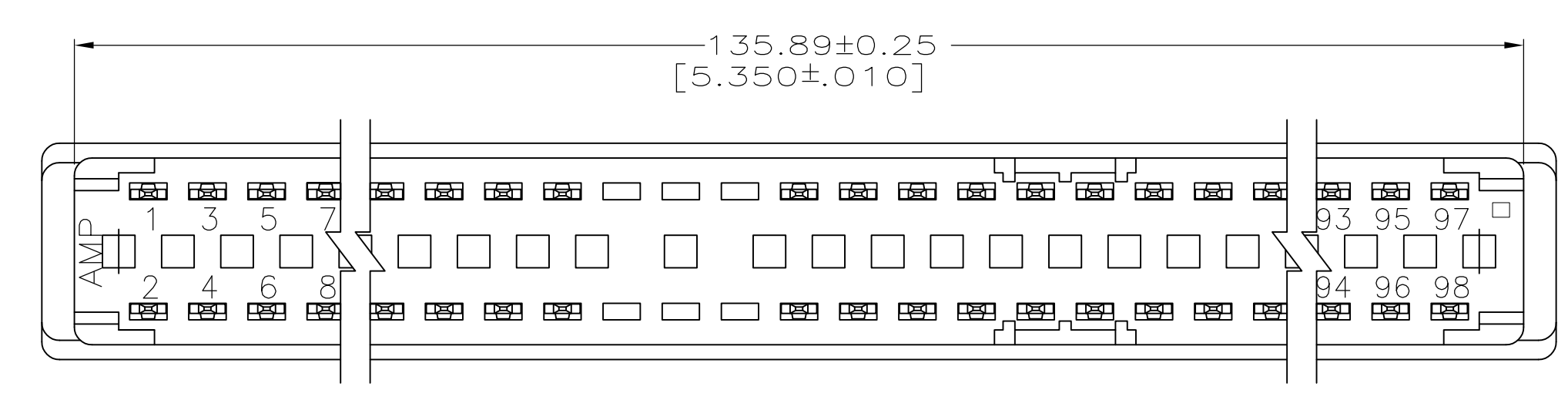
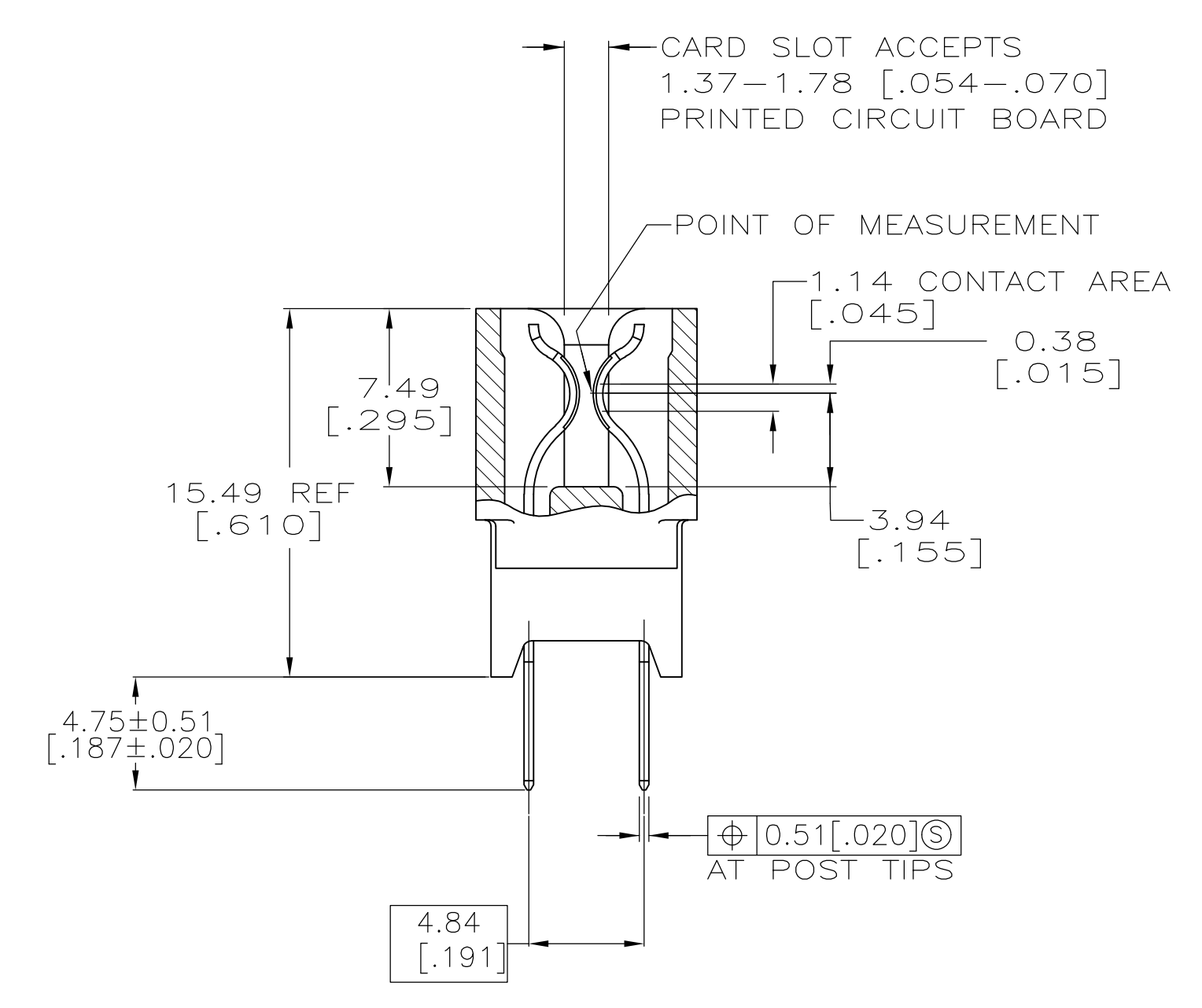
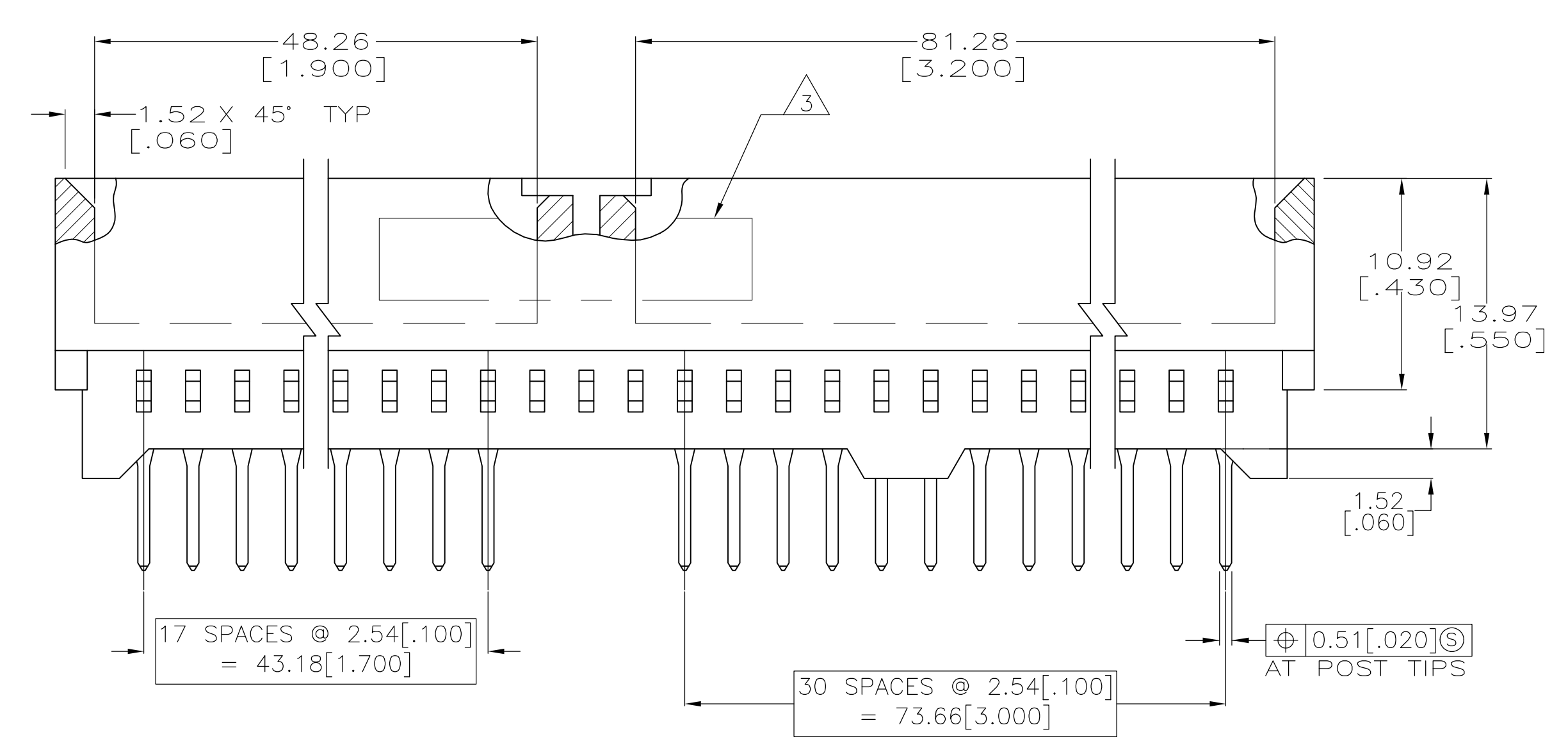


- MATERIAL:  
 HOUSING: GLASS FILLED POLYESTER; COLOR: BLACK.  
 CONTACT: PHOS BRONZE
- FINISH:  
 0.00076[.000030] MIN GOLD PLATE IN CONTACT AREA,  
 0.00254[.000100] MIN MATTE TIN ON SOLDER POSTS, ALL  
 OVER 0.00127[.000050] MIN NICKEL
- AMP LOGO, TE PART NUMBER, DATE CODE AND CSA LOGO INK  
 STAMPED WHITE (HOT STAMPED OR LAZER PRINTED) IN THE APPROXIMATE  
 AREA SHOWN, EITHER SIDE PERMISSABLE, WHEN HOUSING SIZE PERMITS
- RECOMMENDED PCB FINISHED HOLE DIAMETER = 1.08±0.08[.040±.003]



**OBSELETE** 5650616-2  
 PART NUMBER

49 5650616-1  
 NO OF POSN PART NUMBER

THIS DRAWING IS A CONTROLLED DOCUMENT.		DWN: AWF/L.A.MAYER 29FEB2008 CHK: A.W.FRANTUM 29FEB2008		Tyco Electronics Corporation Harrisburg, PA 17105-3608	
DIMENSIONS: mm [INCHES]		TOLERANCES UNLESS OTHERWISE SPECIFIED: 0. PLC ± - 1. PLC ± - 2. PLC ± 0.13 [.005] 3. PLC ± - 4. PLC ± - ANGLES ± °		NAME: S. FLICKINGER 29FEB2008 PRODUCT SPEC: 108-9039 APPLICATION SPEC: 114-13018	
MATERIAL: SEE NOTE 1		FINISH: SEE NOTE 2		SIZE: A1 WEIGHT: - CUSTOMER DRAWING: 000779 SCALE: 4:1	
				RESTRICTED TO: - SHEET 1 OF 1 REV B	