

| LOC | DIST | REV | DATE | BY | CHKD | APVD |
|-----|------|-----|-----------|----|------|------|
| GP | 00 | B1 | 11MAR2011 | RK | HMR | |

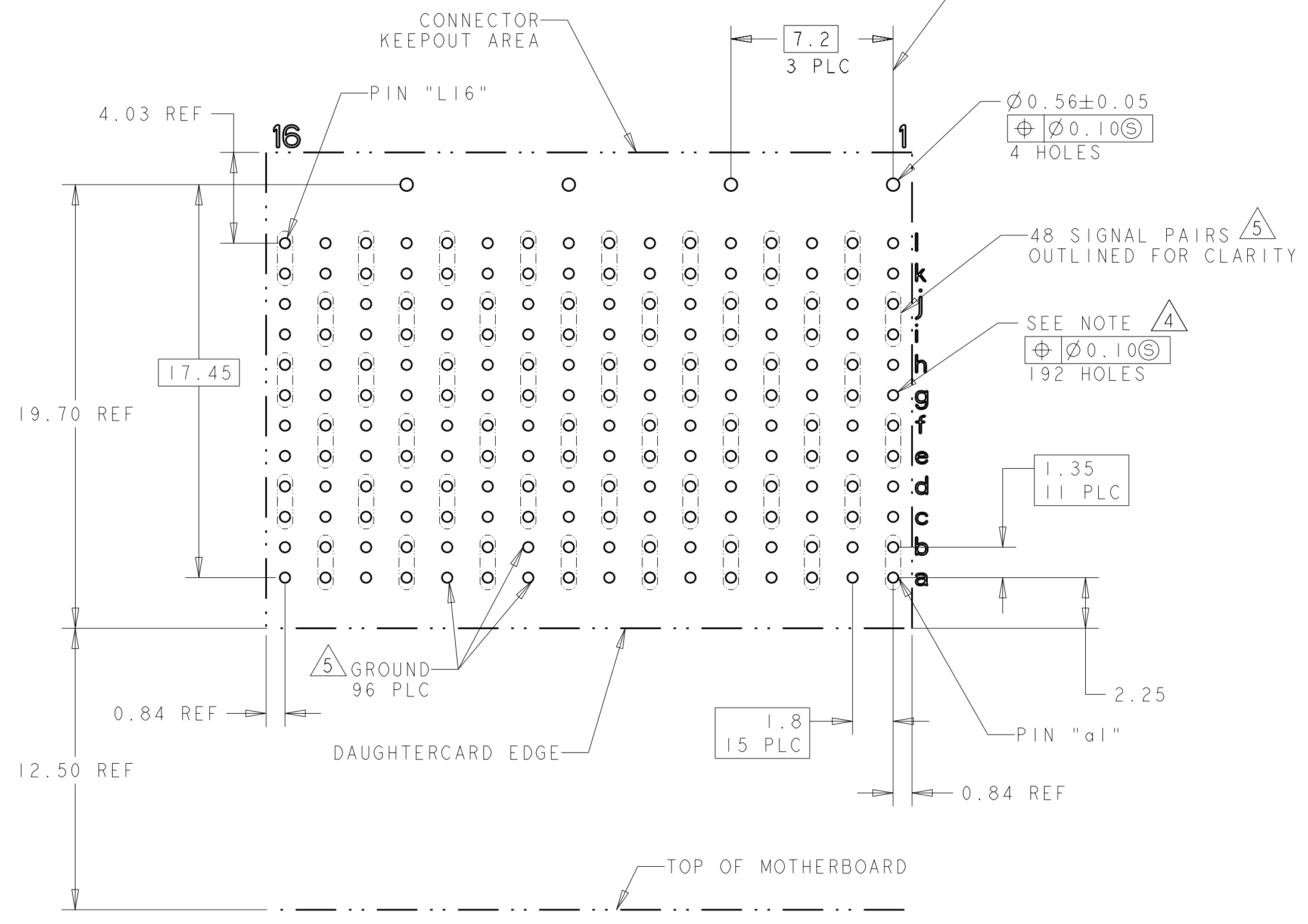
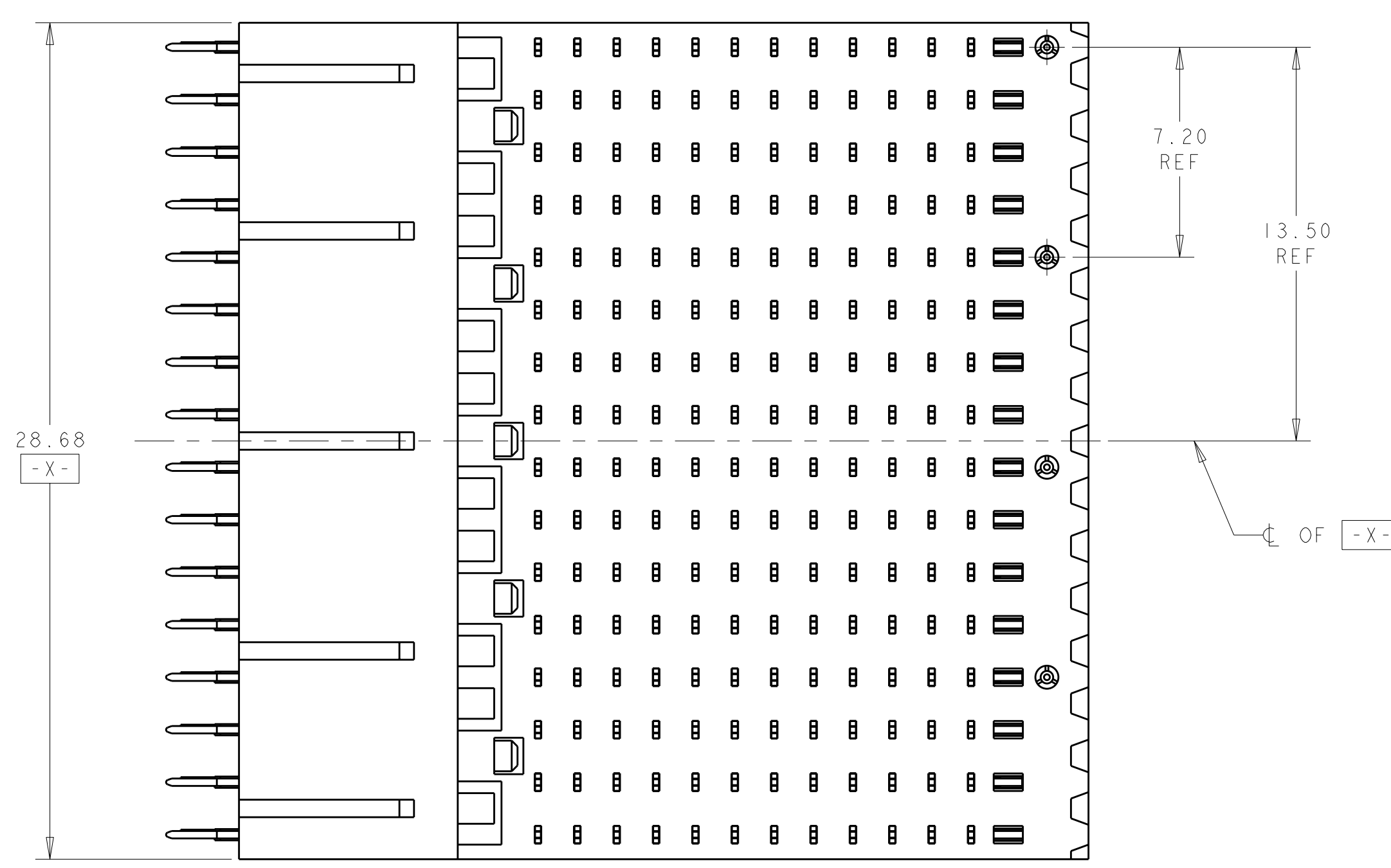
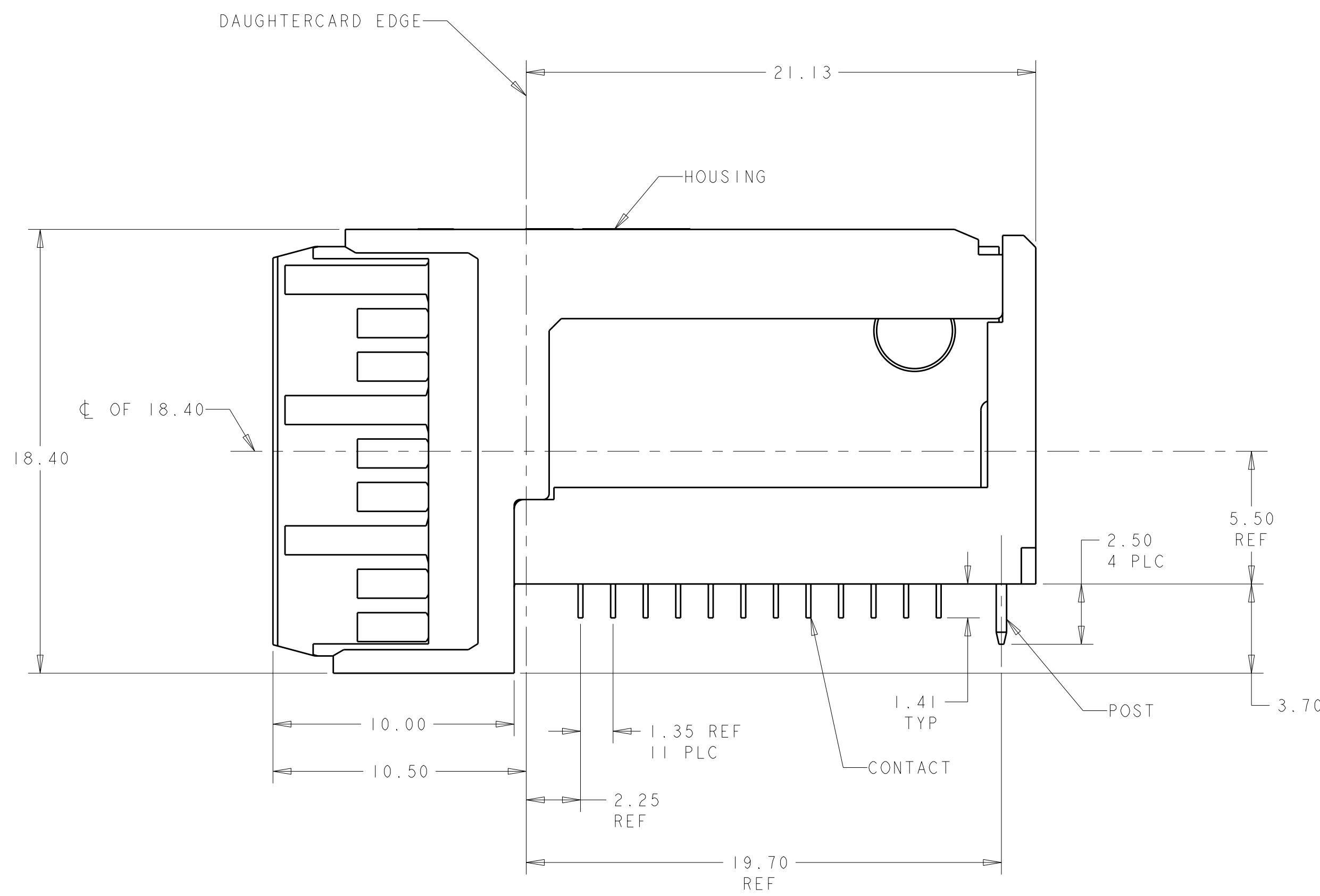
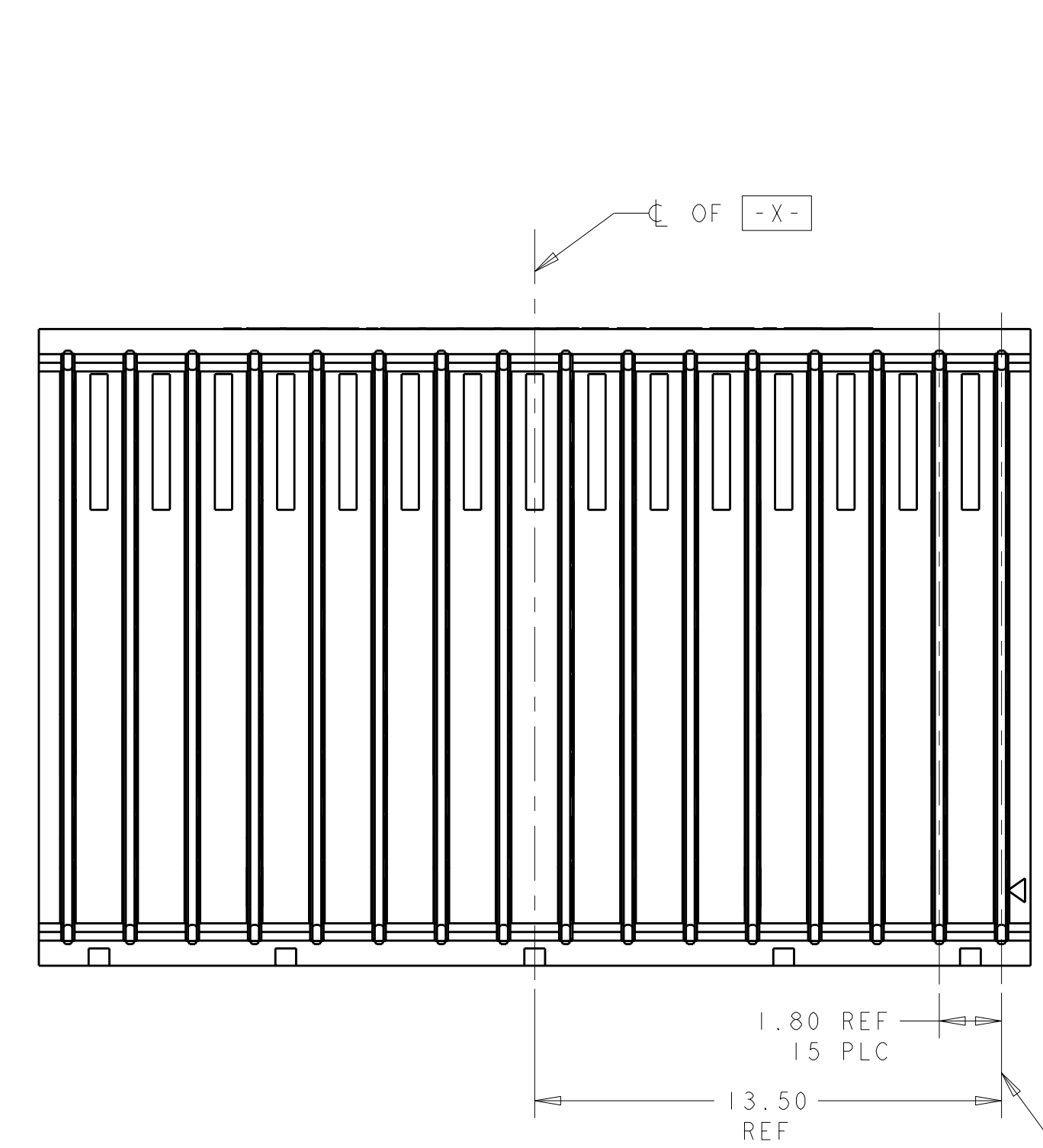
- 1 HOUSING: LCP, UL94V0, COLOR: BLACK.
CONTACT: PHOSPHOR BRONZE.
POST: BRASS WIRE
- 2 CONTACT: 0.76µm MIN GOLD IN CONTACT AREA.
1.27µm MIN. TIN-LEAD ON PCB TAIL
OVER 1.27µm MIN. NICKEL OVER ALL.
POST: 1.27µm MIN NICKEL PLATED.
- 3 CONTACT: 0.76µm MIN GOLD IN CONTACT AREA.
1.27µm MIN. TIN ON PCB TAIL
OVER 1.27µm MIN. NICKEL OVER ALL.
POST: 1.27µm MIN NICKEL PLATED.
- 4 MANUFACTURING TOLERANCE FOR:
Ø0.46±0.05 FINISHED HOLE WITH Sn PB PLATING:
DRILLED HOLE = Ø0.55±0.02
COPPER PLATING = 0.025-0.050
Sn PB PLATING = 0.0038-0.0124
OR
Ø0.475±0.05 FINISHED HOLE WITHOUT Sn PB PLATING:
DRILLED HOLE = Ø0.55±0.02
COPPER PLATING = 0.025-0.050
- 5 SEE TABLE 1 FOR INTERCONNECTIONS TO BACKPLANE CONNECTOR.

TABLE 1
INTERCONNECTIONS WITH BACKPLANE CONNECTOR 1410140

| TYPICAL INTERCONNECTIONS FOR EACH EVEN-NUMBERED COLUMN (WAFER): 2, 4, 6, 8, 10, 12, 14, 16 | | |
|--|---------------------------------------|-------------------------|
| CONTACT USAGE | DAUGHTERCARD CONNECTOR PIN | BACKPLANE CONNECTOR PIN |
| SIGNAL PAIR | cx | bx |
| | dx | cx |
| SIGNAL PAIR | gx | ex |
| | hx | fx |
| SIGNAL PAIR | kx | hx |
| | lx | ix |
| GROUPS | ax, bx, ex, fx, ix, jx (ALL COMMONED) | ax, dx, gx |

| TYPICAL INTERCONNECTIONS FOR EACH ODD-NUMBERED COLUMN (WAFER): 1, 3, 5, 7, 9, 11, 13, 15 | | |
|--|---------------------------------------|-------------------------|
| CONTACT USAGE | DAUGHTERCARD CONNECTOR PIN | BACKPLANE CONNECTOR PIN |
| SIGNAL PAIR | ax | ax |
| | bx | bx |
| SIGNAL PAIR | ex | dx |
| | fx | ex |
| SIGNAL PAIR | ix | gx |
| | jx | hx |
| GROUPS | cx, dx, gx, hx, kx, lx (ALL COMMONED) | cx, fx, ix |

NOTE: "x" DESIGNATES THE COLUMN NUMBER



PC BOARD LAYOUT (CONNECTOR SIDE)
SCALE 5:1

| | |
|-----------|-----------|
| 1410137-2 | 1410137-1 |
| PLATING | PART NO |

| | | | | |
|--|-------------|-----------------------------|--------------------------------------|--|
| THIS DRAWING IS A CONTROLLED DOCUMENT. | | DWN: R. TREA 05NOV2002 | 1410137-2 | |
| DIMENSIONS: mm | | CHK: J. CONSOLI 18NOV2002 | 1410137-1 | |
| TOLERANCES UNLESS OTHERWISE SPECIFIED: | | APVD: G. GRIFFITH 14MAR2006 | PART NO | |
| Ø | 9 PLC ± | NAME: G. GRIFFITH | TE Connectivity | |
| mm | 1 PLC ±0.5 | PRODUCT SPEC: 108-2072 | RIGHT-ANGLE PLUG ASSEMBLY | |
| mm | 3 PLC ±0.13 | APPLICATION SPEC: 114-13056 | CENTER, 20.3mm, MultiGig RT2, | |
| mm | 5 PLC ± | SIZE: 114-13056 | DIFFERENTIAL, DAUGHTERCARD CONNECTOR | |
| mm | 4 PLC ± | WEIGHT: - | RESTRICTED TO | |
| mm | ANGLES ±1° | FINISH: - | A100779C=1410137 | |
| MATERIAL: - | FINISH: - | SEE TABLE | SCALE 5:1 SHEET 1 OF 1 REV B1 | |
| CUSTOMER DRAWING | | | | |