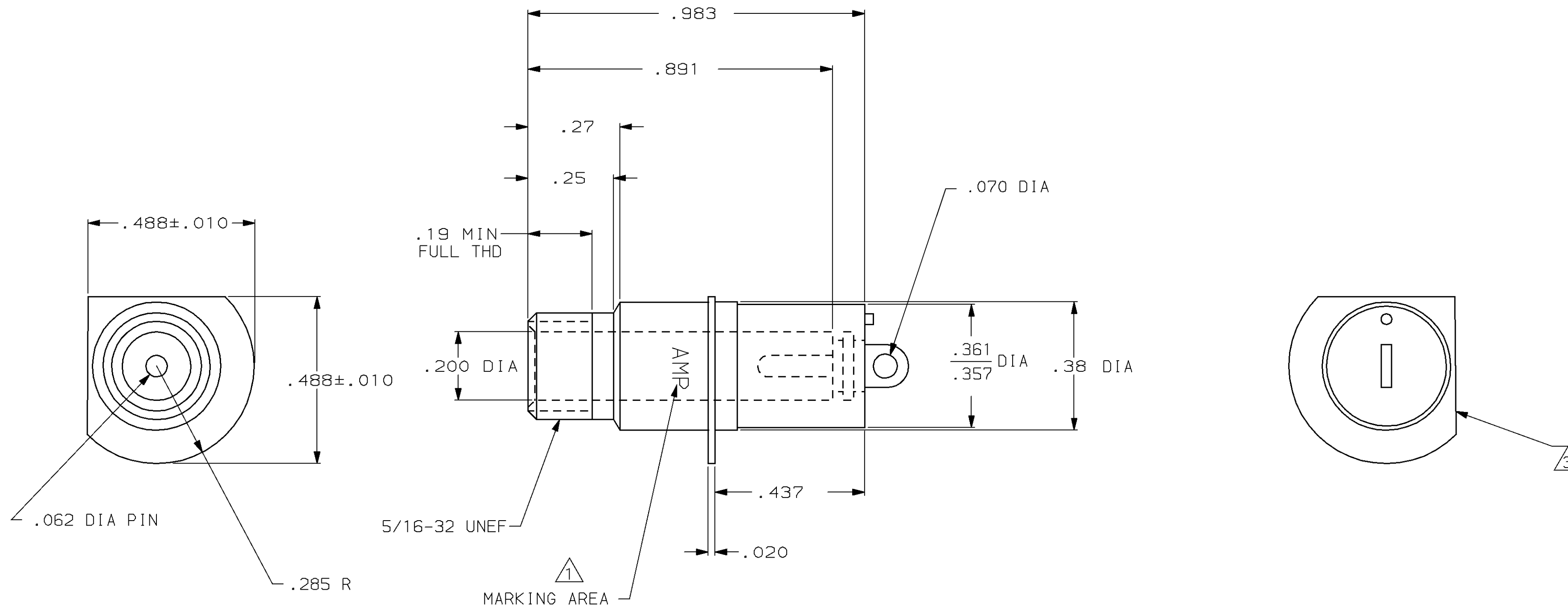


THIS DRAWING IS UNPUBLISHED. RELEASED FOR PUBLICATION ,19 .
 © COPYRIGHT 19 BY AMP INCORPORATED, HARRISBURG, PA. ALL INTERNATIONAL RIGHTS RESERVED. AMP PRODUCTS MAY BE COVERED BY U.S. AND FOREIGN PATENTS AND/OR PATENTS PENDING.

LOC		DIST		P		F		REVISIONS		DATE	APPROVED
DF	SO			ZONE	LTR	DESCRIPTION					
					A	REV PER 0600-6064-96 CT		3-97	SG		



- 1 MARKED PER MIL-STD-130.
- 2. THIS RECEPTACLE IS HERMETICALLY SEALED.
- 3 EYELET PORTION OF PIN AND FLATS ON FLANGE TO BE ORIENTED AS SHOWN.

868698-1

PART NO

UNLESS OTHERWISE SPECIFIED
 DIMENSIONS ARE IN INCHES
 TOLERANCES ON :

2 PL DEC ± .01
 3 PL DEC ± .005
 ANGLES ± -

MATERIAL

-

FINISH

-

DR 2-5-86
 R. HEPNER

CHK 2-5-86
 M. GARDNER

APPD 2-5-86
 M. GARDNER

APPD 2-5-86
 R. HEPNER

PRODUCT SPEC

APPLICATION SPEC

WEIGHT

-

AMP AMP INCORPORATED
 Harrisburg, Pa. 17105

NAME

RECEPTACLE,
 LGH 1/2L

SIZE

C

FSCM NO

00779

DRAWING NO

868698

SCALE 4:1

SHEET 1 OF 1