


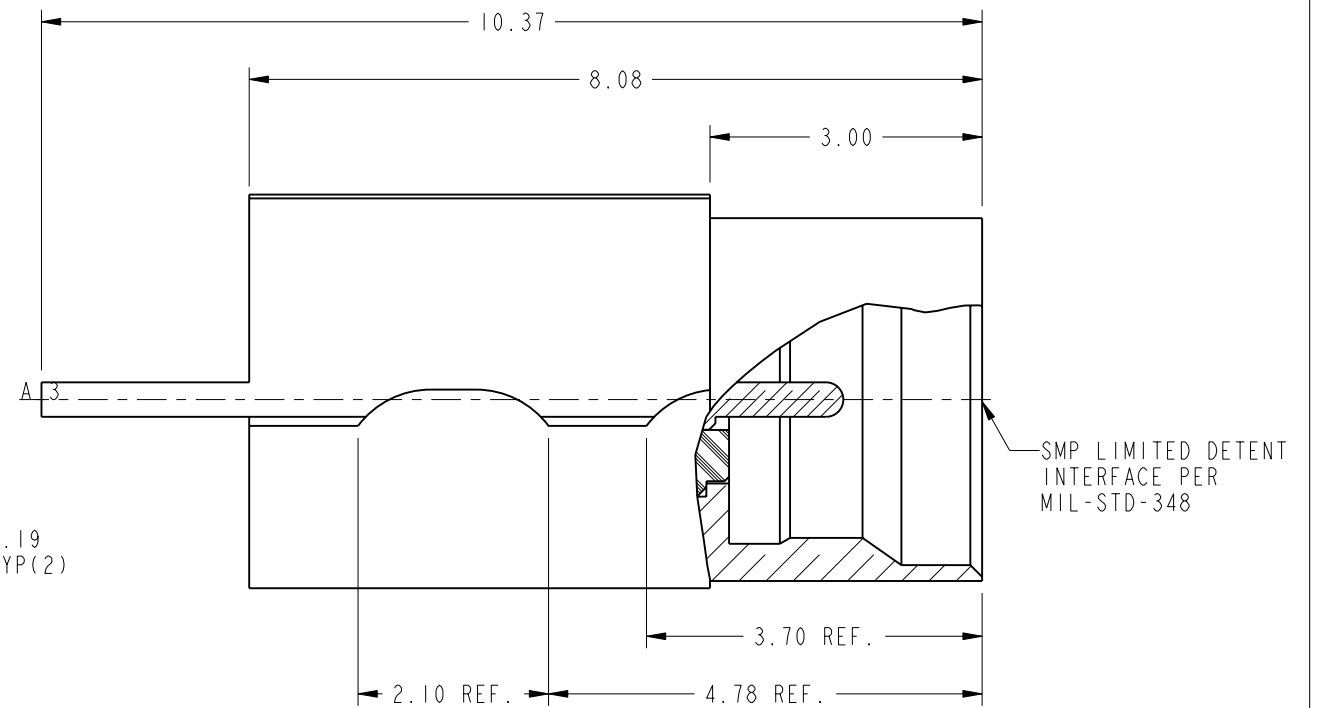
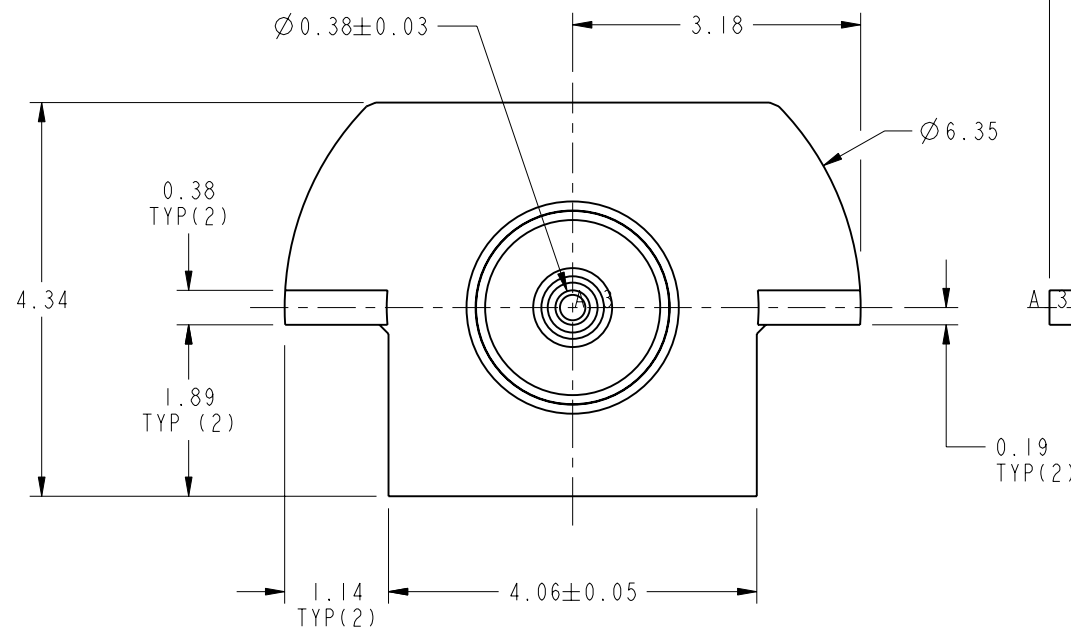
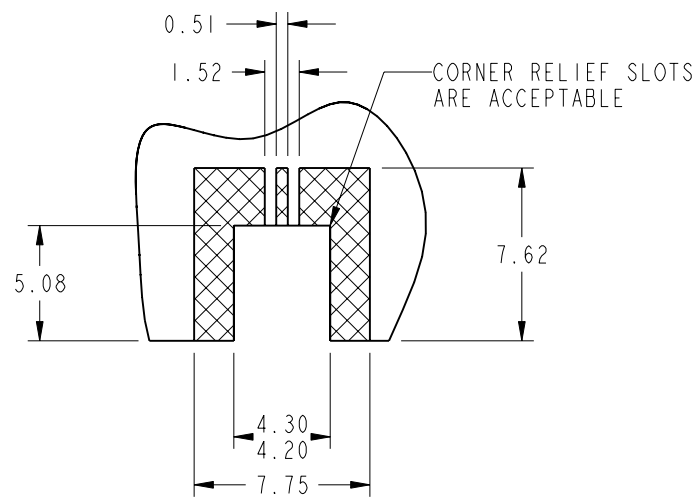
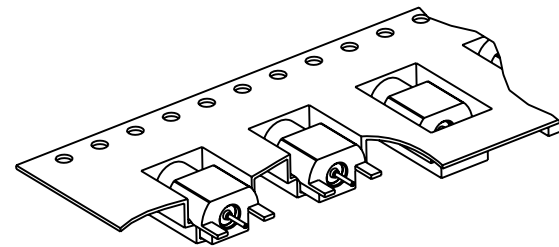
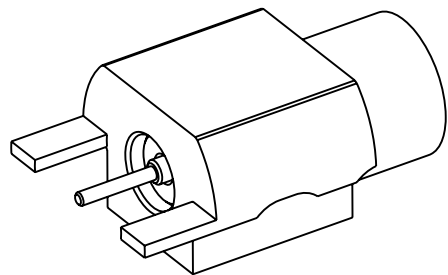
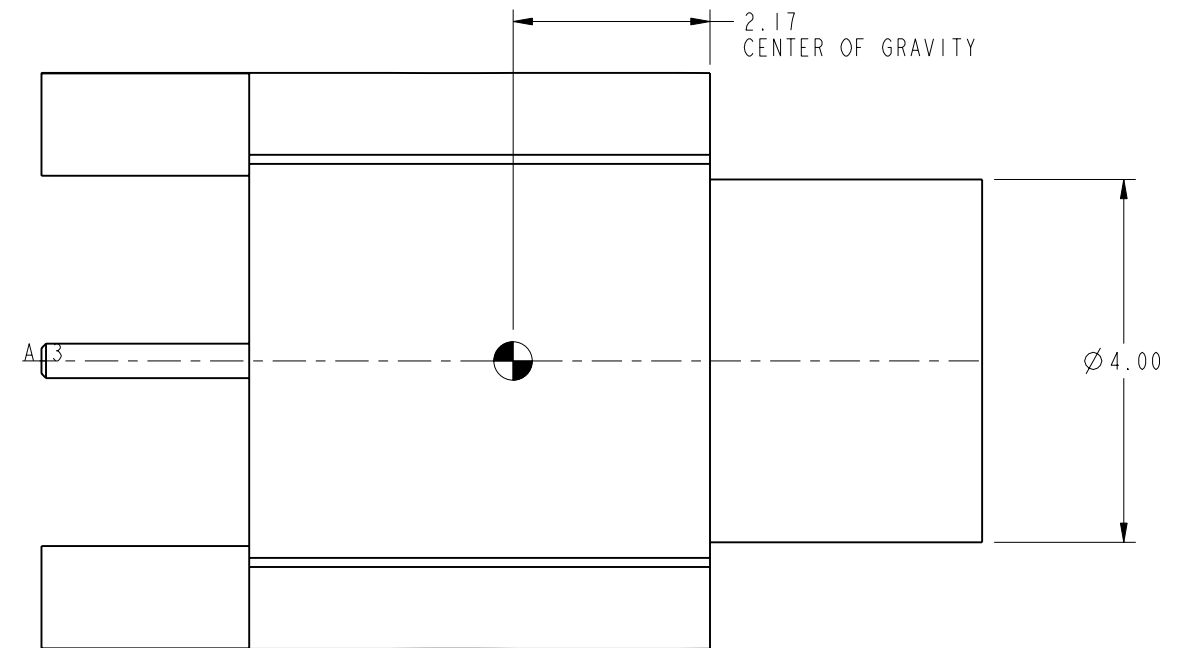
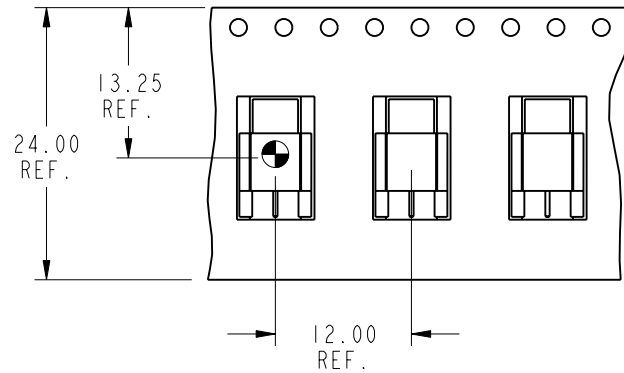
NOTES:

1. MATERIALS AND FINISHES:
 BODY - BERYLLIUM COPPER, GOLD PLATING
 CONTACT - BERYLLIUM COPPER, GOLD PLATING
 INSULATOR - PTFE
2. ELECTRICAL:
 A. IMPEDANCE: 50 OHM
 B. FREQUENCY RANGE: DC - 18 GHz
 C. VSWR: 1.15 FROM DC TO 6 GHz
 1.25 FROM 6 GHz TO 18 GHz
 D. DIELECTRIC WITHSTANDING VOLTAGE: 500 VRMS MIN
3. MECHANICAL:
 A. TEMPERATURE RANGE: -65° C TO +165° C
 B. DURABILITY: 500 CYCLES MIN.
4. : THE CENTER OF GRAVITY.
5. PACKAGING:
 A. TAPE AND REEL: 13" REEL, 1000 PCS PER REEL
 B. TAPE AND REEL TO BE MARKED
 "AMPHENOL RF, SMP-MSLD-PCE-3, AND DATE CODE (YYWW)"

THIRD ANGLE PROJ. 

REVISIONS

| REV | DESCRIPTION | DATE | ECO | APPR |
|-----|-----------------|-----------|-------|------|
| A | RELEASE TO MFG. | 19-Mar-14 | 49876 | RM |



RECOMMENDED PCB CUT OUT AND TRACE

CUSTOMER OUTLINE DRAWING

ALL OTHER SHEETS ARE FOR INTERNAL USE ONLY

UNLESS OTHERWISE SPECIFIED, DIMENSIONS ARE IN METRIC AND TOLERANCES ARE:
 < 0.5mm ± 0.05mm 0.5 - 6mm ± 0.1mm 6 - 30mm ± 0.2mm 30 - 120mm ± 0.3mm ANGLES ± 1°

NOTICE - These drawings, specifications, or other data (1) are, and remain the property of Amphenol corp. (2) must be returned upon request; and (3) are confidential and not to be disclosed to any person other than those to whom they are given by Amphenol Corp. the furnishing of these drawings, specifications, or other data by Amphenol Corp., or to any other person to anyone for any purpose is not to be regarded by implication or otherwise in any manner licensing, granting rights to permitting such holder or any other person to manufacture, use or sell any product, process or design, patented or otherwise, that may in any way be related to or disclosed by said drawings, specifications, or other data.

| | |
|-----------|-----------|
| MATERIAL | SEE NOTES |
| REFERENCE | EAR #6036 |
| FINISH | |

| | | | |
|----------|----------|------|-----------|
| DRAWN | R. MAO | DATE | 10-Mar-14 |
| ENGINEER | T. SMITH | DATE | 15-Oct-13 |
| APPROVED | S. HSIEH | DATE | 19-Mar-14 |
| CAD FILE | | | |

| | |
|--|--------------|
| TITLE | |
| ASSEMBLY, SMP JACK LIMITED DETENT EDGE MOUNT | |
| SCALE: 12.0:1.0 | SHEET 2 OF 2 |
| DWG SIZE B | REV A |

| | |
|----------------------------|--|
| Amphenol RF | |
| www.amphenolrf.com | |
| DRAWING NO. SMP-MSLD-PCE-3 | |
| ITEM NO. SMP-MSLD-PCE-3 | |
| PART NO. SMP-MSLD-PCE-3 | |