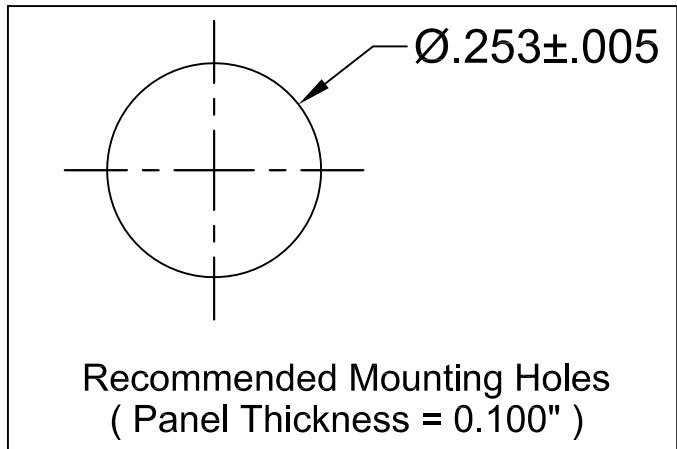
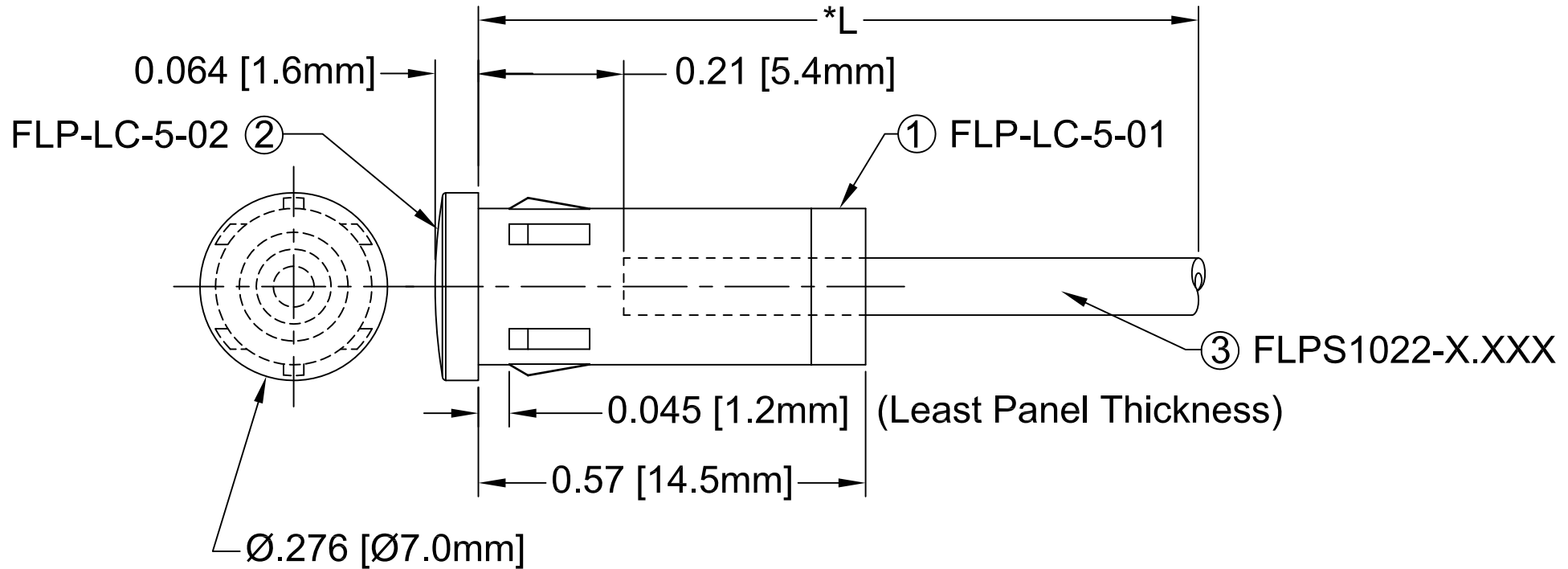


| ITEM | Q'TY | PART NUMBER    | PART DESCRIPTION                        |
|------|------|----------------|---|
| 1    | 1    | FLP-LC-5-01    | HOLDER CAP, FLEXIBLE LIGHT-PIPE, INSERT |
| 2    | 1    | FLP-LC-5-02    | HOLDER CAP, FLEXIBLE LIGHT-PIPE, BODY   |
| 3    | 1    | FLPS1022-X.XXX | LIGHT PIPE CABLE, CUT LENGTH IN INCHES  |

| REV. | DESCRIPTION                     | DATE     | APPROVED |
|------|---------------------------------|----------|----------|
| C    | Engineering Update w/o Changes  | 03/05/04 | M. C.    |
| D    | Dimensioning Update w/o Changes | 01/05/05 | M. C.    |
| E    | FLP Length Update.              | 10/18/05 | M. C.    |
| F    | FLP Length Clarification.       | 01/11/06 | M. C.    |
| G    | Updated Fiber in BOM            | 11/16/12 | T. Y.    |



| " L "              | Tolerance |
|--------------------|-----------|
| 0.750" ~ 16.000"   | ±0.050"   |
| 16.100" ~ 40.000"  | ±0.150"   |
| 40.100" ~ 80.000"  | ±0.300"   |
| 80.100" ~ 3,940.0" | ±0.5%     |

\*NOTE:  
ALLOWABLE CUT LENGTH IS UP TO 3 DECIMAL PLACES.

|  |                          |   |  |
|--|--------------------------|---|--|
| STANDARD TOLERANCE<br>( UNLESS OTHERWISE SPECIFIED ) |                          | <b>BIVAR</b> <sup>®</sup><br>4 THOMAS, IRVINE, CA. 92618<br>TEL: (949) 951-8808 FAX: (949) 951-3974 |  |
| DECIMALS   | ANGULAR                  |   |  |
| .X ±.1   | X° ± 1°                  |   | TITLE: LENS CAP / FLP ASSEMBLY,<br>7mm ROUND |
| .XX ±.02   |                          |   | PART NO: FLP5-XX.X                           |
| .XXX ±.010   |                          |   | REVISION: G                                  |
| DESIGNED:<br><b>Shane Irving</b>                     | DATE:<br><b>05/22/02</b> | CAGE CODE : 32559   | SHEET # 1 OF 1                               |
| CHECKED:<br><b>M. Chen</b>                           | DATE:<br><b>05/22/02</b> | CAD GENERATED DOCUMENT, DO NOT MEASURE DRAWING.   |  |