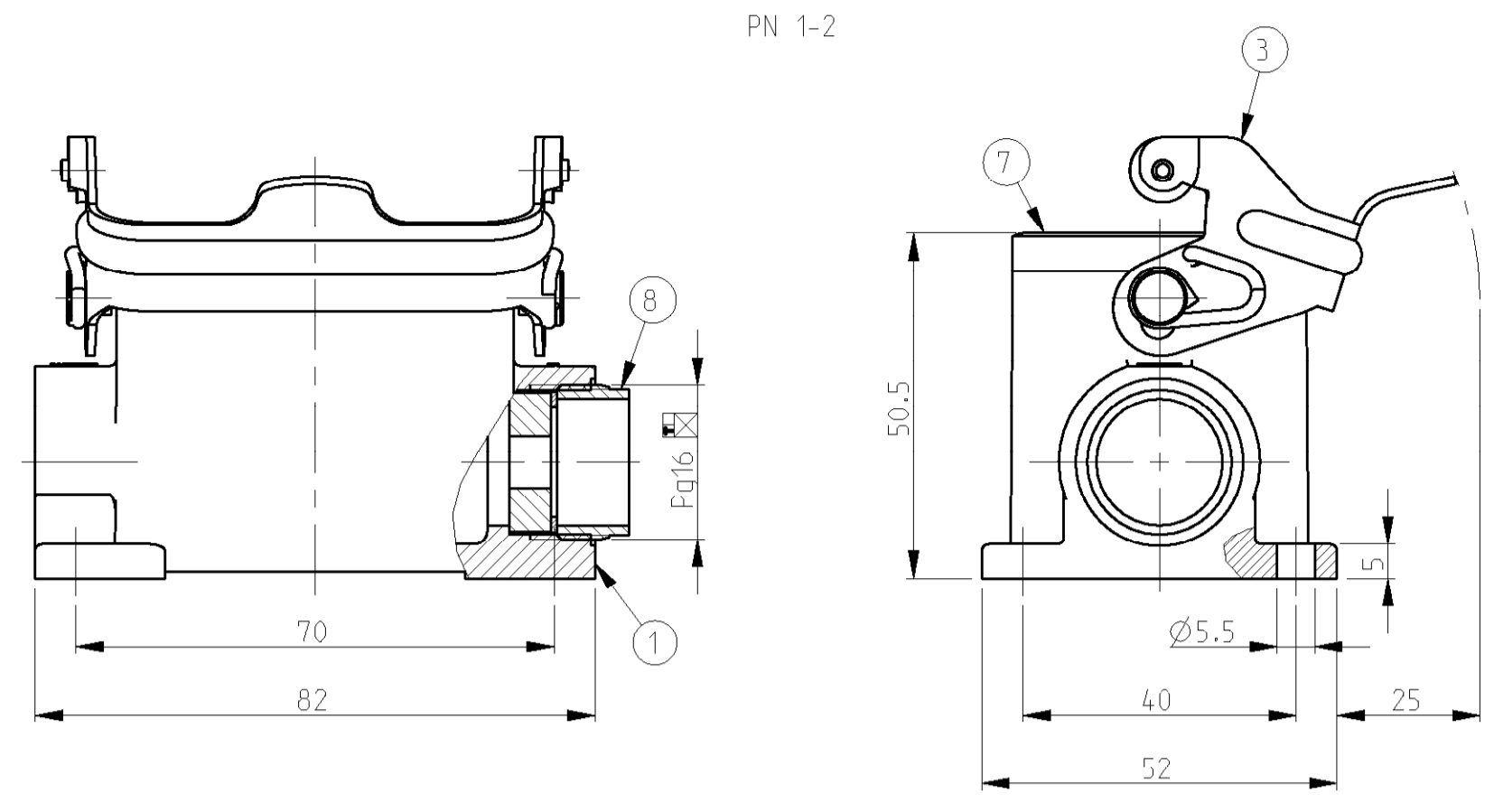
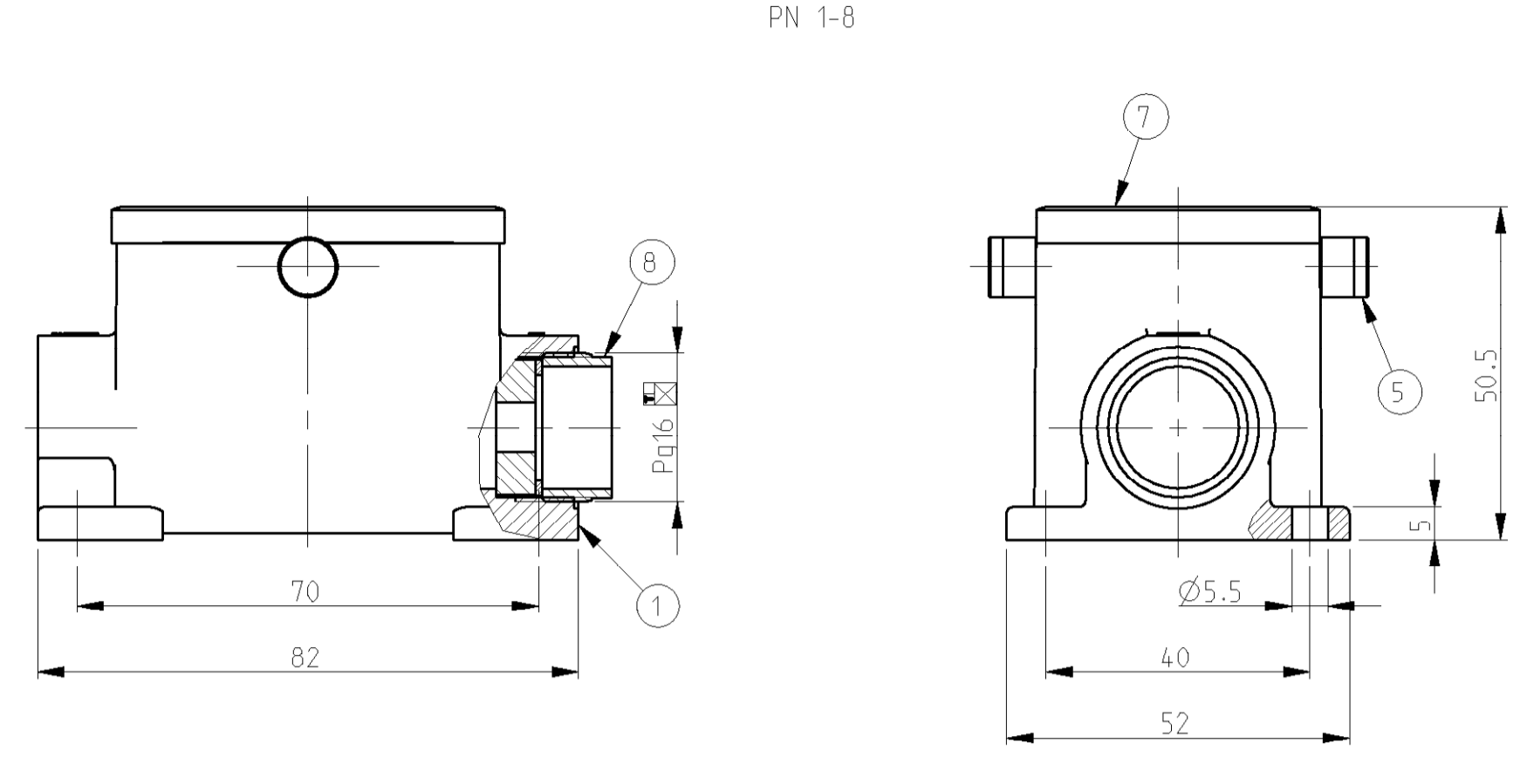


LOC	DIST	REVISIONS					
		#	LYR	DESCRIPTION	DATE	DWN	APVD
A1	-	A3		Released as per ECR-08-018916	29 July 2008	SP	TS
		A4		REVISED PER ECO-09-027197	29 JAN 10	KK	HMR
		A5		REVISED PER ECR-18-013746	10 APR 2018	SR	MKO

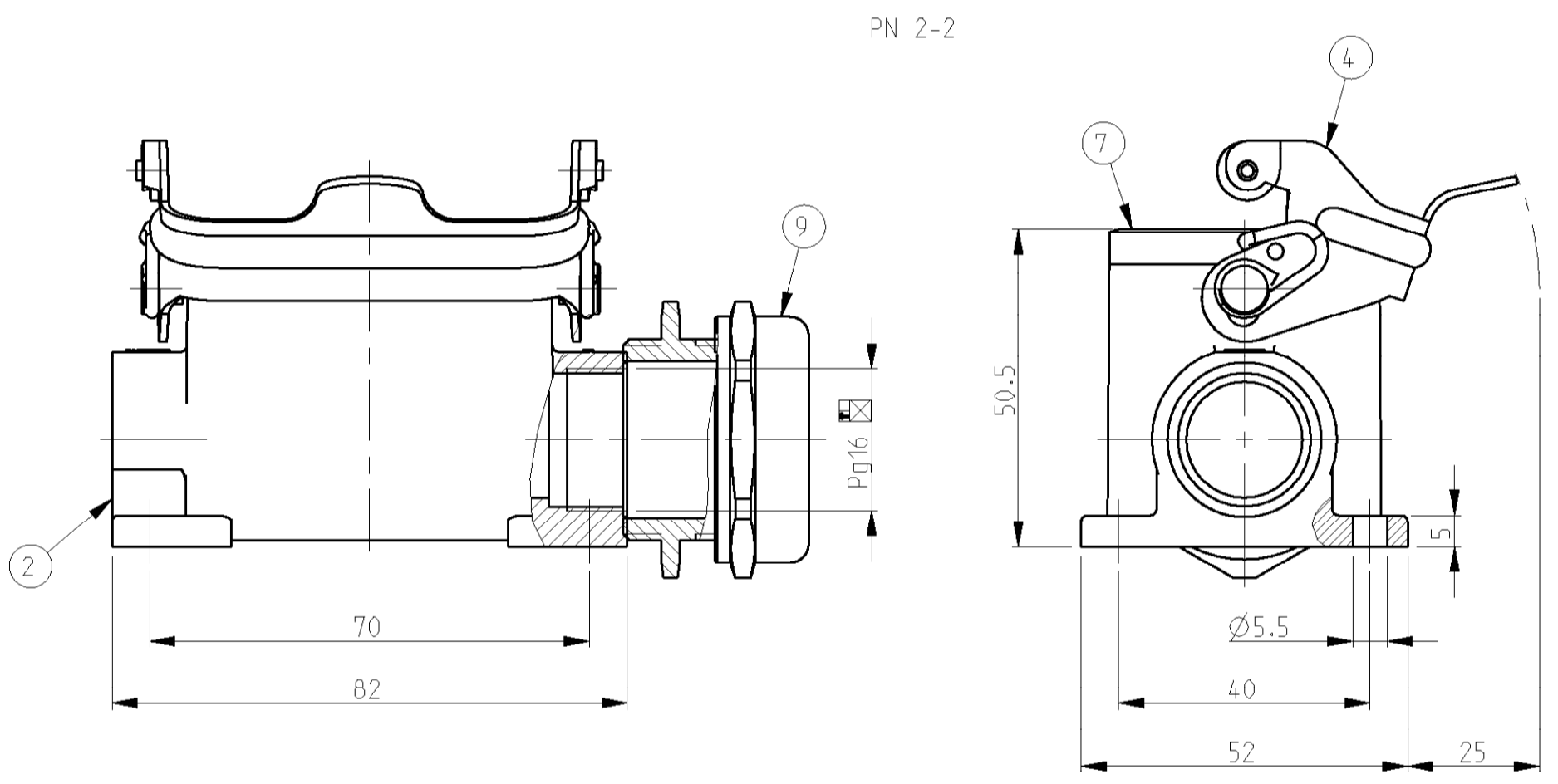
PN 1-2



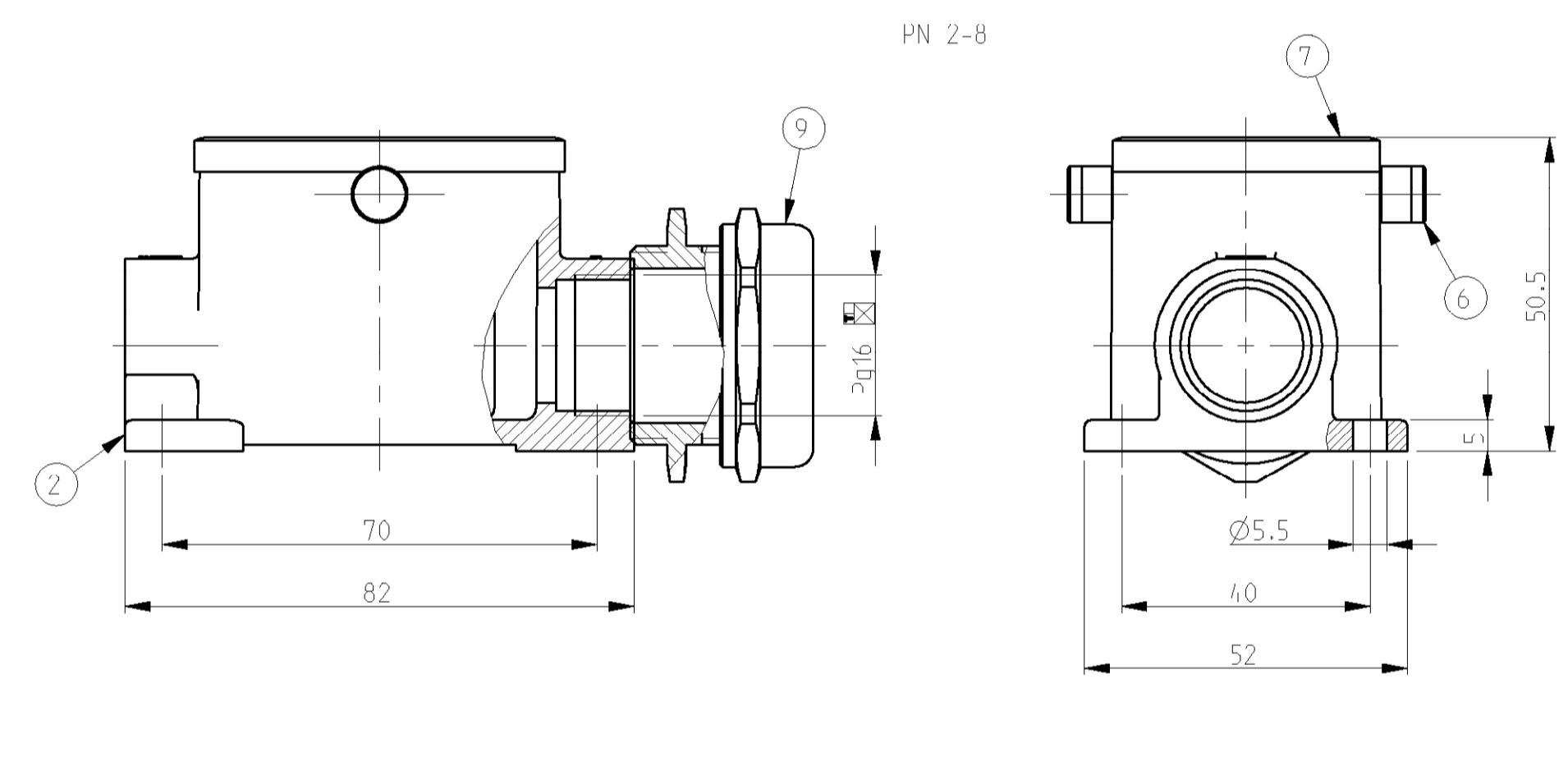
PN 1-8



PN 2-2

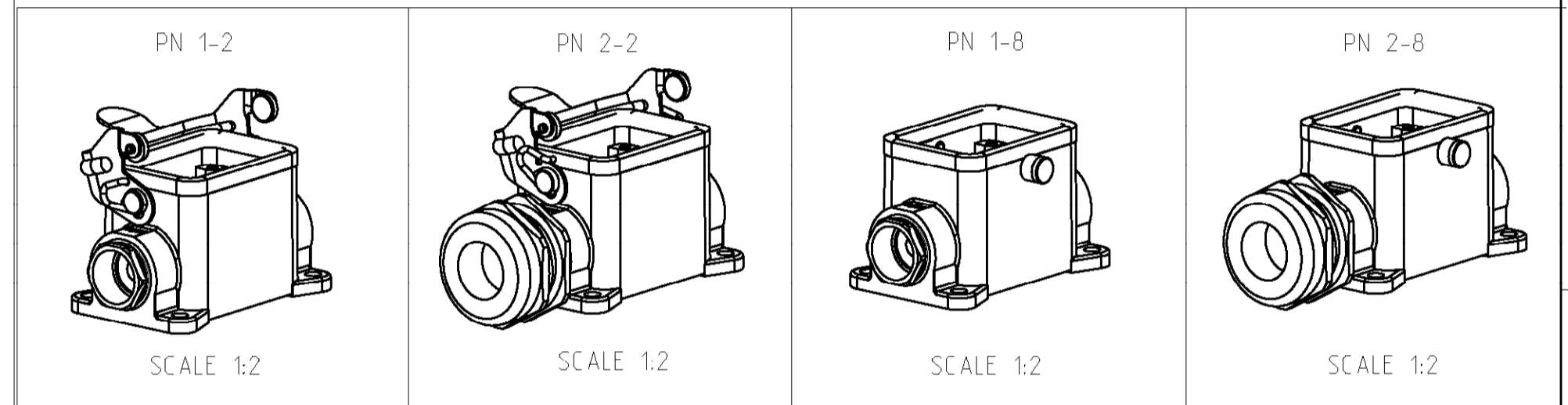


PN 2-8



NOTES.

- 1 Material:Housing:Aluminium Diecasting Alloy  
Seals:Neoprene
- 2 Surface:Varnish grey  
-Aluminium Oxide +Varnish Black
- 4 Packaging  
Quantity 5 Pieces in a box
- ⚠** OBSOLETE PARTS: OBSOLETE CIS STREAMLINING PER D.RENAUD/D.SINISI



QTY	ITEM NO	DESCRIPTION	MATERIAL	SURFACE	COLOR	ITEM NO	REMARKS			
1	1	Gland Fitting Pg16	Brass	Nickel plated		9				
1	1	Cable fitting Pg16	Brass	Nickel plated		8				
1	1	Profile seal	Neoprene		Black	7				
2	2	ZB-Clip bolt	Stainless steel			6				
1	2	ZB-Clip bolt	Steel	Zinc plated	Blue	5				
1	1	LB-Side clip finished product	Stainless steel			4				
1	1	LB-Side clip finished product	Steel	Zinc plated	Blue	3				
1	1	Surface mounted housing side entry HB6.1.16	Aluminium	Aluminium oxide	Black RAL 9005	2				
1	1	Surface mounted housing side entry HB6.1.16	Aluminium		Grey RAI 7001	1				
6-2	2-8	1-8	2-2	1-2	DESCRIPTION	MATERIAL	SURFACE	COLOR	ITEM NO	REMARKS
ORDERING TEXT										
HB-6.SG-LB.1.16										
HB-K.6.SG-LB.1.16										
HB-Z.6.SG-ZVGR.1.16										
HB-R.2.6.SG-ZVGR.1.16										
HB-6.SG-LB.1.16-S0										

**STE** Connectivity  
 Surface mounted housing side entry  
 HB.6.1.16  
 DIMENSIONS: mm  
 TOLERANCES UNLESS OTHERWISE SPECIFIED:  
 0 PLC ±0.1  
 1 PLC ±0.2  
 2 PLC ±0.3  
 3 PLC ±0.4  
 4 PLC ±0.5  
 MATERIAL: -  
 FINISH: -  
 DWG: Schneider 05.03.1999  
 CHK: Schweiger 05.03.1999  
 APVD: -  
 PRODUCT SPEC: -  
 APPLICATION SPEC: -  
 WEIGHT: -  
 CUSTOMER DRAWING: -  
 SIZE: A1  
 CAGE CODE: 00779  
 DRAWING NO: 1102248  
 SCALE: 1:1  
 SHEET: 1 OF 1  
 REV: A5