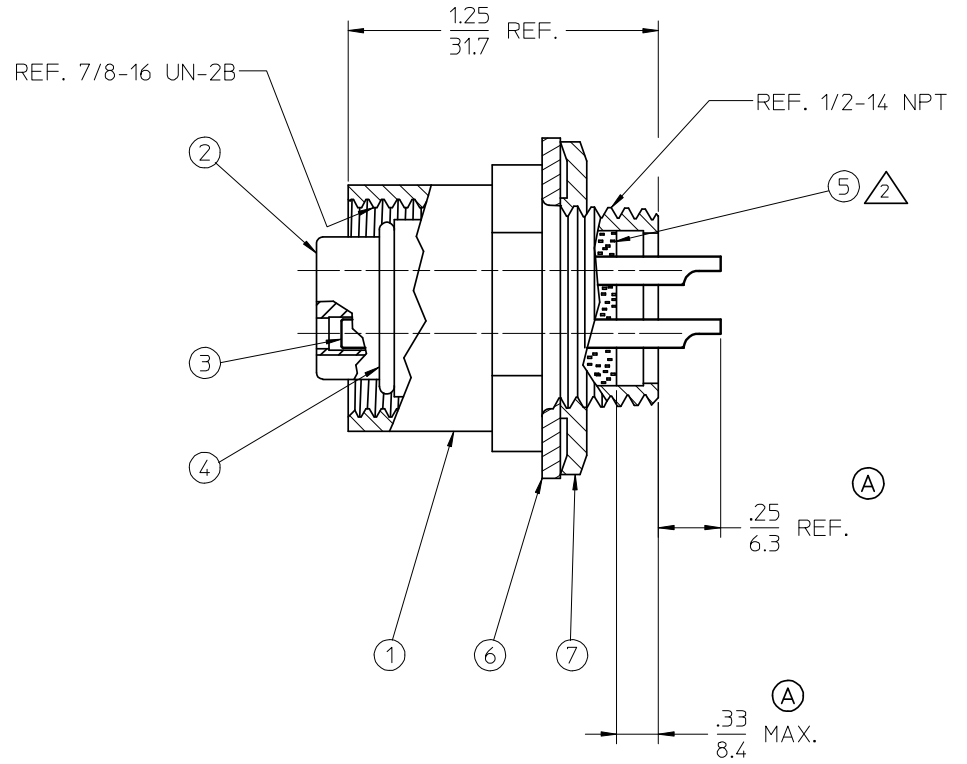
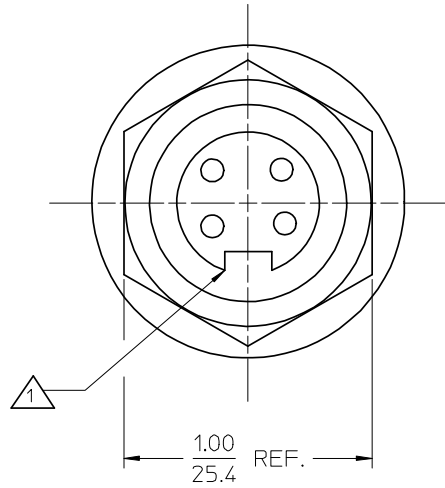


REF. THIS DRAWING SUPERSEDES SD-84854-9102 REV-D1



NOTES: (A)

- 1 INSERT KEY IS TO BE ORIENTATED TO HEX AS SHOWN WITHIN 10°
- 2 EPOXY IS TO COMPLETELY COVER REAR OF INSERT TO DIMENSION SHOWN
- 3. RECOMMENDED MOUNTING HOLE DIA: .875/.844 [ 22.22/21.44 ]
- 4. ASSEMBLY IS RoHS COMPLIANT BY EXEMPTION (\*)

ITEM	QTY	DESCRIPTION	MATERIAL	FINISH
7	1	LOCKNUT, 1/2-14 NPT	STEEL	ZINC PLATED
6	1	PANEL GASKET	NEPORENE	BLACK
5	A/R	POTTING COMPOUND	EPOXY	
4	1	O-RING	BUNA	BLACK
3	4	CONTACT SOCKET	Cu ALLOY *	GOLD
2	2	SOCKET INSERT	PVC	GRAY
1	1	RECEPTACLE SHELL	ALUMINUM	BLACK ANODIZE

REDRAWN  
 EC NO: WNA2009-0031  
 DRAWN BY: DRWINRSTONE 2008/07/17  
 CHKD:  
 APPR: JFURPHY 2008/08/18  
 REV DESCRIPTION

QUALITY SYMBOLS  
 ▽=0  
 ▽=0

GENERAL TOLERANCES (UNLESS SPECIFIED)

	mm	INCH
4 PLACES	± ---	± ---
3 PLACES	± ---	± ---
2 PLACES	± ---	± .010
1 PLACE	± 0.3	± ---
ANGULAR ±1/2°		

DRAFT WHERE APPLICABLE MUST REMAIN WITHIN DIMENSIONS

DIMENSION STYLE IN/MM  
 DRAWN BY DATE  
 R. STONE 2008/07/14  
 CHECKED BY DATE  
 K. JOZWIK 2008/07/16  
 APPROVED BY DATE  
 J. MURPHY 2008/07/18  
 MATERIAL NO. 848549102

SCALE 4:1  
 DESIGN UNITS INCH  
 THIRD ANGLE PROJECTION  
 MOLEX INCORPORATED  
 DOCUMENT NO. SD-84854-021

MINI-C, RECEPTACLE FEMALE, 4 POLE SOLDER CUP  
 MOLEX INCORPORATED  
 SHEET NO. 1 OF 1  
 THIS DRAWING CONTAINS INFORMATION THAT IS PROPRIETARY TO MOLEX INCORPORATED AND SHOULD NOT BE USED WITHOUT WRITTEN PERMISSION