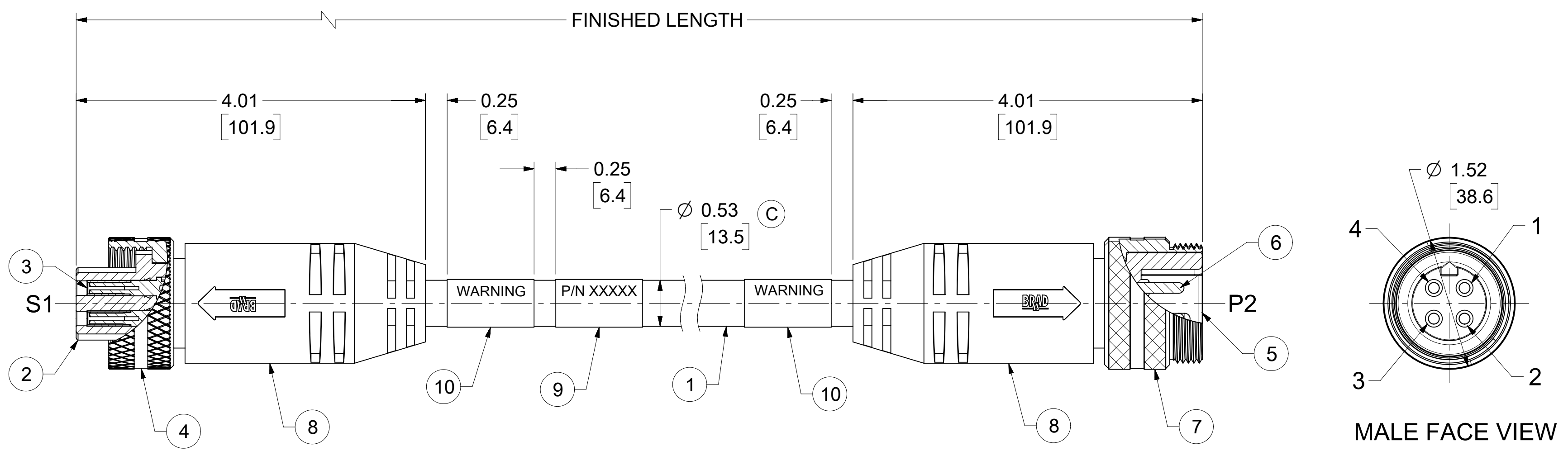
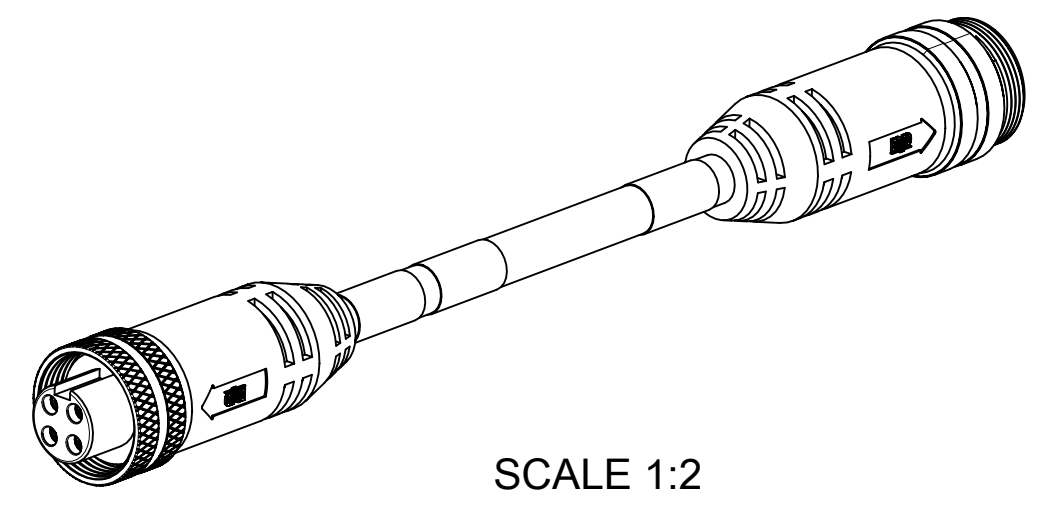


| MATERIAL NO. | ENGINEERING NO. | FINISHED LENGTH       |
|--------------|-----------------|-----------------------|
| 1300640453   | CC4030K17M010G  | 1M (3 FT 3.37 IN)     |
| 1300640515   | CC4030K17M650G  | 65M (213 FT 3.06 IN)  |
| 1300642118   | CC4030K17T130G  | 130M (426 FT 6.11 IN) |

**C** CABLE LENGTH TOLERANCES

|                          |                         |
|--------------------------|-------------------------|
| <.3M [1FT]:              | +19mm-0 [ +.75in-0]     |
| .3 - .9M [1 - 3FT]:      | +44.5mm-0 [+1.75in-0]   |
| .9 - 1.8M [3 - 6FT]:     | +55.6mm-0 [+2.19in-0]   |
| 1.8 - 3.7M [6 - 12FT]:   | +88.9mm-0 [+3.50in-0]   |
| 3.7 - 7.3M [12 - 24FT]:  | +165.1mm-0 [+6.50in-0]  |
| 7.3-14.6M [24 - 48FT]:   | +317.5mm-0 [+12.50in-0] |
| 14.6 - 30.5M [48-100FT]: | +622.3mm-0 [+24.50in-0] |
| OVER 30M [100FT]         | +2% OF FINISHED LENGTH  |



- NOTES:**
1. MATERIAL: AS NOTED
  2. FINISH: AS NOTED
  3. ELECTRICAL:
    - VOLTAGE: 500V PER IEC60664 **C**
    - 600V PER UL2237
    - CURRENT: 32A
  4. TEMP RATING: -20°C TO +90°C
  5. PROTECTION: IP67 (WHEN MATED)
  6. UL LISTED FILE: 258922
  7. COUPLING THREAD: 1 3/8"-16 UN
  8. ALL DIMS ARE FOR REFERENCE UNLESS TOLERANCED OR NOTED OTHERWISE

**WIRING DIAGRAM**

| S1 |              | P2 |  |
|----|--------------|----|--|
| 1  | BLACK #1     | 1  |  |
| 2  | GREEN/YELLOW | 2  |  |
| 3  | BLACK #3     | 3  |  |
| 4  | BLACK #2     | 4  |  |

**PART NUMBER LEGEND **C****

**CC4030K17M010G**

FINISHED LENGTH  
 M001 = 0.1 METER  
 M010 = 1.0 METER  
 M100 = 10.0 METER  
 T100 = 100 METER

| ITEM | DESCRIPTION         | MATERIAL  | FINISH           |
|------|---------------------|-----------|------------------|
| 10   | WARNING LABEL       | VINYL     | ORANGE/BLACK     |
| 9    | WRAP LABEL          | VINYL     | BLACK/YELLOW     |
| 8    | OVERMOLD            | TPE       | BLACK            |
| 7    | MALE COUPLING NUT   | ALUMINIUM | CLEAR ANODIZE    |
| 6    | PIN CONTACT         | Cu ALLOY  | GOLD OVER NICKEL |
| 5    | MALE INSERT         | TPE       | BLACK            |
| 4    | FEMALE COUPLING NUT | ALUMINIUM | CLEAR ANODIZE    |
| 3    | SOCKET CONTACT      | Cu ALLOY  | GOLD OVER NICKEL |
| 2    | FEMALE INSERT       | TPE       | BLACK            |
| 1    | CABLE, #10-4, TC-ER | TPE       | BLACK            |

|                    |   |  |  |                                |
|--------------------|---|--|--|--------------------------------|
| FUNCTIONAL SYMBOLS | THIS DRAWING CONTAINS INFORMATION THAT IS PROPRIETARY TO MOLEX ELECTRONIC TECHNOLOGIES, LLC AND SHOULD NOT BE USED WITHOUT WRITTEN PERMISSION |  | CURRENT REV DESC: UPDATED ITEM #2.5,8 WERE PVC, 9&10, WERE PLASTIC FILM, PART NO. LEGEND ADDED MATERIAL TABLE, TOL. TABLE, IEC VOLT & CABLE DIA. |                                |
|                    | DIMENSION UNITS   | SCALE  | EC NO: 709714  |                                |
| $\frac{F}{A} = 0$  | INCH/MM   | 1:1  | DRWN: VHANDI   | 2020/05/29                     |
| $\frac{F}{C} = 0$  | GENERAL TOLERANCES (UNLESS SPECIFIED)   |  | CHK'D: RSTONE  | 2022/06/08                     |
| $\frac{F}{P} = 0$  | 4 PLACES ±  |  | APPR: BWOODMAN   | 2022/06/14                     |
| DIVISIONAL SYMBOLS | 3 PLACES ±  |  | INITIAL REVISION:  |                                |
|                    | 2 PLACES ±  |  | DRWN: BRUPERT  | 2011/11/09                     |
| 1 PLACE ±          |   | ANGULAR TOL ± °                                      | APPR: BWOODMAN   | 2014/09/04                     |
| 0 PLACES ±         |   | DRAFT WHERE APPLICABLE MUST REMAIN WITHIN DIMENSIONS | THIRD ANGLE PROJECTION   | DRAWING SERIES                 |
| C-SIZE             |   | 130064   | MATERIAL NUMBER  | CUSTOMER                       |
| SEE TABLE          |   | GENERAL MARKET                                       | DOCUMENT NUMBER  | DOC TYPE   DOC PART   REVISION |
| SD-130064-006      |   | PSD  | 001  | C                              |
| SHEET NUMBER       |   | 1 OF 1   |  |                                |