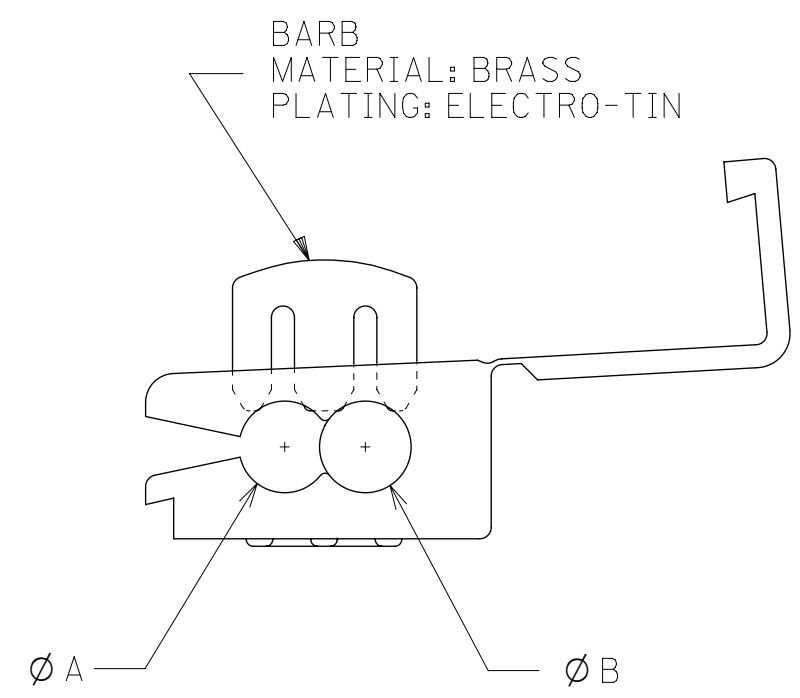
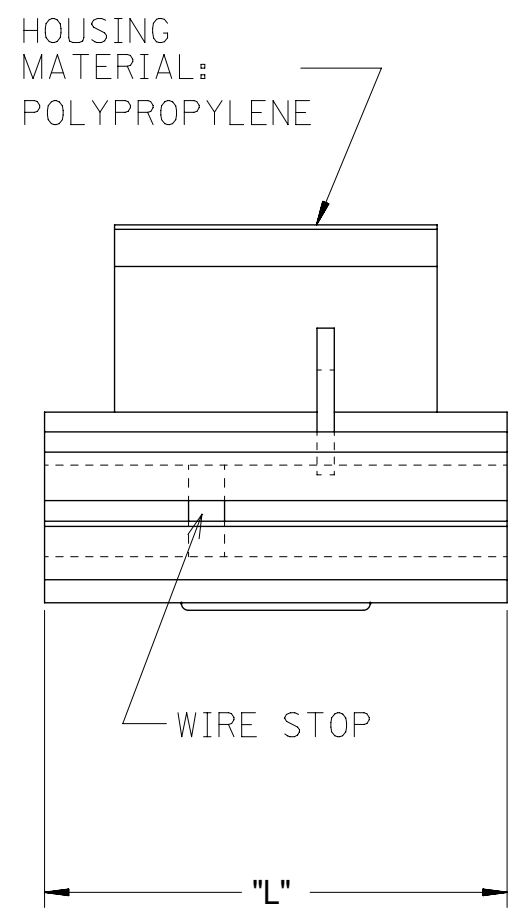
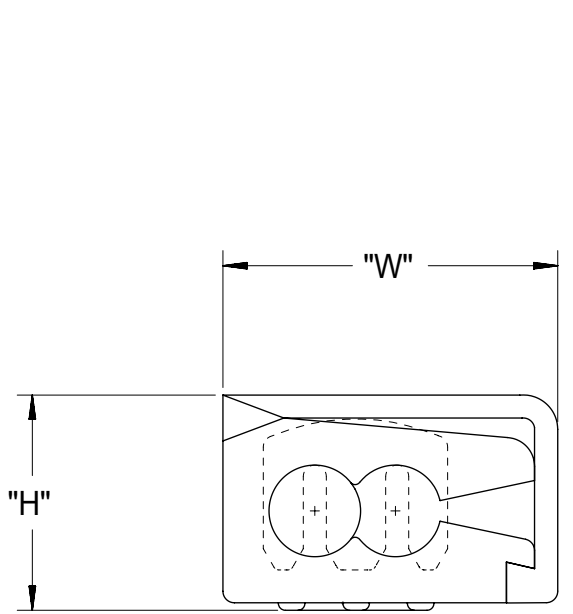
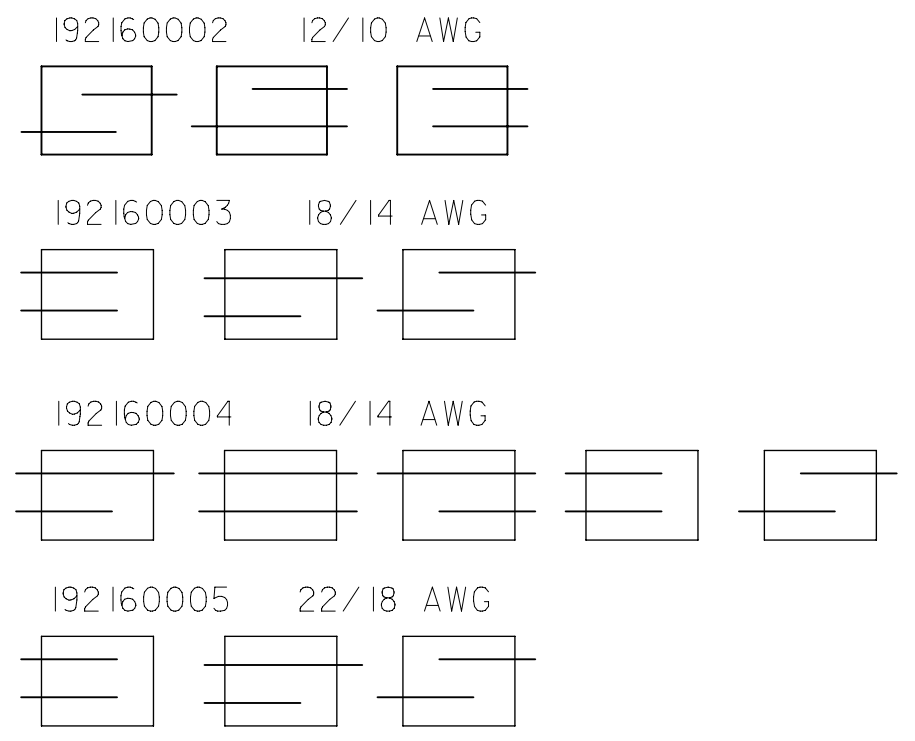


MATERIAL NUMBER	ALTERNATE NUMBER	WIRE SIZE	WIRE STOP	COLOR	"H" MAX	"W" MAX	"L" MAX	"A" MIN	"B" MIN
192160002	ML-1210	12-10	YES	YELLOW	.52/(13.2)	.74/(18.8)	.80/(20.3)	.160/(4.06)	.185/(4.70)
192160003	ML-1814 WS B2	18-14	YES	BLUE	.42/(10.7)	.55/(13.8)	.79/(20.1)	.125/(3.17)	.130/(3.30)
192160004	ML-1814	18-14	NO	WHITE	.42/(10.7)	.55/(13.8)	.79/(20.1)	.125/(3.17)	.130/(3.30)
192160005	ML-2218	22-18	YES	RED	.42/(10.7)	.55/(13.8)	.79/(20.1)	.120/(3.04)	.120/(3.04)



POSSIBLE WIRE CONFIGURATIONS



NOTE:
PARTS ARE ROHS COMPLIANT.

FUNCTIONAL SYMBOLS FA = 0 FE = 0 FP = 0	THIS DRAWING CONTAINS INFORMATION THAT IS PROPRIETARY TO MOLEX ELECTRONIC TECHNOLOGIES, LLC AND SHOULD NOT BE USED WITHOUT WRITTEN PERMISSION		CURRENT REV DESC: ENG P/N: ML-1814 WS WAS ML-1614		molex	
	GENERAL TOLERANCES (UNLESS SPECIFIED)		EC NO: 644192			
	DIMENSION UNITS		SCALE		PRODUCT CUSTOMER DRAWING	
	IN/MM		NTS		DOCUMENT NUMBER	
4 PLACES ±		MM		SD-19216-003		
3 PLACES ±		INCH		DOC TYPE		
2 PLACES ± 0.13		± 0.01		PSD		
1 PLACE ± 0.25		±		DOC PART		
0 PLACES ±		±		001		
ANGULAR TOL ± °		THIRD ANGLE PROJECTION		REVISION		
DRAFT WHERE APPLICABLE MUST REMAIN WITHIN DIMENSIONS		DRAWING		B2		
		SERIES		MATERIAL NUMBER		
		B-SIZE		SEE CHART		
		19216		CUSTOMER		
				GENERAL MARKET		
				SHEET NUMBER		
				1 OF 1		

DOCUMENT STATUS	P1	RELEASE DATE	2020/08/27	18:15:51
-----------------	----	--------------	------------	----------