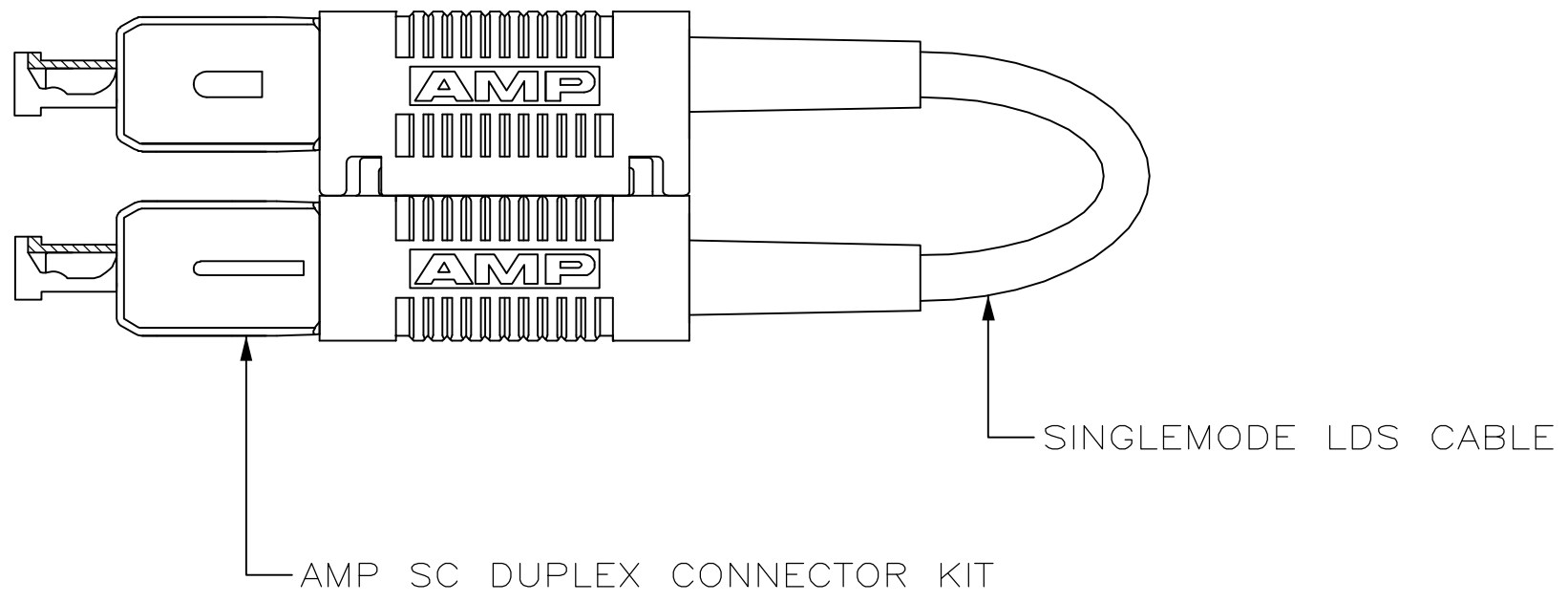


THIS DRAWING IS UNPUBLISHED. RELEASED FOR PUBLICATION
 © COPYRIGHT - BY TYCO ELECTRONICS CORPORATION. ALL RIGHTS RESERVED.

LOC	DIST	REVISIONS					
CE	16	P	LTR	DESCRIPTION	DATE	DWN	APVD
			A	RELEASED PER NPR	02 FEB 06	CSV	JD

1. 1.5 dB MAX INSERTION LOSS.
2. PRODUCT AND PROCESSING MUST MEET REQUIREMENTS OF THE TYCO ELECTRONICS STANDARD 230-702



5504883-1
 PART NUMBER

THIS DRAWING IS A CONTROLLED DOCUMENT.		DWN	C.S.VASU	02 FEB 06	 Tyco Electronics Corporation Harrisburg, Pa 17105-3608
DIMENSIONS: mm		CHK	J.DUNCAN	02 FEB 06	
		APVD	J.DUNCAN	02 FEB 06	
TOLERANCES UNLESS OTHERWISE SPECIFIED:		PRODUCT SPEC		NAME	
0 PLC ± -		-		LOOPBACK ASSEMBLY, FIBER OPTIC, SINGLEMODE, SC DUPLEX, OPTIMATE	
1 PLC ± -		APPLICATION SPEC		-	
2 PLC ± -		-		SIZE	A3
3 PLC ± -		-		CAGE CODE	00779
4 PLC ± -		-		DRAWING NO	C-5504883
ANGLES ± -		-		RESTRICTED TO	-
MATERIAL -		FINISH -		WEIGHT -	
-		-		CUSTOMER DRAWING	
-		-		SCALE	1:1
-		-		SHEET	1 OF 1
-		-		REV	A