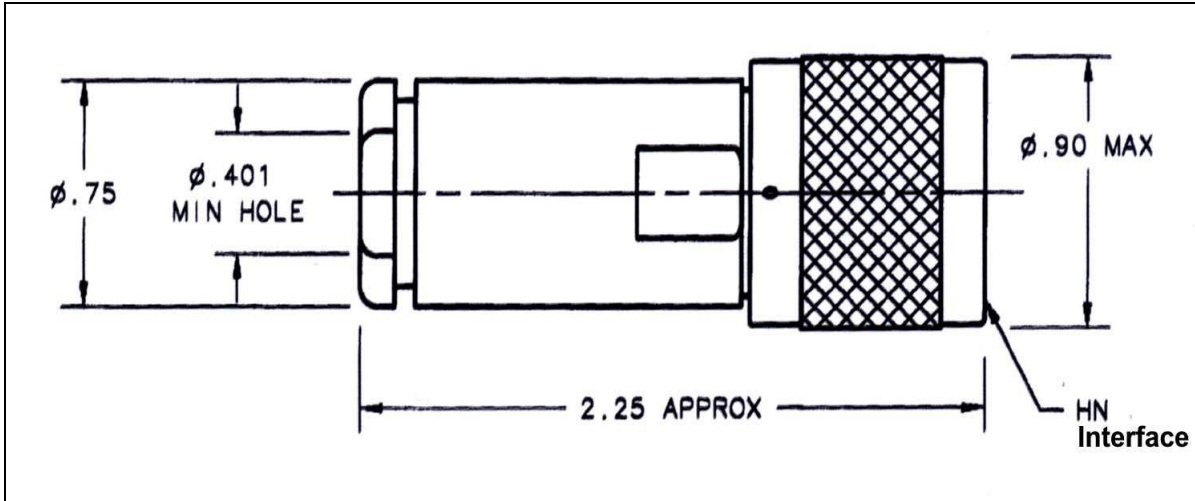


LTR	DESCRIPTION	DATE	BY
-	Released	11/22/03	JCL



I. MATERIALS & FINISHES

- center contact: Silver Plated Brass
- outer contact: Silver Plated Beryllium Copper
- body: Silver Plated Brass
- dielectric: Teflon[®] PTFE
- gasket: Silicone Rubber
- shrink sleeve: Adhesive Lined Polyolefin
- attachment: braid clamp

II. ELECTRICAL PROPERTIES

- impedance: 50 ohms
- working voltage: 5000 vrms (max)
- vswr: 1.25:1 (max) up to 1 GHz
- insertion loss: 0.10 x \sqrt{F} ghz

Unless otherwise specified, dimensions are in inches. Tolerances are applicable when specified.

These drawings and specifications contain proprietary information which is the property of Times Microwave Systems.

Approvals		
Drawn	JCL	11/22/03

TIMES MICROWAVE SYSTEMS
 Wallingford, CT 06492
 (203) 949-8400; (203) 949-8423.Fax
 www.timesmicrowave.com

TC-400-HNM
 Type-HN male plug
 for LMR-400 Cable

Size A	CAGE CODE 68999	Drawing No.: 3190-923
--------	---------------------------	---------------------------------

Scale: NA	Rev. (-)	Sheet: 1 of 1
-----------	----------	---------------