

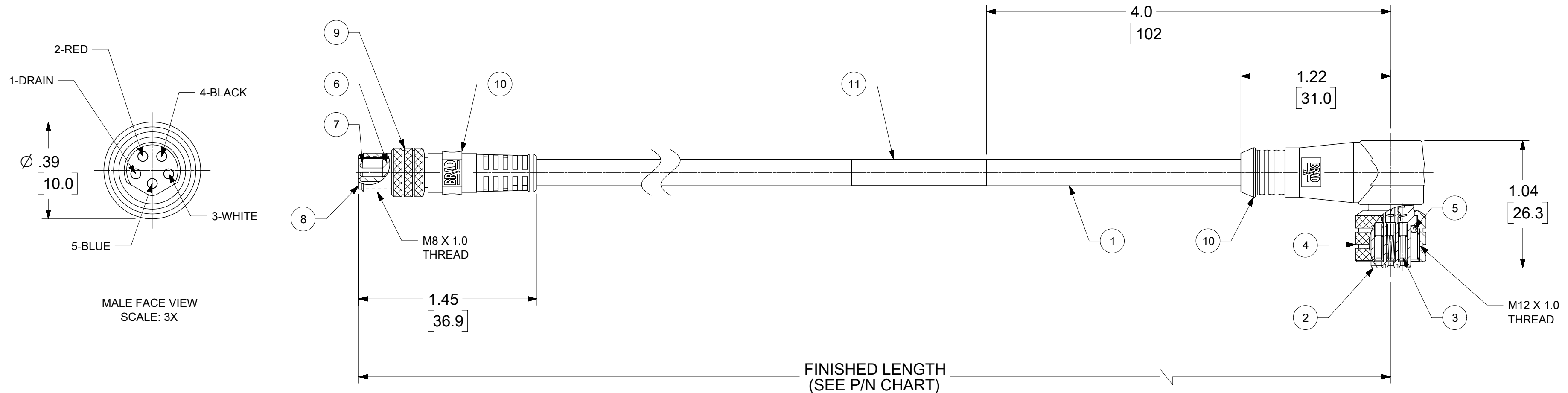
PART NO.	ENG. NO.	FINISHED LENGTH
1300300001	845031D12M030	9FT 10IN [3.0M]
1300300032	845031D12M005	1FT 8IN [0.5M]
1300300041	845031D12M010	3FT 3IN [1.0M]

845031D12M030

LENGTH
M001 = .1 METERS
M010 = 1.0 METERS
M100 = 10 METERS

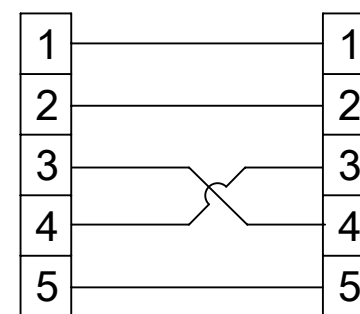
CABLE LENGTH TOLERANCES	
>.3M [1FT]:	+19mm-0 [+ .75in-0]
.3 - .9M [1 - 3FT]:	+44.5mm-0 [+1.75in-0]
.9 - 1.8M [3 - 6FT]:	+55.6mm-0 [+2.19in-0]
1.8 - 3.7M [6 - 12FT]:	+88.9mm-0 [+3.50in-0]
3.7 - 7.3M [12 - 24FT]:	+165.1mm-0 [+6.50in-0]
7.3-14.6M [24 - 48FT]:	+317.5mm-0 [+12.50in-0]
14.6 - 30.5M [48-100FT]:	+622.3mm-0 [+24.50in-0]
OVER 30M [100FT]	+2% OF FINISHED LENGTH

PART NUMBER MATRIX



- NOTES:
1. MATERIAL: AS NOTED
 2. FINISH: AS NOTED
 3. ELECTRICAL:
VOLTAGE; 60VAC, 75VDC
CURRENT: 2A
 4. TEMP RATING: -25°TO +80°C
 5. PROTECTION: IP67 (WHEN MATED)
 6. COUPLING THREAD: AS NOTED
 7. ALL DIMS ARE FOR REFERENCE UNLESS TOLERANCED OR NOTED OTHERWISE

WIRE DIAGRAM



ITEM	DESCRIPTION	MATERIAL	FINISH
11	WRAP LABEL	VINYL	BLACK/YELLOW
10	OVERMOLDS	TPC	GRAY
9	M8 COUPLING NUT, MALE	BRASS	NICKEL PLATED
8	SLEEVE	Cu ALLOY	NICKEL PLATED
7	CONTACT PIN	Cu ALLOY	GOLD PLATES
6	M8 INSERT, 5P MALE	PUR	BLACK
5	O-RING	NITRILE	RED
4	MIC COUPLING NUT, FEMALE, M12	BRASS	NICKEL PLATED
3	CONTACT SOCKET	Cu ALLOY	GOLD PLATED
2	MIC INSERT, 5P	PUR	BLACK
1	CABLE, DEV-NET, SHLD, 26AWG	PVC INSULATION	GRAY
ITEM	DESCRIPTION	MATERIAL	FINISH

SYMBOLS		THIS DRAWING CONTAINS INFORMATION THAT IS PROPRIETARY TO MOLEX ELECTRONIC TECHNOLOGIES, LLC AND SHOULD NOT BE USED WITHOUT WRITTEN PERMISSION	
$\nabla = 0$	IN/MM	SCALE	1.5:1
$\nabla = 0$	GENERAL TOLERANCES (UNLESS SPECIFIED)		
$\nabla = 0$	4 PLACES	MM	INCH
$\nabla = 0$	3 PLACES	±	±
$\nabla = 0$	2 PLACES	±	±
$\nabla = 0$	1 PLACE	±	±
$\nabla = 0$	0 PLACES	±	±
$\nabla = 0$	ANGULAR TOL	± 0.5 °	
$\nabla = 0$	DRAFT WHERE APPLICABLE MUST REMAIN WITHIN DIMENSIONS		
CURRENT REV DESC:		EC NO: 624731	
		DRWN: RSTONE 2019/09/18	
		CHK'D: CCHRSTKA 2019/10/01	
		APPR: BWOODMAN 2019/10/09	
		INITIAL REVISION:	
		DRWN: B. RUPERT 2010/01/15	
		APPR: JF MURPHY 2010/01/29	
THIRD ANGLE PROJECTION		DRAWING	SERIES
		C-SIZE	130030
DOCUMENT NUMBER		DOC TYPE	DOC PART
SD-130030-041		PSD	001
MATERIAL NUMBER		CUSTOMER	SHEET NUMBER
SEE P/N CHART		GENERAL MARKET	1 OF 1