

6924-0 R

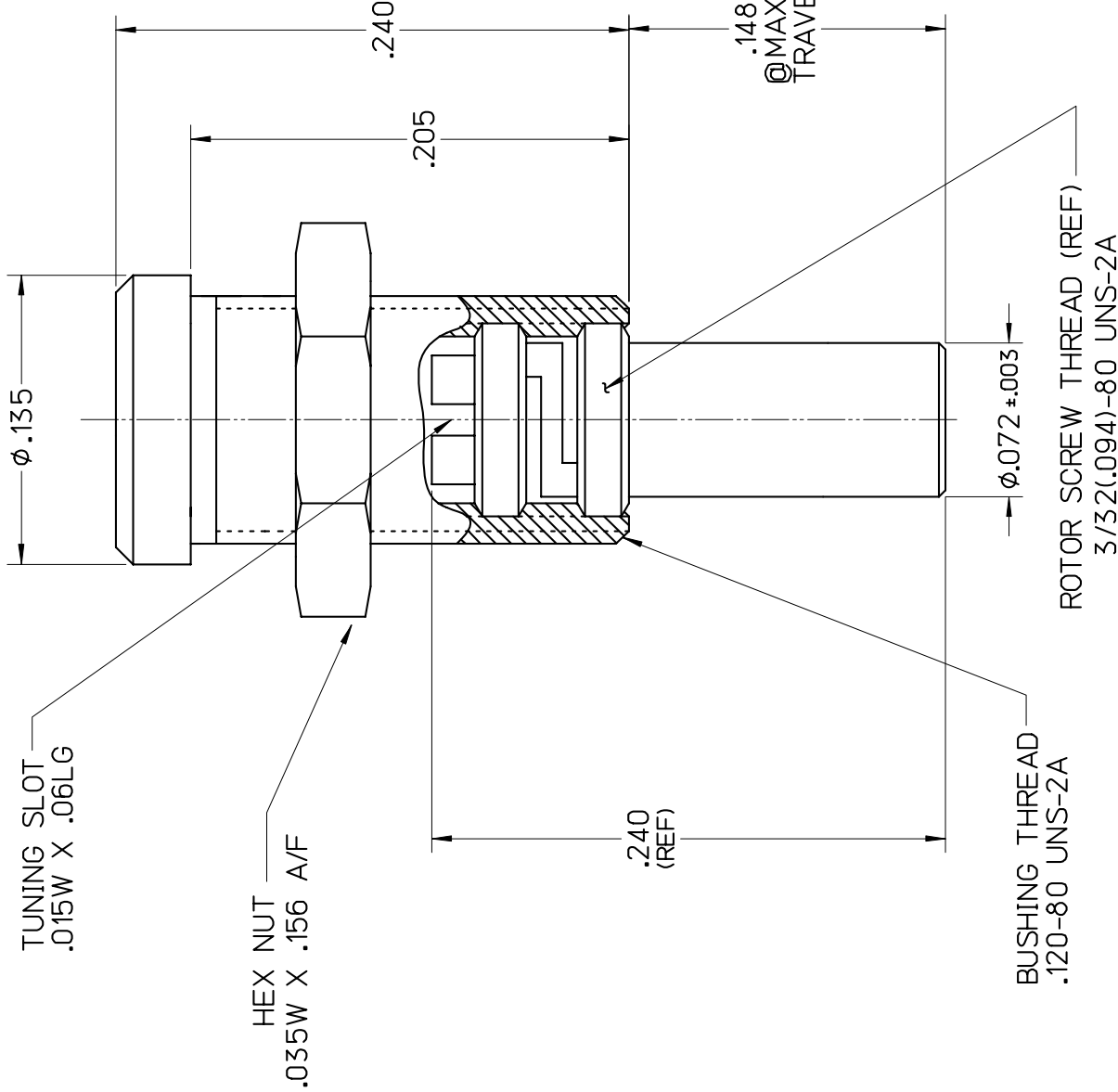
TUNING ELEMENT

SPECIFICATIONS FILE: AIROUT

LOW CONTACT RESISTANCE	< 0.01 OHMS
ROTATIONAL LIFE	> 1000 REVOLUTIONS
TUNING	0.3 TO 3.0 OZ. IN.
NUT MOUNTING	10 OZ. IN. MAX
CLEARANCE HOLE	$\phi \frac{.125}{.123}$
THREADED HOLE	JMC TAP P/N 7060 (.120-80 UNS-2)

BRASS STRUCTURE

APPLICATIONS:
FOR HIGH Q VARIABLE REACTANCE TUNING OF MICROWAVE CAVITIES, FILTERS, AND OTHER RESONANT STRUCTURES.



R	06/07/01	MLD	-	-	010-073
LEVEL	DATE	DRN.	CHK.	APP.	ECN

REVISIONS

DRN.	MLD	CHK.	MAI	APP.	JHT	SCALE
DATE	DATE	DATE	DATE	DATE	DATE	12"=1"
06/07/01	06/07/01	06/07/01	06/19/01	06/19/01	06/19/01	.XX ± .015 .XXX ± .005



JOHANSON MANUFACTURING CORPORATION
ROCKAWAY VALLEY ROAD, BOONTON, N.J. 07005 (973)334-2676 FAX (973)334-2954
ELECTRONIC ACCURACY THROUGH MECHANICAL PRECISION

PROPRIETARY INFORMATION CONTAINED NOT TO BE USED WITHOUT JOHANSON MANUFACTURING CORPORATION APPROVAL