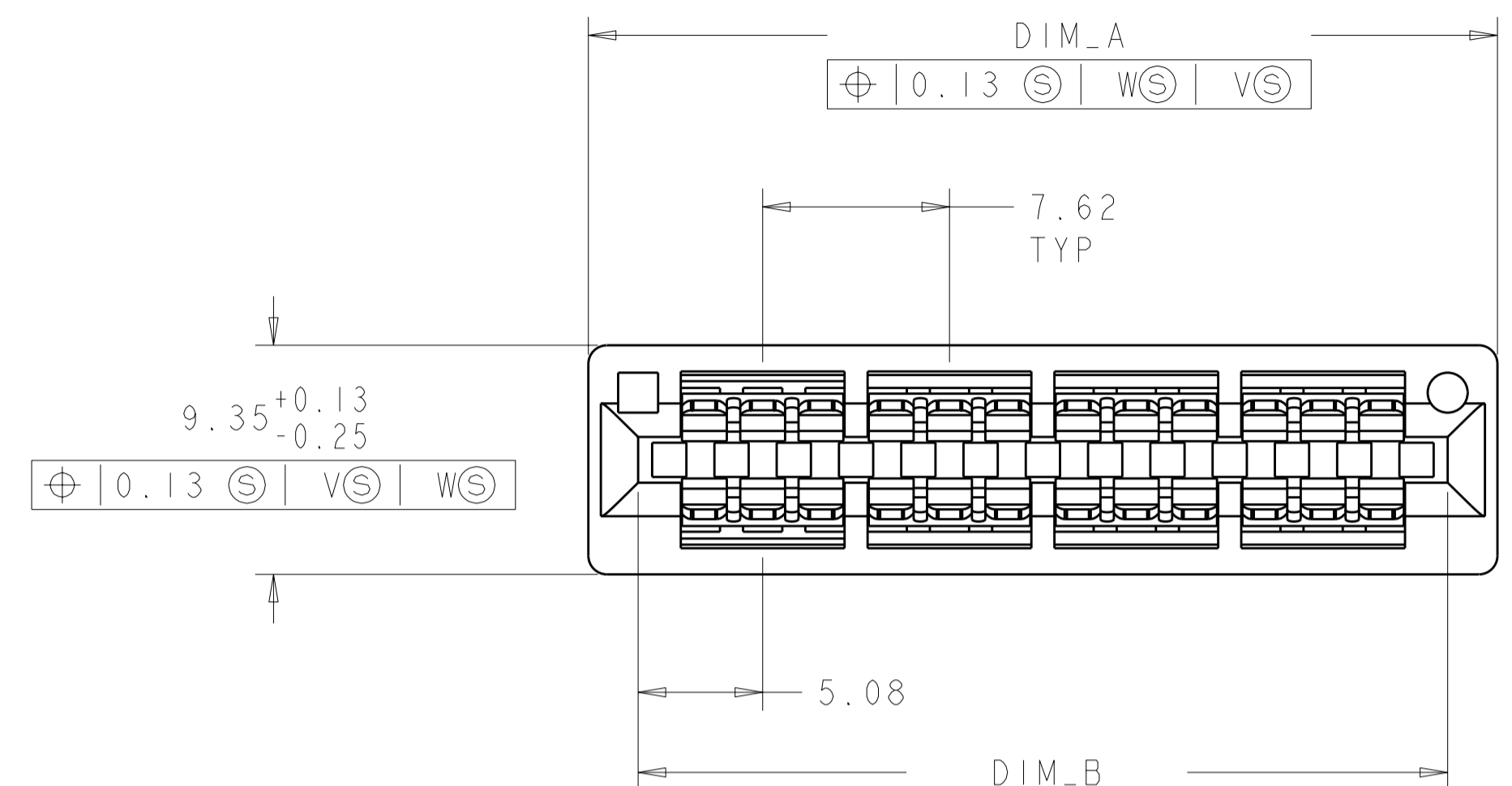
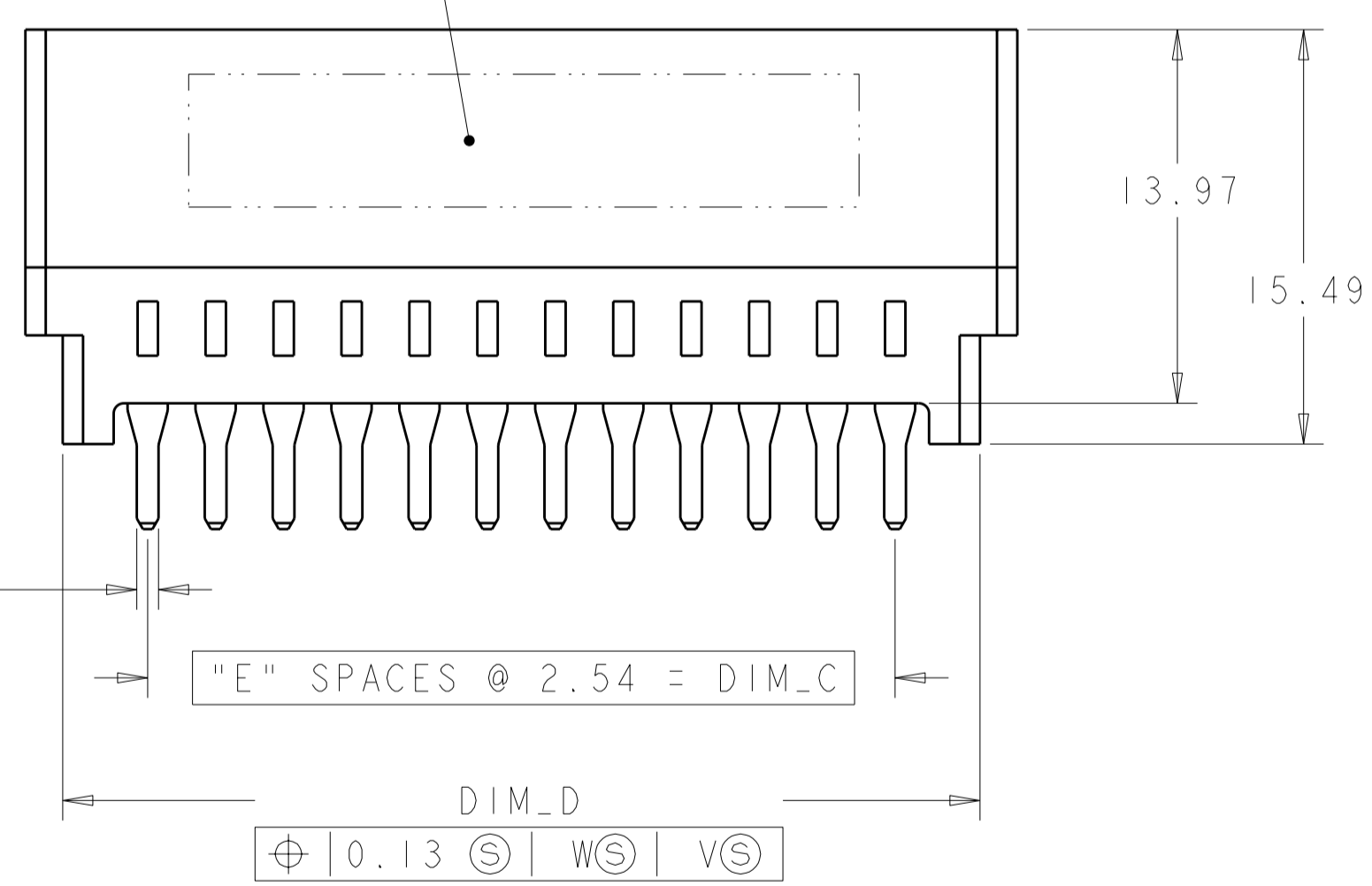


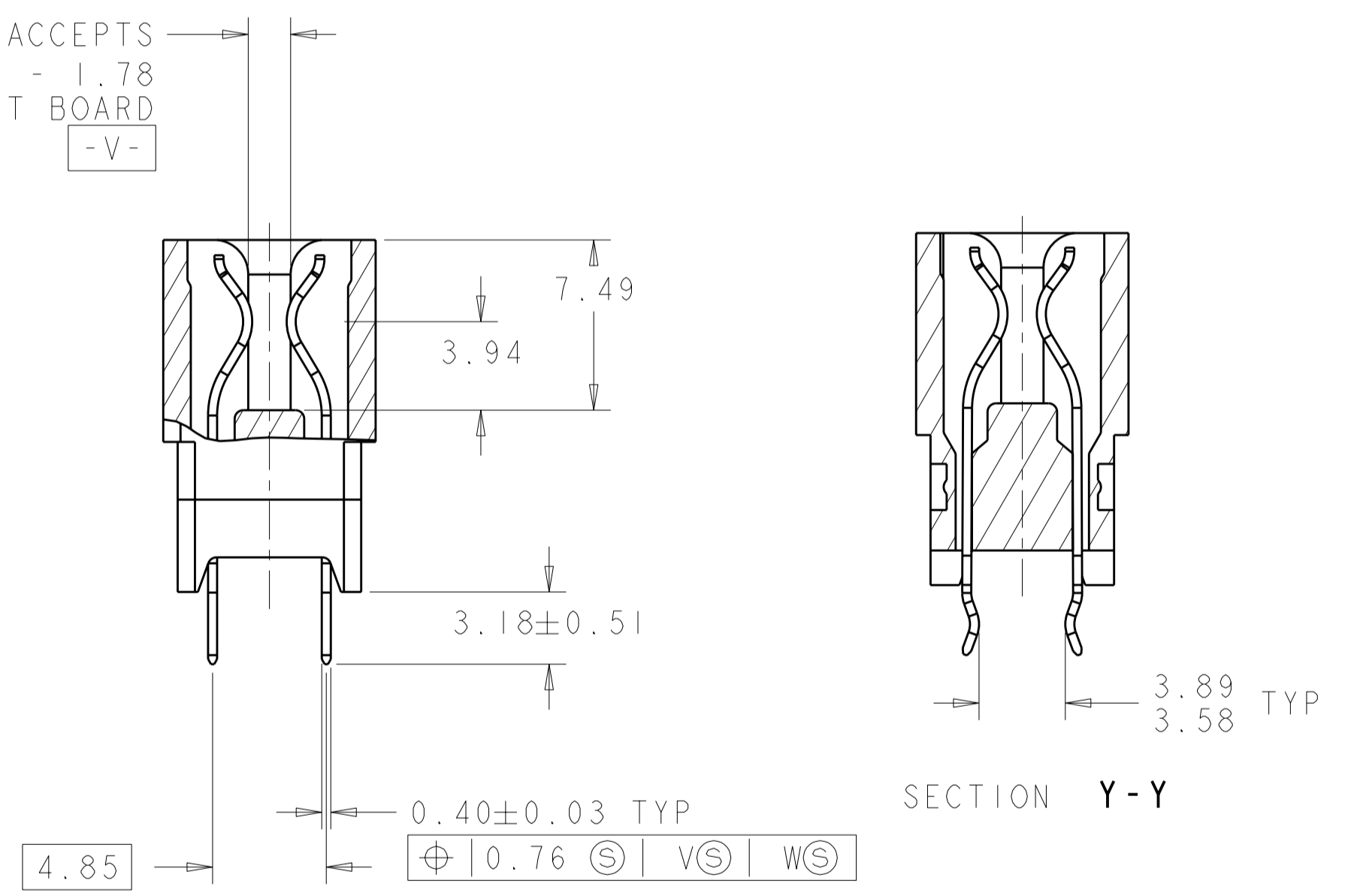
LOC	DIST	REVISIONS			
P	LTR	DESCRIPTION	DATE	DWN	APVD
GP	00	A	RELEASED	24JUL2008	RG AF
		AI	REV PER ECO-09-004901	27FEB2009	RG SM
		B	REV PER ECO-09-006223	12MAR2009	RG MP



CARD SLOT ACCEPTS
 1.37 - 1.78
 PRINTED CIRCUIT BOARD
 -V-



- HOUSING: GLASS FILLED POLYESTER, BLACK
 CONTACT: HIGH CONDUCTIVITY COPPER ALLOY.
 - NICKEL PLATE .00127 (.000050) MIN - ALL OVER
 MATTE TIN PLATE .00254 (.000100) MIN - SOLDER POSTS.
 GOLD PLATE .00038 [.000015] - IN MATING AREA.
- 3 PART NUMBER AND DATE CODE MARKED IN APPROXIMATE AREA AS SHOWN, EITHER SIDE.
- 4 SEE TYCO ELECTRONICS APPLICATION SPEC. 114-13018 FOR PCB DETAILS.



P2, P3, P25, P26 P29, P30, P52, P53	60.96	8	70.66	26	72.39	66.04	71.12	75.18	9	2057355-2
N/A	22.86	3	32.56	11	34.29	27.94	33.02	37.08	4	2057355-1
BOARD RETENTION FEATURE LOCATION	DIM_H	"G"	DIM_F	"E"	DIM_D	DIM_C	DIM_B	DIM_A	NO OF POSN.	PART NUMBER

THIS DRAWING IS A CONTROLLED DOCUMENT FOR TYCO ELECTRONICS CORPORATION. IT IS SUBJECT TO CHANGE AND THE CONTROLLING ENGINEERING ORGANIZATION SHOULD BE CONTACTED FOR THE LATEST REVISION.

DWN: R. GRZYBOWSKI 24JUL2008
 CHK: A. FRANTUM 24JUL2008
 APVD: M. PERCHERKE 24JUL2008

Tyco Electronics
 Harrisburg, PA 17105-3608

NAME: CONNECTOR ASSEMBLY
 SEC II, DUAL POSITION

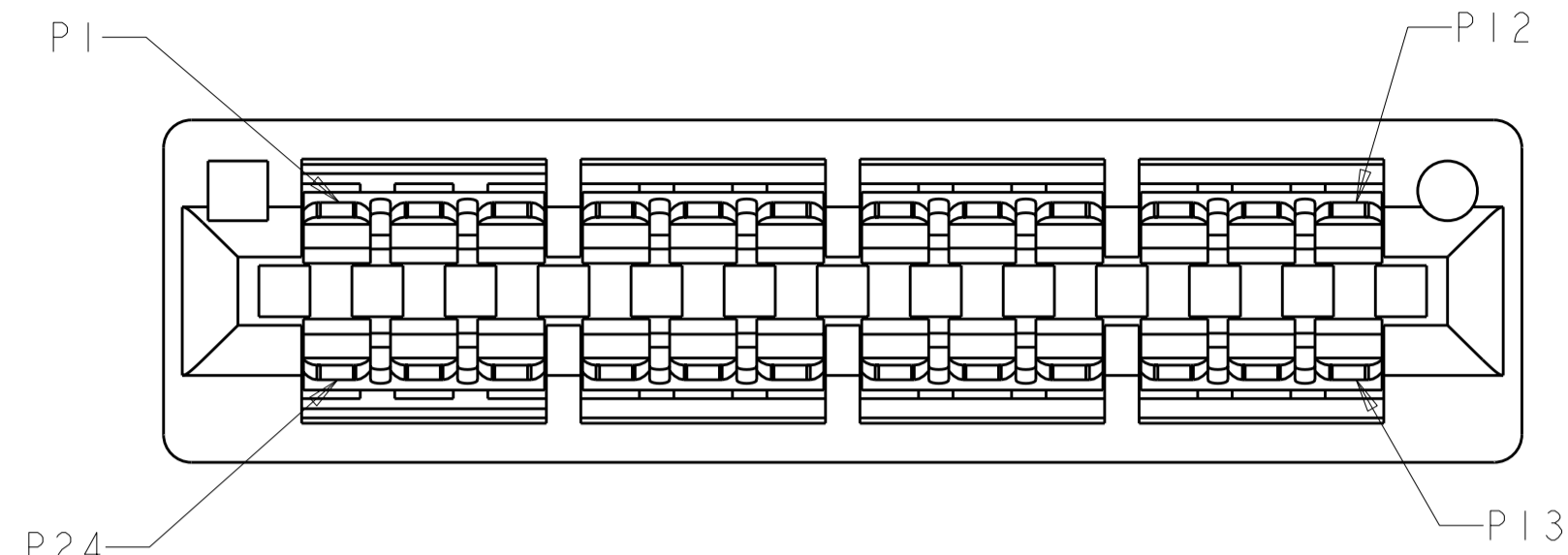
PRODUCT SPEC: 108-2202
 APPLICATION SPEC: 114-13018

SIZE: A2 CAGE CODE: 00779 DRAWING NO: 2057355 RESTRICTED TO: -
 WEIGHT: - SCALE: 4:1 SHEET 1 OF 3 REV B

CUSTOMER DRAWING

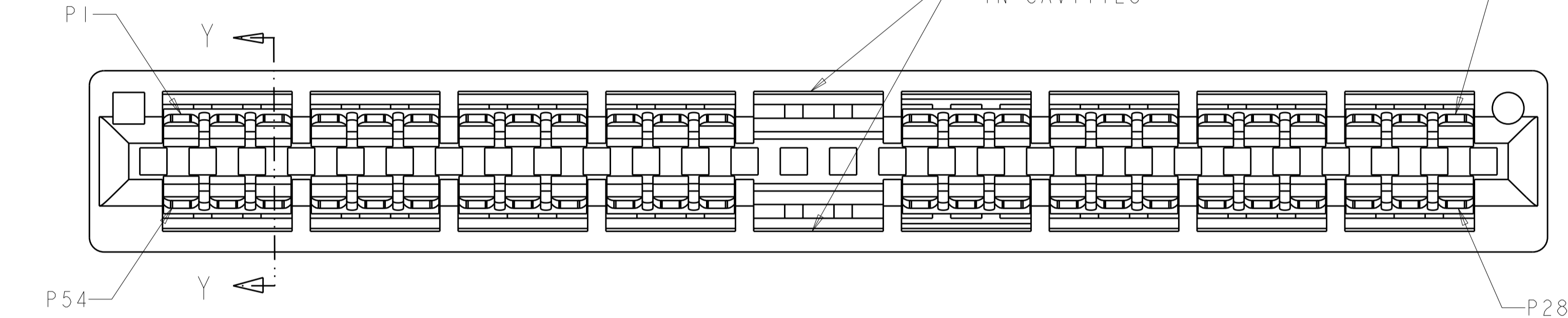
THIS DRAWING IS UNPUBLISHED. RELEASED FOR PUBLICATION 20
 © COPYRIGHT 20 BY TYCO ELECTRONICS CORPORATION. ALL RIGHTS RESERVED.

LOC	DIST	REVISIONS					
GP	00	P	LTR	DESCRIPTION	DATE	DWN	APVD
		-		SEE SHEET 1			



2057355-1

NO CONTACTS LOADED IN CAVITIES



2057355-2

<small>THIS DRAWING IS A CONTROLLED DOCUMENT FOR TYCO ELECTRONICS CORPORATION. IT IS SUBJECT TO CHANGE AND THE CONTROLLING ENGINEERING ORGANIZATION SHOULD BE CONTACTED FOR THE LATEST REVISION.</small>		DWN 24 JUL 2008 R. GRZYBOWSKI CHK 24 JUL 2008 A. FRANTUM APVD 24 JUL 2008 M. PERCHERKE	Tyco Electronics Harrisburg, PA 17105-3608
DIMENSIONS: mm	TOLERANCES UNLESS OTHERWISE SPECIFIED: 0 PLC ±- 1 PLC ±- 2 PLC ±.13 3 PLC ±- 4 PLC ±- ANGLES ±2 FINISH	PRODUCT SPEC APPLICATION SPEC WEIGHT -	NAME CONNECTOR ASSEMBLY SEC II, DUAL POSITION
MATERIAL -	CUSTOMER DRAWING	SIZE A2 CAGE CODE 00779 DRAWING NO. C-2057355	RESTRICTED TO - SCALE 4:1 SHEET 2 OF 3 REV B

4

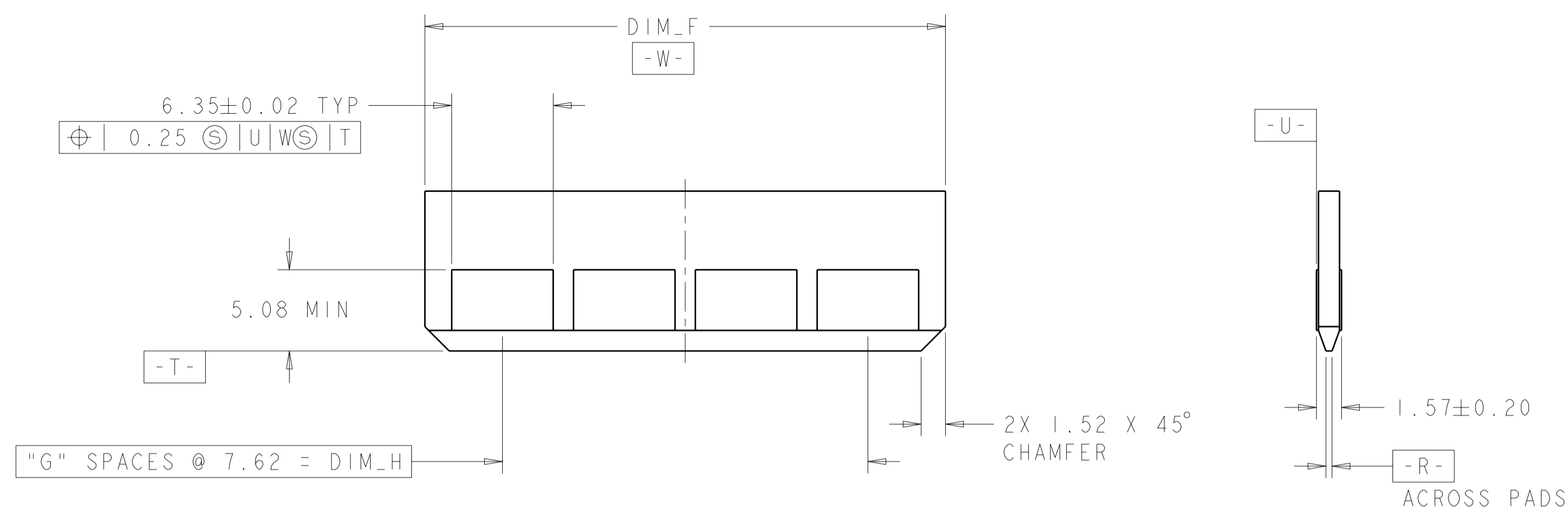
3

2

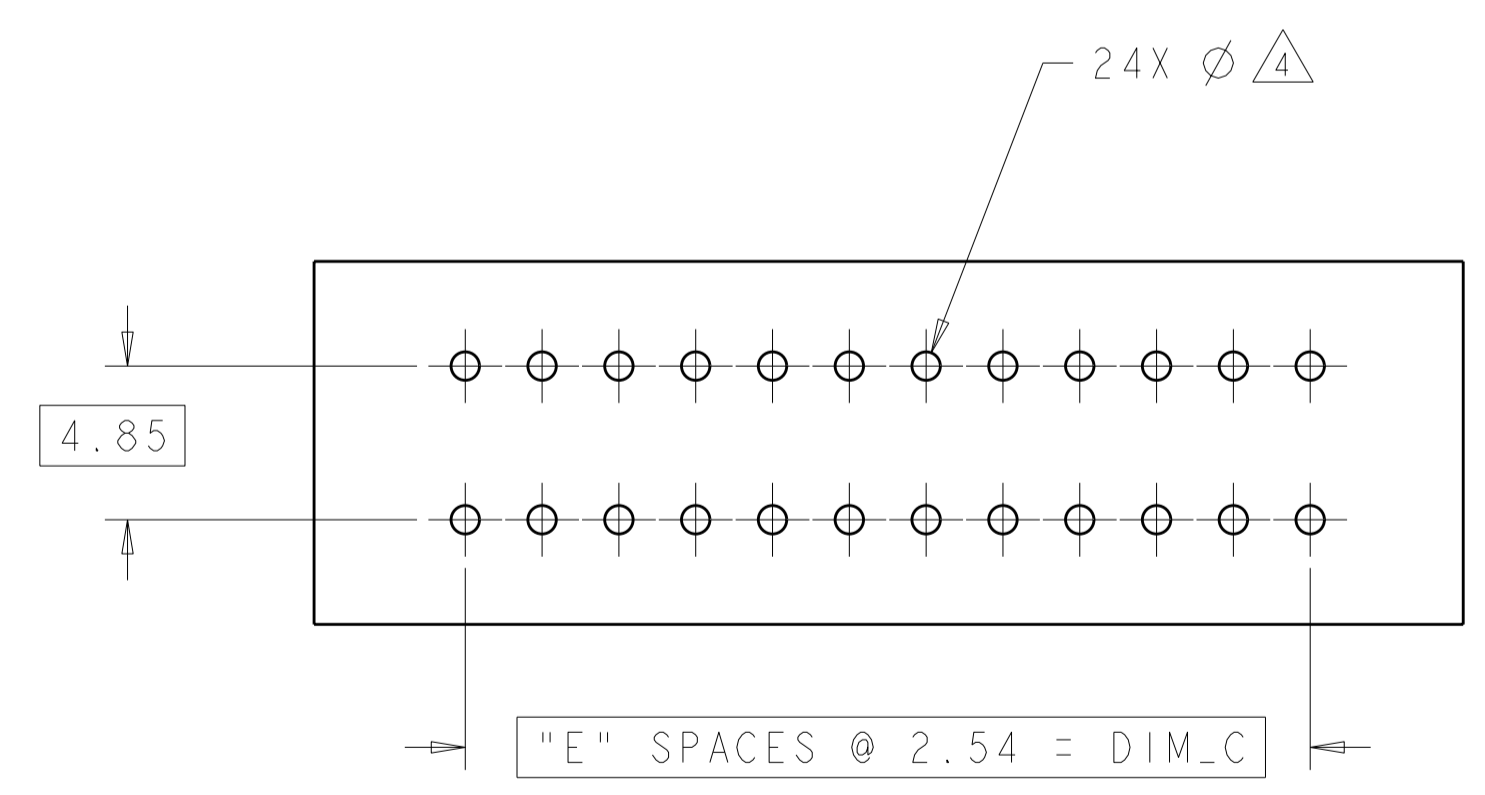
1

THIS DRAWING IS UNPUBLISHED. RELEASED FOR PUBLICATION 20
 © COPYRIGHT 20 BY TYCO ELECTRONICS CORPORATION. ALL RIGHTS RESERVED.

LOC	DIST	REVISIONS				
P	LTR	DESCRIPTION	DATE	DWN	APVD	
GP	00	-	SEE SHEET 1	-	-	



RECOMMENDED MATING BOARD CONFIGURATION
 TYPICAL BOTH SIDE



RECOMMENDED PC BOARD HOLE LAYOUT
 (VIEWED FROM CONNECTOR SIDE)

<small>THIS DRAWING IS A CONTROLLED DOCUMENT FOR TYCO ELECTRONICS CORPORATION IT IS SUBJECT TO CHANGE AND THE CONTROLLING ENGINEERING ORGANIZATION SHOULD BE CONTACTED FOR THE LATEST REVISION.</small>		DWN R. GRZYBOWSKI 24 JUL 2008 CHK A. FRANTUM 24 JUL 2008 APVD M. PERCHERKE 24 JUL 2008	Tyco Electronics Harrisburg, PA 17105-3608
DIMENSIONS: mm 	TOLERANCES UNLESS OTHERWISE SPECIFIED: 0 PLC ±- 1 PLC ±- 2 PLC ±.13 3 PLC ±- 4 PLC ±- ANGLES ±2 FINISH	PRODUCT SPEC APPLICATION SPEC WEIGHT CUSTOMER DRAWING	NAME CONNECTOR ASSEMBLY SEC 11, DUAL POSITION
MATERIAL		SIZE	RESTRICTED TO
		A200779	-
		CAGE CODE	
		C-2057355	
		DRAWING NO	
		SCALE 4:1	
		SHEET 3 OF 3	
		REV B	