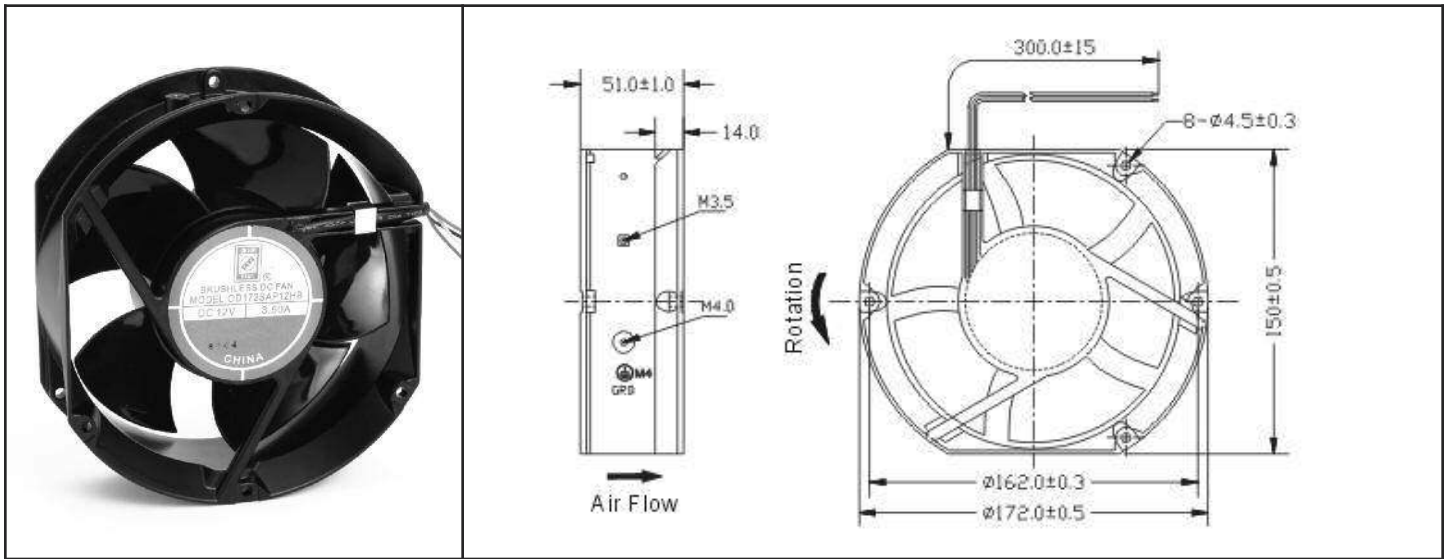


OD172S XC Series



DC Fan - High Performance 12, 24 48V
172x150x51mm (6.7"x 5.9"x 2.0")



Frame	Diecast Aluminum	<u>Available Options:</u> Alarm Tachometer PWM <u>Temperature Range</u> -20C ~ +75C <u>Life Expectancy (L10)</u> 65,000 hrs (45C) Weight: ~1.63 lbs	
Impeller	PBT, UL94V-2 plastic		
Connection	2x Lead wires, AWG22		
Motor	Brushless DC, auto restart, polarity protected		
Bearing System	Dual ball bearing		
Insulation Resistance	10M ohm between leadwire and frame (500VDC)		
Dielectric Strength	1 minute at 500 VAC, max leakage < 500 MicroAmp		
Storage Temperature	-40C ~ +80C	m4	

Model Number	Speed (RPM)	Airflow (CFM)	Noise (dB)	Volts DC	Voltage Range	Amps	Max. Static Pressure ("H ₂ O)
OD172SAP-12HBXC	3,900	277	62	12	9~14	3.50	1.14
OD172SAP-12MBXC	3,400	232	59	12	9~14	2.40	0.92
OD172SAP-24HBXC	4,600	307	67	24	12~28	2.30	1.60
OD172SAP-48HBXC	4,600	307	67	48	24~55	1.20	1.60