

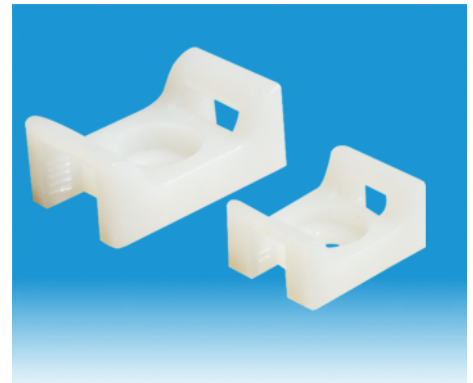
# 16 Series

RoHS  
Compliant

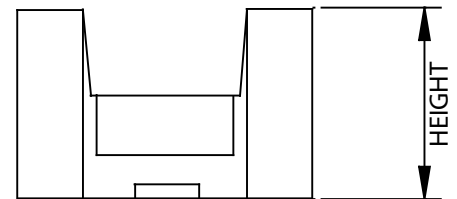
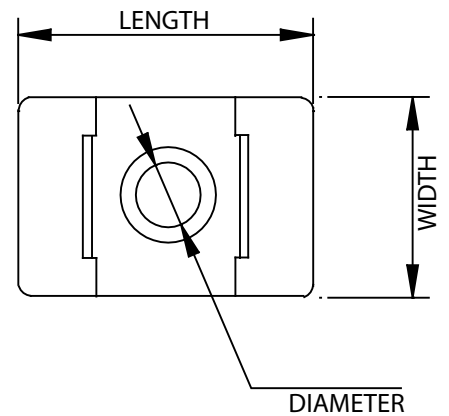
NYLON 6.6

GENERAL PURPOSE

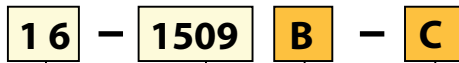
APPLICATION OPERATING TEMPERATURE: -40°C to +85°C



Part Number	Length mm [Inch]	Width mm [Inch]	Height mm [Inch]	Diameter mm [Inch]	Cable Ties Width up to mm [Inch]
16-1509	15.2 [.600]	9.4 [.370]	6.80 [.267]	3.30 [.130]	4.8 [.189]
16-1712	17.8 [.700]	12.7 [.500]	8.20 [.320]	4.31 [.170]	4.8 [.189]
16-2216	22.0 [.870]	16.2 [.640]	9.60 [.385]	5.20 [.205]	7.6 [.300]
16-2516	25.4 [1.00]	16.2 [.640]	10.80 [.425]	5.20 [.205]	9.0 [.354]



## PART NUMBER SYSTEM



SERIES

SIZE

MATERIAL/COLOR

- N: Natural
- B: Normal UV Black

PACKAGE SIZE

- C: 100PCS
- Number: Other Quantity