

FEATURES

- Allows Safe Board Insertion and Removal from a Live PCI Slot
- Works on either a Motherboard (LTC1643AH) or CompactPCI™ Card (LTC1643AL/LTC1643AL-1)
- Controls -12V, 3.3V, 5V, 12V Supplies
- Programmable Foldback Current Limit with Circuit Breaker
- User-Programmable Supply Voltage Power-Up Rate
- High Side Drive for External N-Channel MOSFETs
- -12V and 12V On-Chip Switches
- Fault and Power-Good Outputs
- Available in a Narrow 16-Lead SSOP Package

APPLICATIONS

- PCI-Based Servers
- CompactPCI Compliant Boards

DESCRIPTION

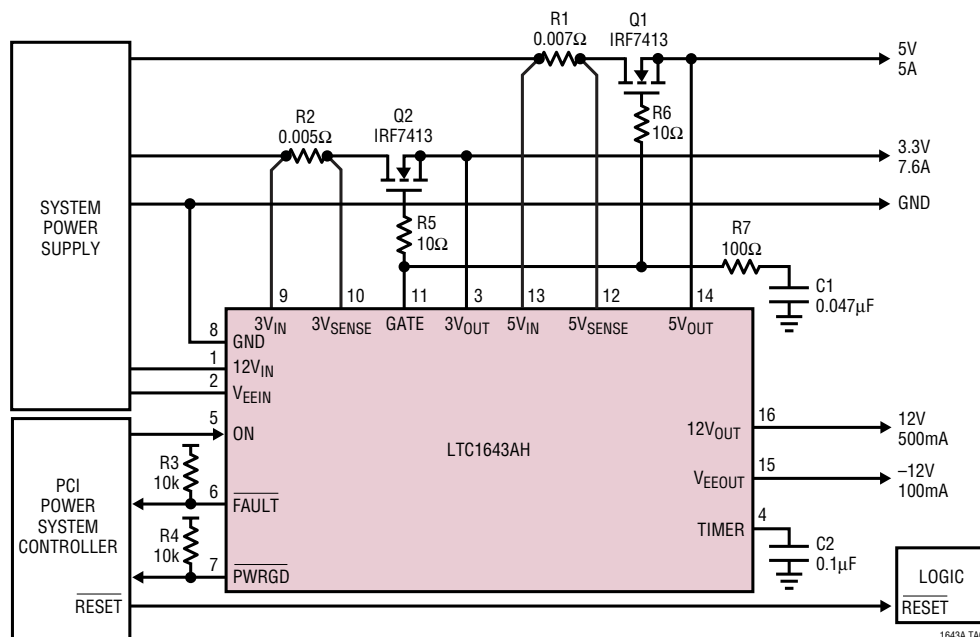
The LTC[®]1643A is a Hot Swap™ controller that allows a board to be safely inserted and removed from a live PCI-Bus slot. Two external N-channel transistors control the 3.3V and 5V supplies while on-chip switches control the -12V and 12V supplies. All supply voltages can be ramped up at a programmable rate. An electronic circuit breaker protects all four supplies against overcurrent faults. The foldback current limit feature limits current spikes and power dissipation when shorts occur and allows boards with large capacitances to be powered up without tripping the circuit breaker. The PWRGD output indicates when all of the supply voltages are within tolerance and the $\overline{\text{FAULT}}$ output indicates an overcurrent condition. The ON(LTC1643AH)/ $\overline{\text{ON}}$ (LTC1643AL/LTC1643AL-1) pin is used to cycle the board power or reset the circuit breaker. The LTC1643AL-1 has the $\pm 12\text{V}$ power good comparators disabled.

The LTC1643A is available in a 16-pin narrow SSOP package.

LT, LT, LTC and LTM are registered trademarks of Linear Technology Corporation. Hot Swap is a registered trademark of Linear Technology Corporation. All other trademarks are the property of their respective owners.

TYPICAL APPLICATION

Hot Swappable PCI Supply



LTC1643AL

LTC1643AL-1/LTC1643AH

ABSOLUTE MAXIMUM RATINGS

(Note 1)

Supply Voltages

12V_{IN} 13.2V

V_{EEIN} -13.2V

Input Voltage (Pin 5) -0.3V to (12V_{IN} + 0.3V)

Output Voltages (Pins 6, 7) -0.3V to (12V_{IN} + 0.3V)

Analog Voltages

(Pins 3, 4, 9, 10 to 14) -0.3V to (12V_{IN} + 0.3V)

V_{EEOUT} -13.2V to +0.3V

12V_{OUT} -0.3V to 13.2V

Operating Temperature Range

LTC1643ALC/LTC1643AL-1C/

LTC1643AHC 0°C to 70°C

LTC1643ALI/LTC1643AL-1I/

LTC1643AHI -40°C to 85°C

Storage Temperature Range -65°C to 150°C

Lead Temperature (Soldering, 10 sec) 300°C

PACKAGE/ORDER INFORMATION

<p>GN PACKAGE 16-LEAD NARROW PLASTIC SSOP *ON FOR LTC1643AH, ON FOR LTC1643AL/LTC1643AL-1 T_{JMAX} = 150°C, θ_{JA} = 135°C/W</p>	ORDER PART NUMBER
	LTC1643AHCGN LTC1643ALCGN LTC1643AL-1CGN LTC1643AHIGN LTC1643ALIGN LTC1643AL-1IGN
	GN PART MARKING
	1643AH 1643AL 643AL1 643AHI 643ALI 43AL1I
Order Options Tape and Reel: Add #TR Lead Free: Add #PBF Lead Free Tape and Reel: Add #TRPB Lead Free Part Marking: http://www.linear.com/leadfree/	

Consult LTC Marketing for parts specified with wider operating temperature ranges.

DC ELECTRICAL CHARACTERISTICS

The ● denotes specifications which apply over the full operating temperature range, otherwise specifications are T_A = 25°C. V_{12VIN} = 12V, V_{EEIN} = -12V, V_{3VIN} = 3.3V, V_{5VIN} = 5V (Note 2)

SYMBOL	PARAMETER	CONDITIONS	MIN	TYP	MAX	UNITS	
I _{DD}	V _{12VIN} Supply Current	ON = GND, ON = 3V	●	3.5	8	mA	
V _{LKO}	Undervoltage Lockout	12V _{IN} 3V _{IN} 5V _{IN}	● ● ●	7 2.25 2.25	9.5 2.5 2.75	V V V	
V _{FB}	Foldback Current Limit Voltage	V _{FB} = (V _{5VIN} - V _{5VSENSE}), V _{5VOUT} = 0V V _{FB} = (V _{5VIN} - V _{5VSENSE}), V _{5VOUT} > 4V V _{FB} = (V _{3VIN} - V _{3VSENSE}), V _{3VOUT} = 0V V _{FB} = (V _{3VIN} - V _{3VSENSE}), V _{3VOUT} > 2V	● ● ● ●	4 40 4 40	7.5 53 7.5 53	12 65 12 65	mV mV mV mV
t _{CB}	Circuit Breaker Trip Filter Time			14.6		μs	
I _{CP}	GATE Pin Output Current	Charge Pump On, V _{GATE} = GND, FAULT = High Charge Pump Off, V _{GATE} = 5V, FAULT = High Charge Pump Off, V _{GATE} = 2V, FAULT = Low	● ●	-20 3	-62 200 17.5	-100 μA mA	
ΔV _{GATE}	External Gate Voltage	(V _{12VIN} - V _{GATE})		100	200	mV	
V _{DROP}	Internal Switch Voltage Drop	(V _{12VIN} - V _{12VOUT}), I _{12VOUT} = 500mA (V _{EEOUT} - V _{EEIN}), I _{VEEIN} = 100mA	● ● ●	225 225	600 750	mV mV	
I _{CL}	Current Foldback	12V _{IN} = 12V, 12V _{OUT} = 0V 12V _{IN} = 12V, 12V _{OUT} = 10V V _{EEIN} = -12V, V _{EEOUT} = 0V (LTC1643AL/LTC1643AH Only) V _{EEIN} = -12V, V _{EEOUT} = -10V	● ● ● ●	50 525 50 225	250 850 160 450	600 1500 500 800	mA mA mA mA
T _{TS}	Thermal Shutdown Temperature			150		°C	
V _{TH}	Power-Good Threshold Voltage	V _{12VOUT} LTC1643AH/LTC1643AL Only V _{EEOUT} LTC1643AH/LTC1643AL Only	● ● ● ●	10.8 10.4	11.1 11.1	11.4 11.4	V V
		0°C ≤ T _A ≤ 70°C -40°C ≤ T _A ≤ 85°C					V V
		0°C ≤ T _A ≤ 70°C -40°C ≤ T _A ≤ 85°C	● ●	-10.2 -10.0	-10.5 -10.5	-10.8 -10.8	V V

1643afb

DC ELECTRICAL CHARACTERISTICS

The ● denotes specifications which apply over the full operating temperature range, otherwise specifications are $T_A = 25^\circ\text{C}$.
 $V_{12VIN} = 12\text{V}$, $V_{EEIN} = -12\text{V}$, $V_{3VIN} = 3.3\text{V}$, $V_{5VIN} = 5\text{V}$ (Note 2)

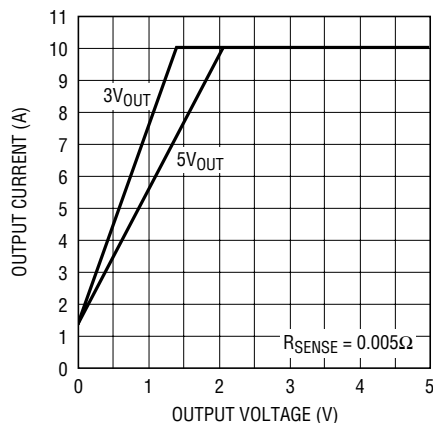
SYMBOL	PARAMETER	CONDITIONS	MIN	TYP	MAX	UNITS	
V_{TH}	Power-Good Threshold Voltage	V_{3VOUT}	$0^\circ\text{C} \leq T_A \leq 70^\circ\text{C}$	● 2.8	2.9	3.0	V
			$-40^\circ\text{C} \leq T_A \leq 85^\circ\text{C}$	● 2.75	2.9	3.0	V
		V_{5VOUT}	$0^\circ\text{C} \leq T_A \leq 70^\circ\text{C}$	● 4.5	4.65	4.75	V
			$-40^\circ\text{C} \leq T_A \leq 85^\circ\text{C}$	● 4.4	4.65	4.75	V
V_{IL}	Input Low Voltage	$\text{ON}/\overline{\text{ON}}, \overline{\text{FAULT}}$	●		0.8	V	
V_{IH}	Input High Voltage	$\text{ON}/\overline{\text{ON}}, \overline{\text{FAULT}}$	●	2		V	
V_{OL}	Output Low Voltage	$\overline{\text{FAULT}}, \text{PWRGD}, I = 3\text{mA}$	●		0.4	V	
I_{IN}	$\text{ON}/\overline{\text{ON}}$ Pin Input Current	$\text{ON}/\overline{\text{ON}} = \text{GND}$	●	± 0.08	± 10	μA	
		$\text{ON}/\overline{\text{ON}} = 12\text{V}_{IN}$	●	± 0.08	± 10	μA	
	5V_{SENSE} Input Current	$5\text{V}_{SENSE} = 5\text{V}$	●	50	100	μA	
	3V_{SENSE} Input Current	$3\text{V}_{SENSE} = 3\text{V}$	●	50	100	μA	
	5V_{IN} Input Current	$5\text{V}_{IN} = 5\text{V}$	●	460	700	μA	
	3V_{IN} Input Current	$3\text{V}_{IN} = 3\text{V}$	●	320	600	μA	
	5V_{OUT} Input Current	$5\text{V}_{OUT} = 5\text{V}, \text{ON} = 3\text{V}, \overline{\text{ON}} = \text{GND}$	●	240	500	μA	
3V_{OUT} Input Current	$3\text{V}_{OUT} = 3.3\text{V}, \text{ON} = 3\text{V}, \overline{\text{ON}} = \text{GND}$	●	220	500	μA		
R_{DIS}	5V_{OUT} Discharge Impedance	$\text{ON} = \text{GND}$ or $\overline{\text{ON}} = 3\text{V}$		100		Ω	
	3V_{OUT} Discharge Impedance	$\text{ON} = \text{GND}$ or $\overline{\text{ON}} = 3\text{V}$		70		Ω	
	12V_{OUT} Discharge Impedance	$\text{ON} = \text{GND}$ or $\overline{\text{ON}} = 3\text{V}$		450		Ω	
	V_{EEOUT} Discharge Impedance	$\text{ON} = \text{GND}$ or $\overline{\text{ON}} = 3\text{V}$		1600		Ω	
I_{TIMER}	TIMER Pin Current	Timer On, $V_{TIMER} = \text{GND}$	●	-15	-22	μA	
		Timer Off, $V_{TIMER} = 5\text{V}$			45	mA	
V_{TIMER}	TIMER Threshold Voltage	$(V_{12VIN} - V_{TIMER})$	●	0.5	0.9	1.3	V

Note 1: Stresses beyond those listed under Absolute Maximum Ratings may cause permanent damage to the device. Exposure to any Absolute Maximum Rating condition for extended periods may affect device reliability and lifetime.

Note 2: All currents into device pins are positive; all currents out of device pins are negative. All voltages are referenced to ground unless otherwise specified.

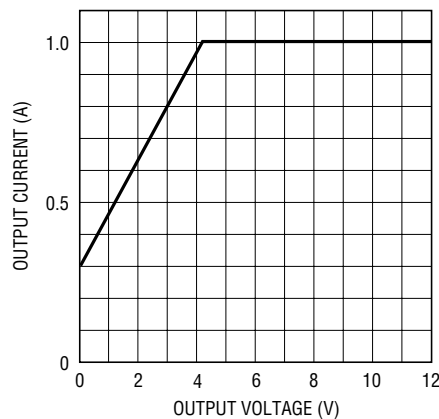
TYPICAL PERFORMANCE CHARACTERISTICS

3.3V and 5V Current Foldback Profile



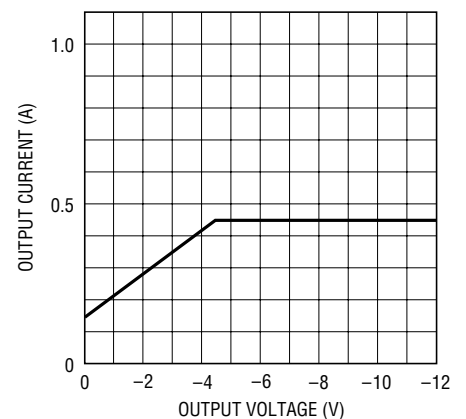
1643A G01

12V Current Foldback Profile



1643A G02

-12V Current Foldback Profile

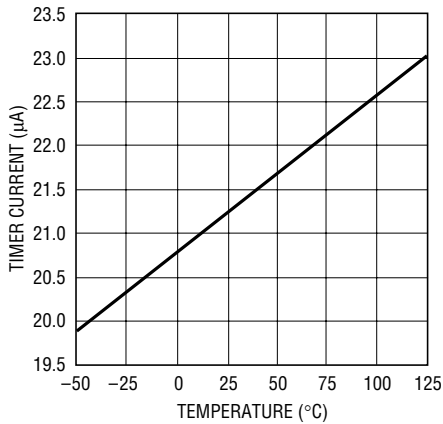


1643A G03

1643afb

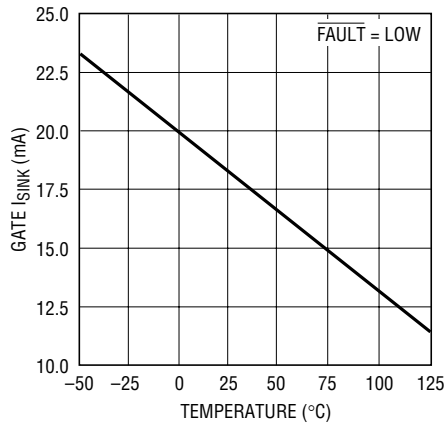
TYPICAL PERFORMANCE CHARACTERISTICS

Timer Current vs Temperature



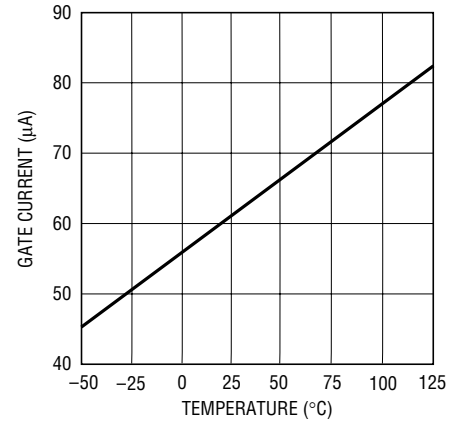
1643A G04

Gate I_{SINK} vs Temperature



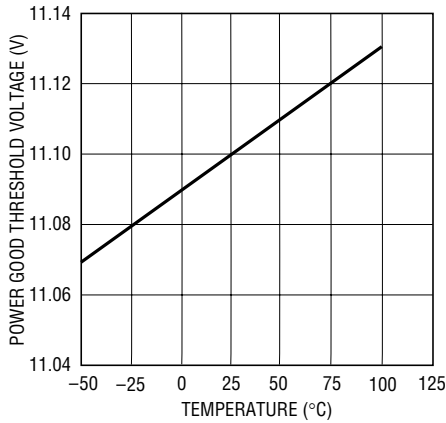
1643A G05

Gate Current vs Temperature



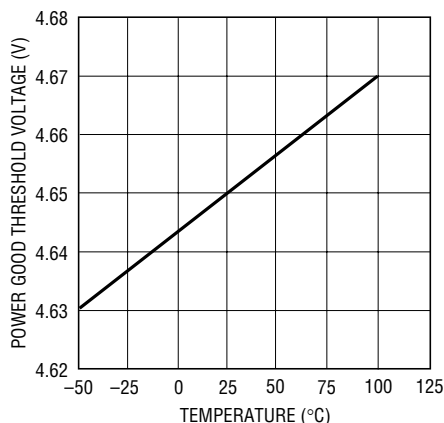
1643A G06

Power Good Threshold Voltage vs Temperature (12V_{OUT})



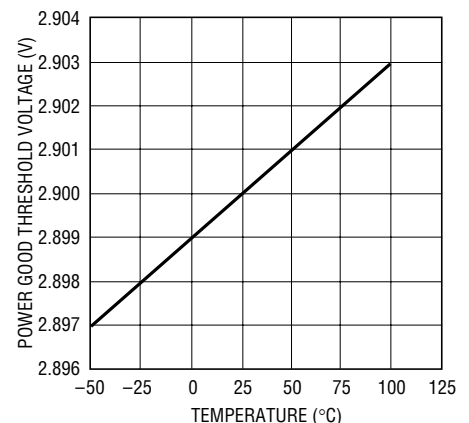
1643A G07

Power Good Threshold Voltage vs Temperature (5V_{OUT})



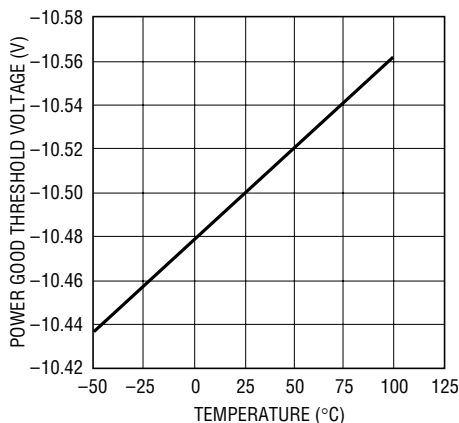
1643A G08

Power Good Threshold Voltage vs Temperature (3V_{OUT})



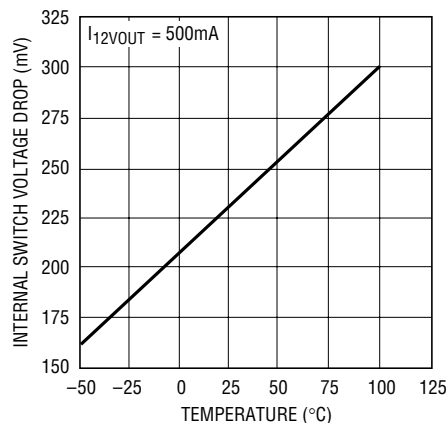
1643A G09

Power Good Threshold Voltage vs Temperature (V_{EEOUT})



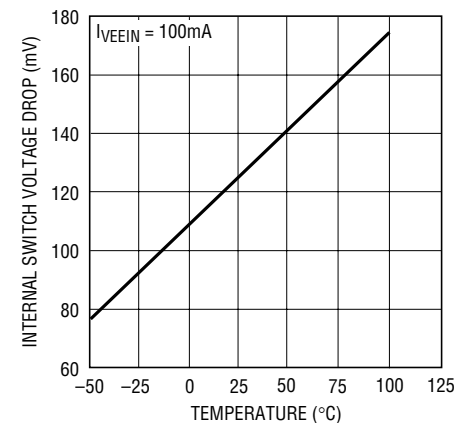
1643A G10

12V Internal Switch Voltage Drop vs Temperature



LT1643A G11

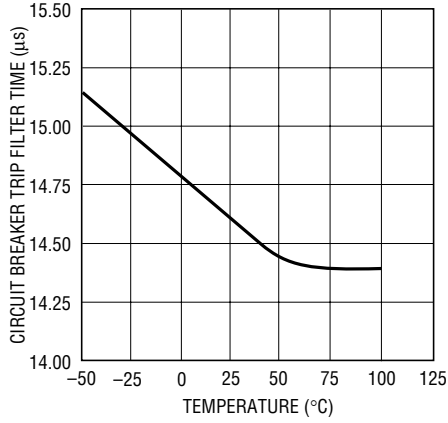
V_{EE} Internal Switch Voltage Drop vs Temperature



1643A G12

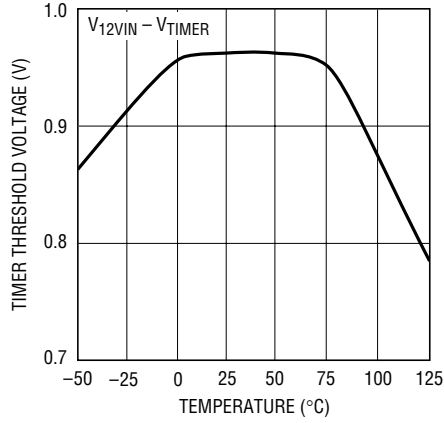
TYPICAL PERFORMANCE CHARACTERISTICS

Circuit Breaker Trip Filter Time vs Temperature



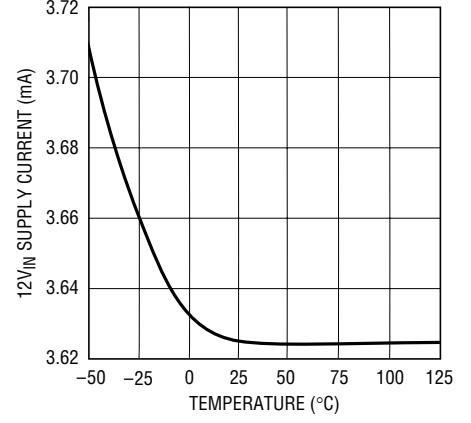
1643A G13

Timer Threshold Voltage vs Temperature



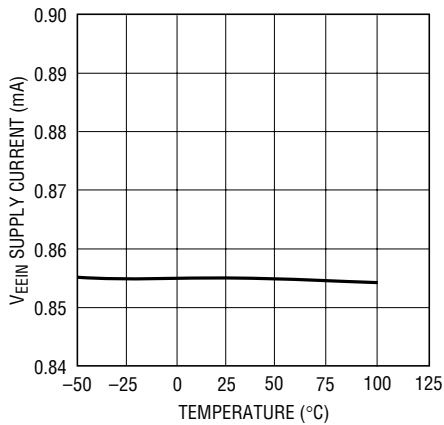
1643A G14

12VIN Supply Current vs Temperature



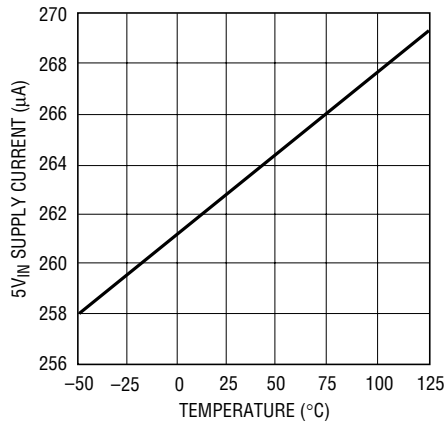
1643A G15

VEEIN Supply Current vs Temperature



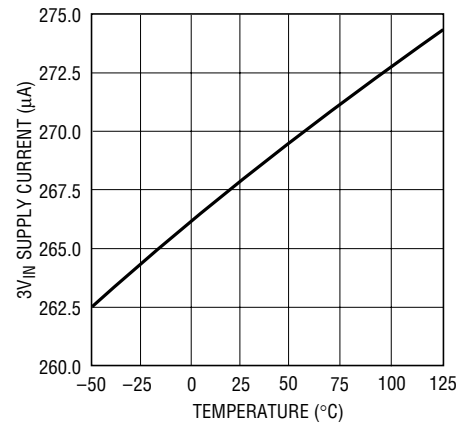
1643A G16

5VIN Supply Current vs Temperature



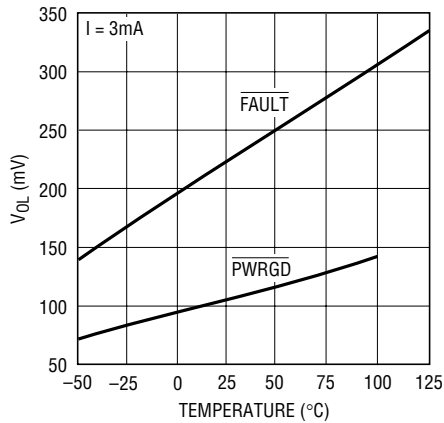
LT1643A G17

3VIN Supply Current vs Temperature



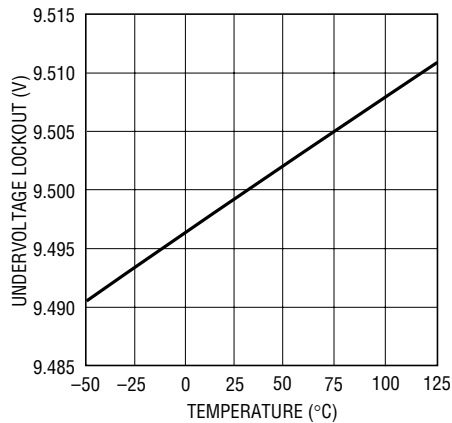
1643A G18

VOL vs Temperature



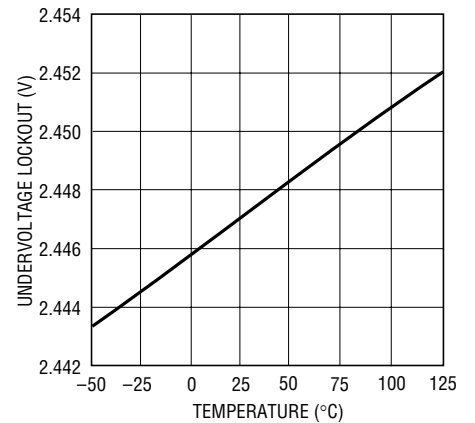
1643A G19

12VIN Undervoltage Lockout vs Temperature



1643A G20

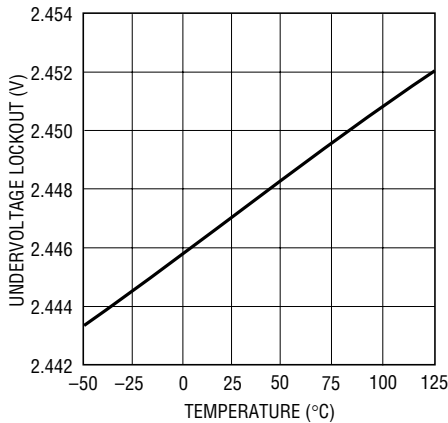
5VIN Undervoltage Lockout vs Temperature



1643A G21

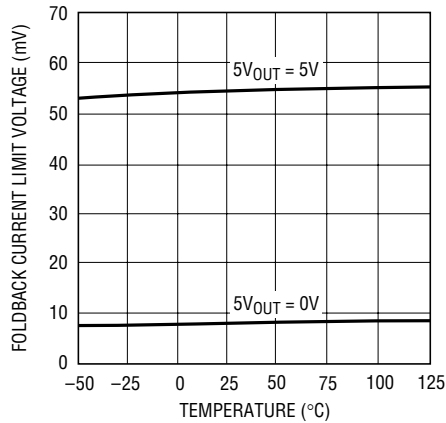
TYPICAL PERFORMANCE CHARACTERISTICS

3V_{IN} Undervoltage Lockout vs Temperature



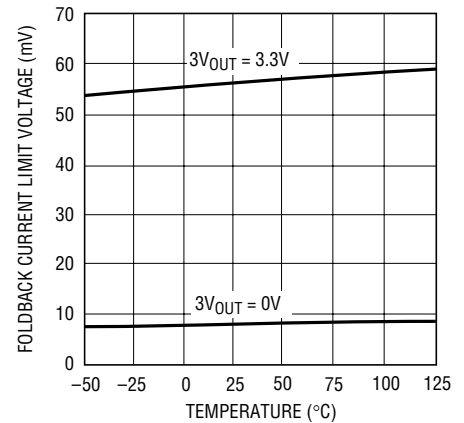
1643A G21

5V_{IN} Foldback Current Limit Voltage vs Temperature



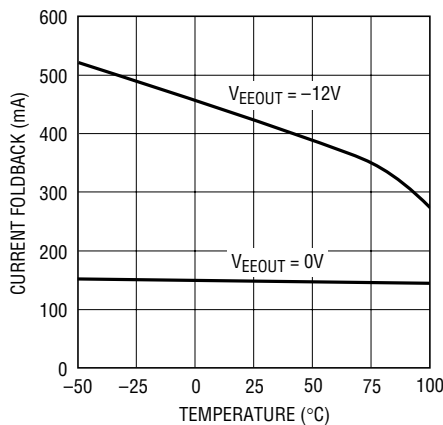
1643A G23

3V_{IN} Foldback Current Limit Voltage vs Temperature



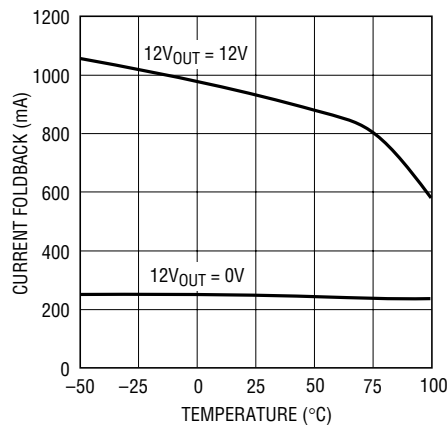
1643A G24

V_{EE} Current Foldback vs Temperature



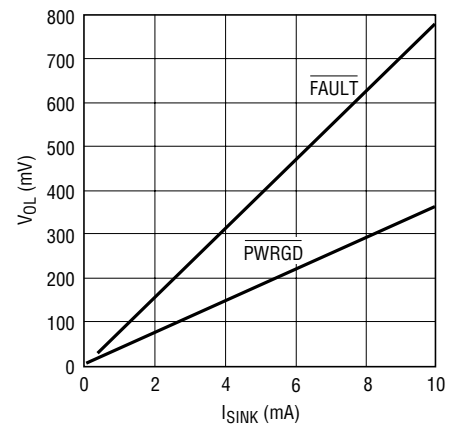
1643A G25

12V Current Foldback vs Temperature



1643A G26

V_{OL} vs I_{SINK} (25°C)



1643A G27

PIN FUNCTIONS

12V_{IN} (Pin 1): 12V Supply Input. It powers all the chip's internal circuitry. A 0.5Ω switch is connected between 12V_{IN} and 12V_{OUT} with a foldback current limit. An undervoltage lockout circuit prevents the switches from turning on while the 12V_{IN} pin voltage is less than 9.5V typically.

V_{EEIN} (Pin 2): -12V Supply Input. A 1.2Ω switch is connected between V_{EEIN} and V_{EEOUT} with a foldback current limit.

3V_{OUT} (Pin 3): Analog Input. Used to monitor the 3.3V output supply voltage. The PWRGD signal cannot go low until the 3V_{OUT} pin exceeds 2.9V typically.

TIMER (Pin 4): Analog Current Fault Inhibit Timing Input. Connect a capacitor from $\overline{\text{TIMER}}$ to GND. With the chip turned off ($\text{ON} = \text{GND}$ or $\text{ON} = \text{High}$) or the internal circuit breaker tripped ($\overline{\text{FAULT}} = \text{GND}$), the TIMER pin is internally held at GND. When the chip is turned on, a 22μA pull-up current source is connected to TIMER. Current limit faults will be ignored until the voltage at the TIMER pin rises to within 0.9V of 12V_{IN}.

ON/ $\overline{\text{ON}}$ (Pin 5): Digital Input. The LTC1643AL/LTC1643AL-1 have an active low enable, $\overline{\text{ON}}$, and the LTC1643AH has an active high enable, ON. When the ON pin is pulled high or

1643afb

PIN FUNCTIONS

the $\overline{\text{ON}}$ pin pulled low, the GATE pin is pulled high by a $62\mu\text{A}$ current source and the internal 12V and -12V switches are turned on. When the ON pin is pulled low or the $\overline{\text{ON}}$ pin pulled high, the GATE pin will be pulled to ground by a $200\mu\text{A}$ current source and the 12V and -12V switches turned off.

The ON/ $\overline{\text{ON}}$ pin is also used to reset the electronic circuit breaker. If the ON/ $\overline{\text{ON}}$ pin is cycled following the trip of the circuit breaker, the circuit breaker is reset and a normal power-up sequence will occur.

FAULT (Pin 6): Open-Drain Digital I/O. $\overline{\text{FAULT}}$ is pulled low when a current limit fault is detected. Current limit faults are ignored while the voltage at the TIMER pin is less than $12\text{V}_{\text{IN}} - 0.9\text{V}$. Once the TIMER cycle is complete, $\overline{\text{FAULT}}$ will pull low typically $14.6\mu\text{s}$ after any of the supplies go into current limit. At the same time, the GATE and TIMER pins are pulled to GND and the 12V and -12V switches are turned off. The chip will remain latched in the off state until the ON/ $\overline{\text{ON}}$ pin is toggled or the power is cycled.

Forcing the $\overline{\text{FAULT}}$ pin low with an external pull-down will immediately turn off the internal switches and force the GATE and TIMER pins to GND independent of the state of the ON/ $\overline{\text{ON}}$ pin. However, the chip is not latched into the off state, so when the $\overline{\text{FAULT}}$ pin is released, the state of the chip will be determined by the ON pin.

PWRGD (Pin 7): Open-Drain Digital Power-Good Output. PWRGD remains low while $V_{12\text{VOUT}} \geq 11.4\text{V}$, $V_{3\text{VOUT}} \geq 3\text{V}$, $V_{5\text{VOUT}} \geq 4.75\text{V}$ and $V_{\text{EEOUT}} \leq -10.8\text{V}$. The LTC1643AL-1 has the power good comparators connected to the 12V_{OUT} and V_{EEOUT} pins disabled, with only the 3V_{OUT} and 5V_{OUT} outputs being monitored to generate PWRGD. When one of the supplies falls below its power-good threshold voltage, PWRGD will go high after a $15\mu\text{s}$ deglitching time. The switches will *not* be turned off when PWRGD goes high.

GND (Pin 8): Chip Ground.

3V_{IN} (Pin 9): 3.3V Supply Sense Input. An undervoltage lockout circuit prevents the switches from turning on when the voltage at the 3V_{IN} pin is less than 2.5V typically. If no 3.3V input supply is available, tie 3V_{IN} to the 5V_{IN} pin.

3V_{SENSE} (Pin 10): The 3.3V Current Limit Set Pin. With a sense resistor placed in the supply path between 3V_{IN} and 3V_{SENSE} , the GATE pin voltage will be adjusted to maintain a constant voltage across the sense resistor and a constant current through the switch. A foldback feature makes the current limit decrease as the voltage at the 3V_{OUT} pin approaches GND. To disable the current limit, 3V_{SENSE} and 3V_{IN} can be shorted together.

GATE (Pin 11): High Side Gate Drive for the External N-Channel Pass Transistors. Requires an external series RC network for the current limit loop compensation and setting the minimum ramp-up rate. During power-up, the slope of the voltage rise at the GATE is set by the $62\mu\text{A}$ current source connected to 12V_{IN} and the external capacitor connected to GND or by the 3.3V or 5V current limit and the bulk capacitance on the 3V_{OUT} or 5V_{OUT} supply lines. During power-down, the slope of the falling voltage is set by the $200\mu\text{A}$ current source connected to GND and the external GATE capacitor.

The voltage at the GATE pin will be modulated to maintain a constant current when either the 3V or 5V supplies go into current limit. When a current limit fault occurs after the inhibit period set by the TIMER pin capacitance, the undervoltage lockout circuit on 3.3V, 5V or 12V trips or the $\overline{\text{FAULT}}$ pin is pulled low, the GATE pin is immediately pulled to GND.

5V_{SENSE} (Pin 12): 5V Current Limit Set Pin. With a sense resistor placed in the supply path between 5V_{IN} and 5V_{SENSE} , the GATE pin voltage will be adjusted to maintain a constant voltage across the sense resistor and a constant current through the switch. A foldback feature makes the current limit decrease as the voltage at the 5V_{OUT} pin approaches GND. To disable the current limit, 5V_{SENSE} and 5V_{IN} can be shorted together.

5V_{IN} (Pin 13): Analog Input. Used to monitor the 5V input supply voltage. An undervoltage lockout circuit prevents the switches from turning on when the voltage at the 5V_{IN} pin is less than 2.5V typically.

5V_{OUT} (Pin 14): Analog Input. Used to monitor the 5V output supply voltage. The PWRGD signal cannot go low until the 5V_{OUT} pin exceeds 4.65V typically.

LTC1643AL

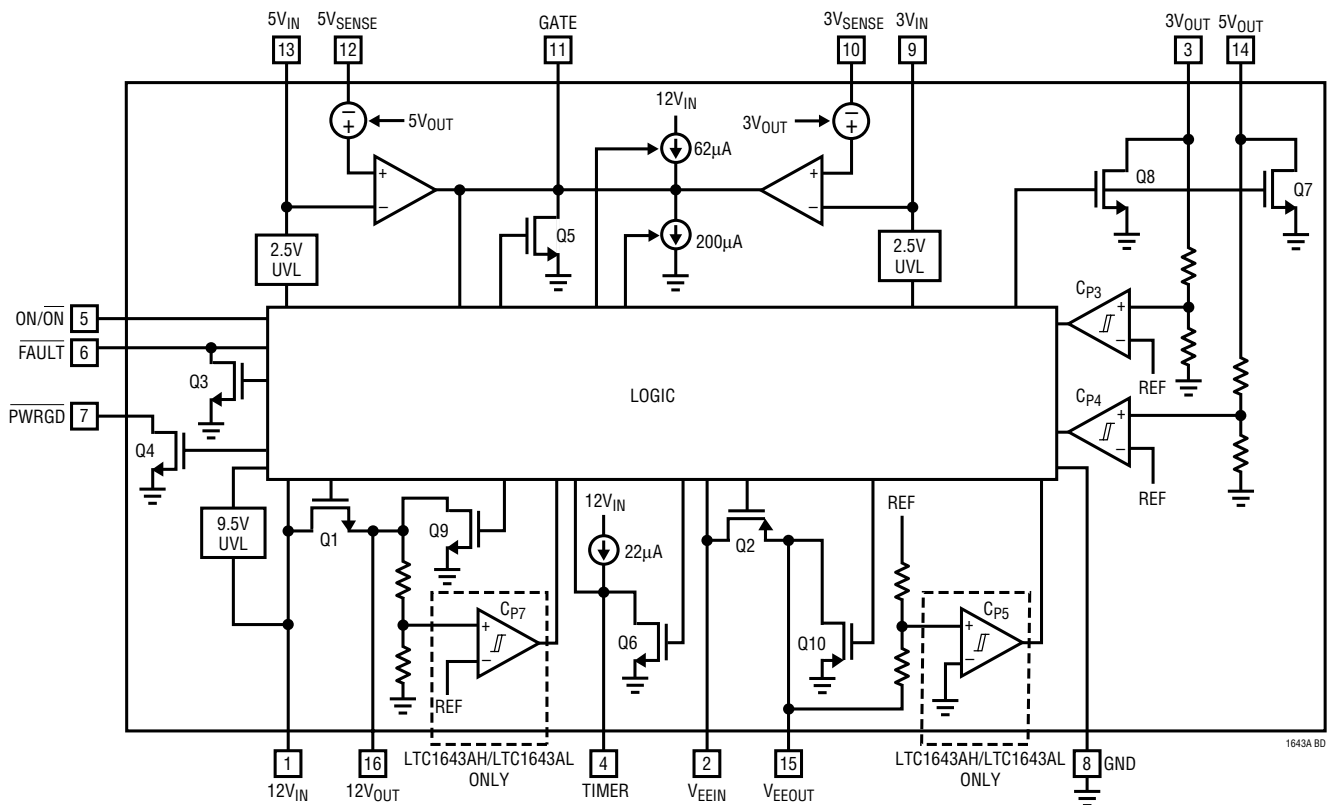
LTC1643AL-1/LTC1643AH

PIN FUNCTIONS

V_{EEOUT} (Pin 15): -12V Supply Output. A 1.2Ω switch is connected between V_{EEIN} and V_{EEOUT}. V_{EEOUT} must exceed -10.8V before the PWRGD signal can go high on the LTC1643AH and LTC1643AL.

12V_{OUT} (Pin 16): 12V Supply Output. A 0.5Ω switch is connected between 12V_{IN} and 12V_{OUT}. 12V_{OUT} must exceed 11.4V before the PWRGD signal can go high on the LTC1643AH and LTC1643AL.

BLOCK DIAGRAM



APPLICATIONS INFORMATION

Hot Circuit Insertion

When a circuit board is inserted into a live PCI slot, the supply bypass capacitors on the board can draw huge transient currents from the PCI power bus as they charge up. The transient currents can cause permanent damage to the connector pins and cause glitches on the power bus, causing other boards in the system to reset.

The LTC1643A is designed to turn a board's supply voltages on and off in a controlled manner, allowing the

board to be safely inserted or removed from a live PCI slot without glitching the system power supplies. The chip also protects the PCI supplies from shorts and monitors the supply voltages.

The LTC1643AH is designed for motherboard applications, while the LTC1643AL/LTC1643AL-1 are designed for CompactPCI applications where the chip resides on the plug-in board.

APPLICATIONS INFORMATION

LTC1643A FEATURE SUMMARY

1. Allows safe board insertion and removal from either a motherboard (LTC1643AH) or CompactPCI board (LTC1643AL/LTC1643AL-1).
2. Controls all four PCI supplies: -12V, 12V, 3.3V and 5V.
3. Programmable foldback current limit: a programmable analog current limit with a value that depends on the output voltage. If the output is shorted to ground, the current limit drops to keep power dissipation and supply glitches to a minimum.
4. Programmable circuit breaker: if a supply remains in current limit too long, the circuit breaker will trip, the supplies will be turned off and the FAULT pin pulled low.
5. Current limit power-up: the supplies are allowed to power up in current limit. Allows the chip to power up boards with widely varying capacitive loads without tripping the circuit breaker. The maximum allowable power-up time is programmable using the TIMER pin.
6. -12V and 12V power switches on chip.
7. Power good output: monitors the voltage status of the four supply voltages, except the LTC1643AL-1 which only monitors 3V_{OUT} and 5V_{OUT}.
8. Space saving 16-pin SSOP package.

PCI Power Requirements

PCI systems usually require four power rails: 5V, 3.3V, 12V and -12V. Systems implementing the 3.3V signaling environment are usually required to provide all four rails in every system. Systems implementing the 5V signaling environment may either ship the 3.3V supply with the system or provide a means to add it afterward. The tolerance of the supplies as measured at the components on the plug-in card is summarized in Table 1.

Table 1. PCI Power Supply Requirements

SUPPLY	TOLERANCE	CAPACITIVE LOAD
5V	5V ±5%	<3000µF
3.3V	3.3V ±0.3V	<3000µF
12V	12V ±5%	<500µF
-12V	-12V ±10%	<120µF

Some ±12V supplies in CompactPCI applications are not well regulated and can violate the tolerance specification. For these applications, the LTC1643AL-1 should be used because the PWRGD signal does not depend on ±12V outputs.

Power-Up Sequence

The power supplies are controlled by placing external N-channel pass transistors in the 3.3V and 5V power paths, and internal pass transistors for the 12V and -12V power paths (Figure 1).

Resistors R1 and R2 provide current fault detection and R7 and C1 provide current control loop compensation. Resistors R5 and R6 prevent high frequency oscillations in Q1 and Q2.

When the ON pin (Pin 5) is pulled high, the pass transistors are allowed to turn on and a 22µA current source is connected to the TIMER pin (Pin 4) (Figure 2).

The current in each pass transistor increases until it reaches the current limit for each supply. Each supply is then allowed to power up at the rate $dv/dt = 62\mu A/C1$ or as determined by the current limit and the load capacitance whichever is slower. Current limit faults are ignored while the TIMER pin (Pin 4) voltage is ramping up and is less than 0.9V below 12V_{IN} (Pin 1). Once all four supply voltages are within tolerance, the PWRGD pin (Pin 7) will pull low.

Power-Down Sequence

When the ON pin (Pin 5) is pulled low, a power-down sequence begins (Figure 3).

Internal switches are connected to each of the output supply voltage pins to discharge the bypass capacitors to ground. The TIMER pin (Pin 4) is immediately pulled low. The GATE pin (Pin 11) is pulled down by a 200µA current source to prevent the load currents on the 3.3V and 5V supplies from going to zero instantaneously and glitching the power supply voltages. When any of the output voltages dip below its threshold, the PWRGD pin (Pin 7) pulls high.

APPLICATIONS INFORMATION

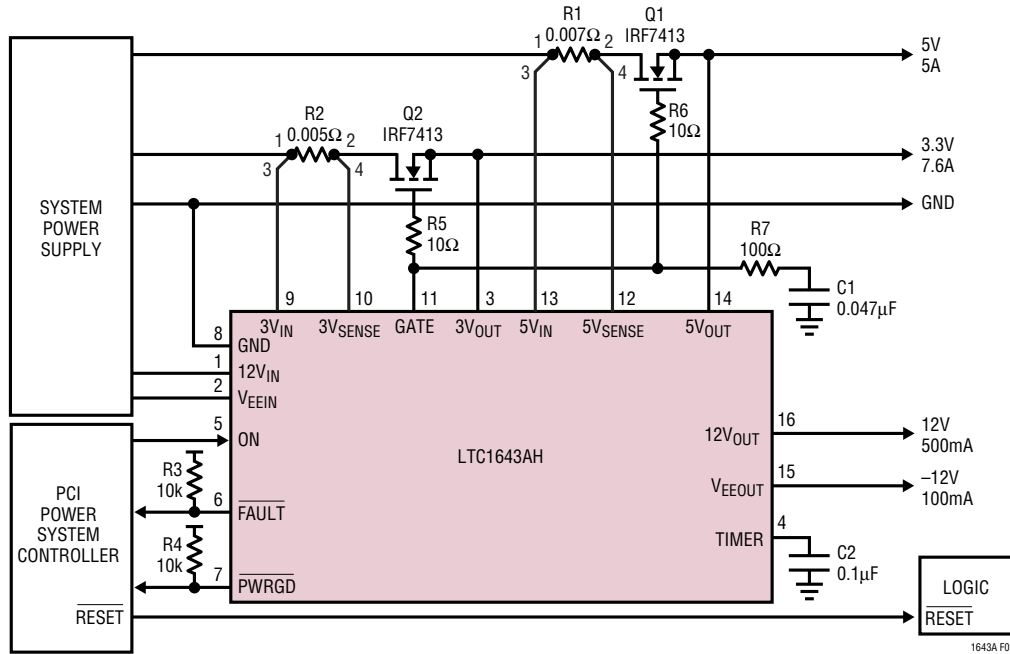


Figure 1. Typical PCI Application

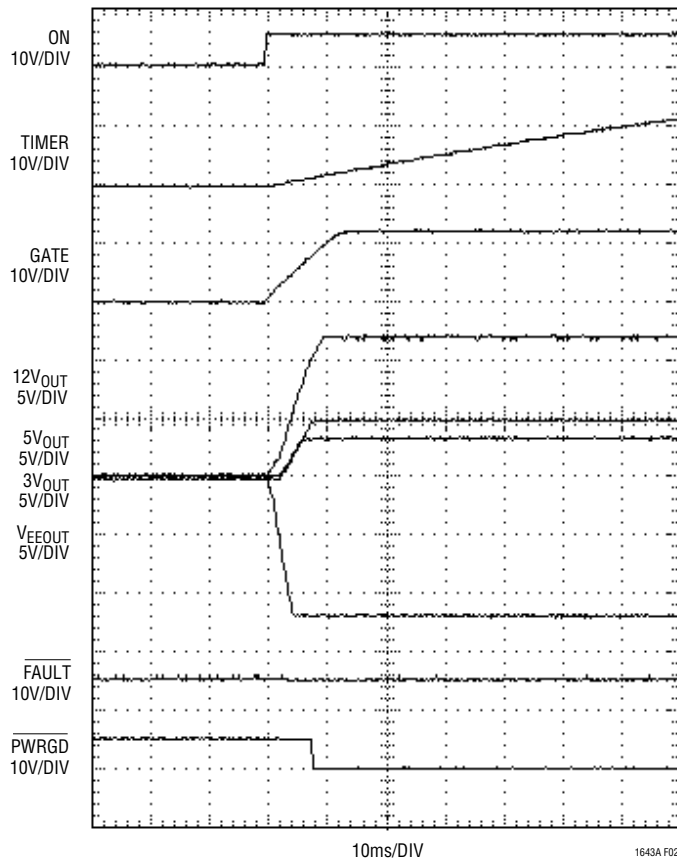


Figure 2. Normal Power-Up Sequence

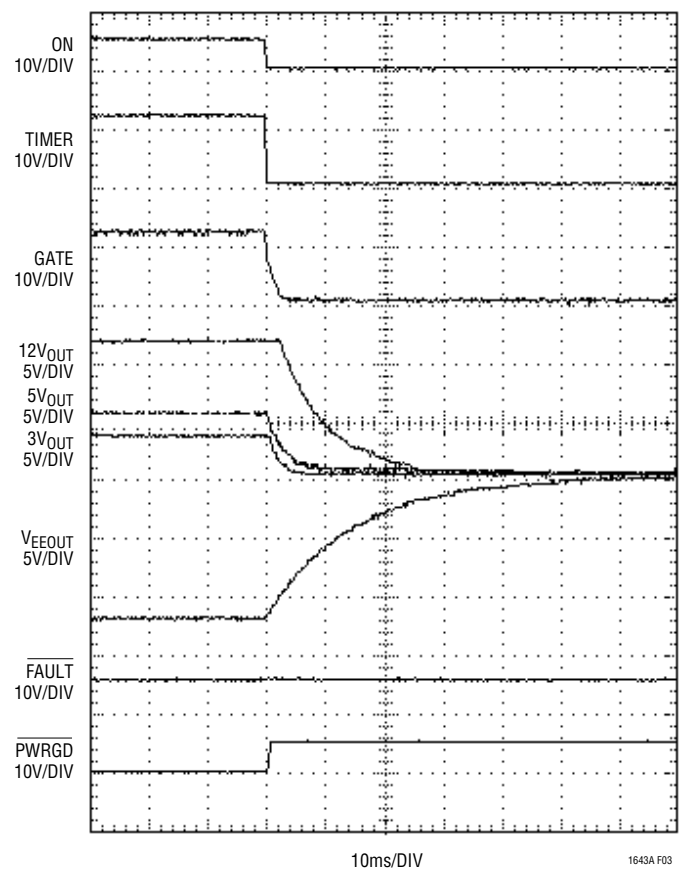


Figure 3. Normal Power-Down Sequence

APPLICATIONS INFORMATION

Timer

During a power-up sequence, a 22 μ A current source is connected to the TIMER pin (Pin 4) and current limit faults are ignored until the voltage ramps to within 0.9V of 12V_{IN} (Pin 1). This feature allows the chip to power up a PCI slot that can accept boards with widely varying capacitive loads on the supplies. The power-up time will be:

$$t_{ON} \cong 2 \frac{C_{SUPPLY} \cdot V_{SUPPLY}}{I_{LIMIT} - I_{LOAD}}$$

For $C_{SUPPLY} = 2000\mu\text{F}$, $V_{SUPPLY} = 5\text{V}$, $I_{LIMIT} = 7\text{A}$, $I_{LOAD} = 5\text{A}$, the turn-on time will be ~10ms. The timer period should be set longer than the maximum supply turn-on time but short enough to not exceed the maximum safe operating area of the pass transistor during a short circuit. The timer period will be:

$$t_{TIMER} = \frac{C_{TIMER} \cdot 11.1\text{V}}{22\mu\text{A}}$$

For $C_{TIMER} = 0.1\mu\text{F}$, the timer period will be ~50ms. The TIMER pin (Pin 4) is immediately pulled low when ON (Pin 5) goes low.

Thermal Shutdown

The internal switches for the 12V and -12V supplies are protected by an internal current limit and thermal shutdown circuit. When the temperature of chip reaches 150°C, all switches will be latched off and the FAULT pin (Pin 6) will be pulled low.

Short-Circuit Protection

During a normal power-up sequence, if the TIMER (Pin 4) is done ramping and a supply is still in current limit, all of the pass transistors will be immediately turned off and the FAULT pin (Pin 6) will be pulled low as shown in Figure 4.

If a short circuit occurs after the supplies are powered up, the shorted supply's current will drop immediately to the limit value (Figure 5).

If the supply remains in current limit for more than 14.6 μ s, all of the supplies will be latched off. The 14.6 μ s delay prevents quick current spikes—for example, from a fan

turning on—from causing false trips of the circuit breaker. The chip will stay in the latched-off state until ON pin (Pin 5) is cycled low then high, or the 12V_{IN} pin (Pin 1) power supply is cycled.

To prevent excessive power dissipation in the pass transistors and to prevent voltage spikes on the supplies during short-circuit conditions, the current limit on each supply is designed to be a function of the output voltage. As the output voltage drops, the current limit decreases. Unlike a traditional circuit breaker function where huge currents can flow before the breaker trips, the current foldback feature assures that the supply current will be kept at a safe level and prevent voltage glitches when powering up into a short.

The current limit for the 5V and 3.3V supplies is set by placing a sense resistor between 5V_{IN} (Pin 13) and 5V_{SENSE} (Pin 12) and between 3V_{IN} (Pin 9) and 3V_{SENSE} (Pin 10). The current limit will be set by:

$$I_{LIMIT} = 53\text{mV}/R_{SENSE}$$

For a 0.005 Ω resistor, the current limit will be set at 10.6A and fold back to 1.5A when the output is shorted. For a 0.007 Ω resistor, the current limit will be set at 7.6A and fold back to 1.1A when the output is shorted.

The current limit for the internal 12V switch is set at 850mA folding back to 250mA and the -12V switch at 450mA folding back to 160mA.

In systems where it is possible to exceed the current limit for a short amount of time, it might be necessary to prevent the analog current loop from responding quickly so the output voltage does not droop. This can be accomplished by adding an RC filter across the sense resistor as shown in Figure 6. R4 should be 20 Ω or less to prevent offset errors. A 0.1 μ F capacitor gives a delay of about 1.5 μ s and a 1 μ F capacitor gives a delay of about 15 μ s.

CompactPCI Application

The LTC1643AL is designed for hot swapping CompactPCI boards. The typical application is shown in Figure 7. The 3.3V, 5V, 12V and -12V inputs to the LTC1643AL come from the medium length power pins. The long 3.3V, 5V and V(I/O) pins power up the pull-up resistors, bus precharge

APPLICATIONS INFORMATION

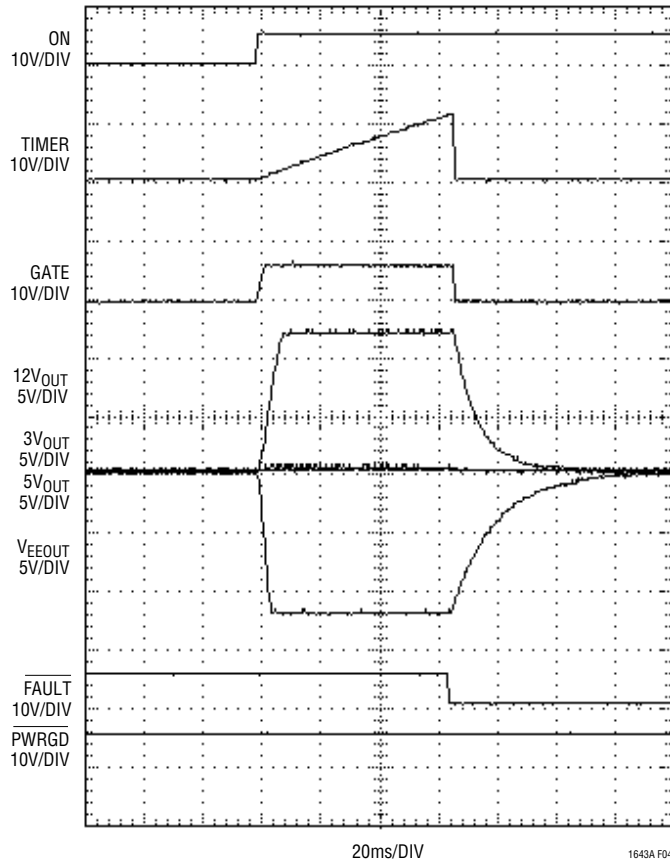


Figure 4. Power-Up into a Short on 3.3V Output

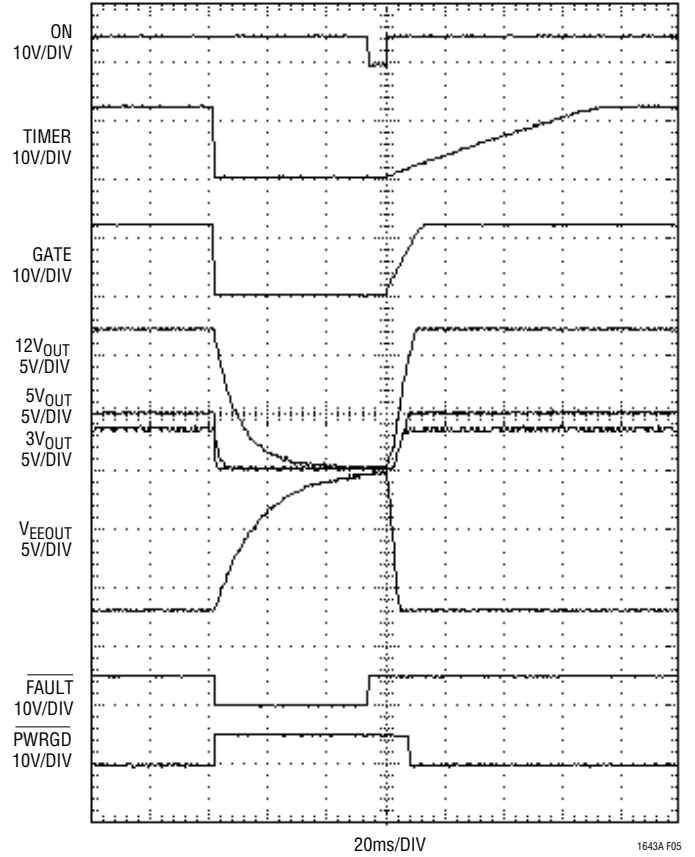


Figure 5. Short Circuit on 5V Followed by Circuit Breaker Reset

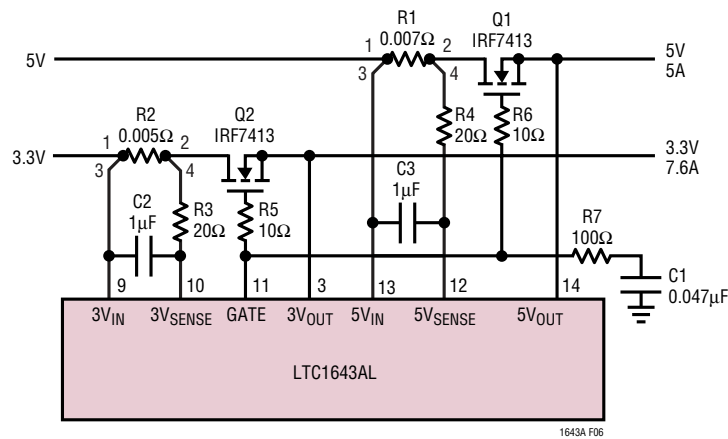


Figure 6. Delay in the Current Limit Loop

APPLICATIONS INFORMATION

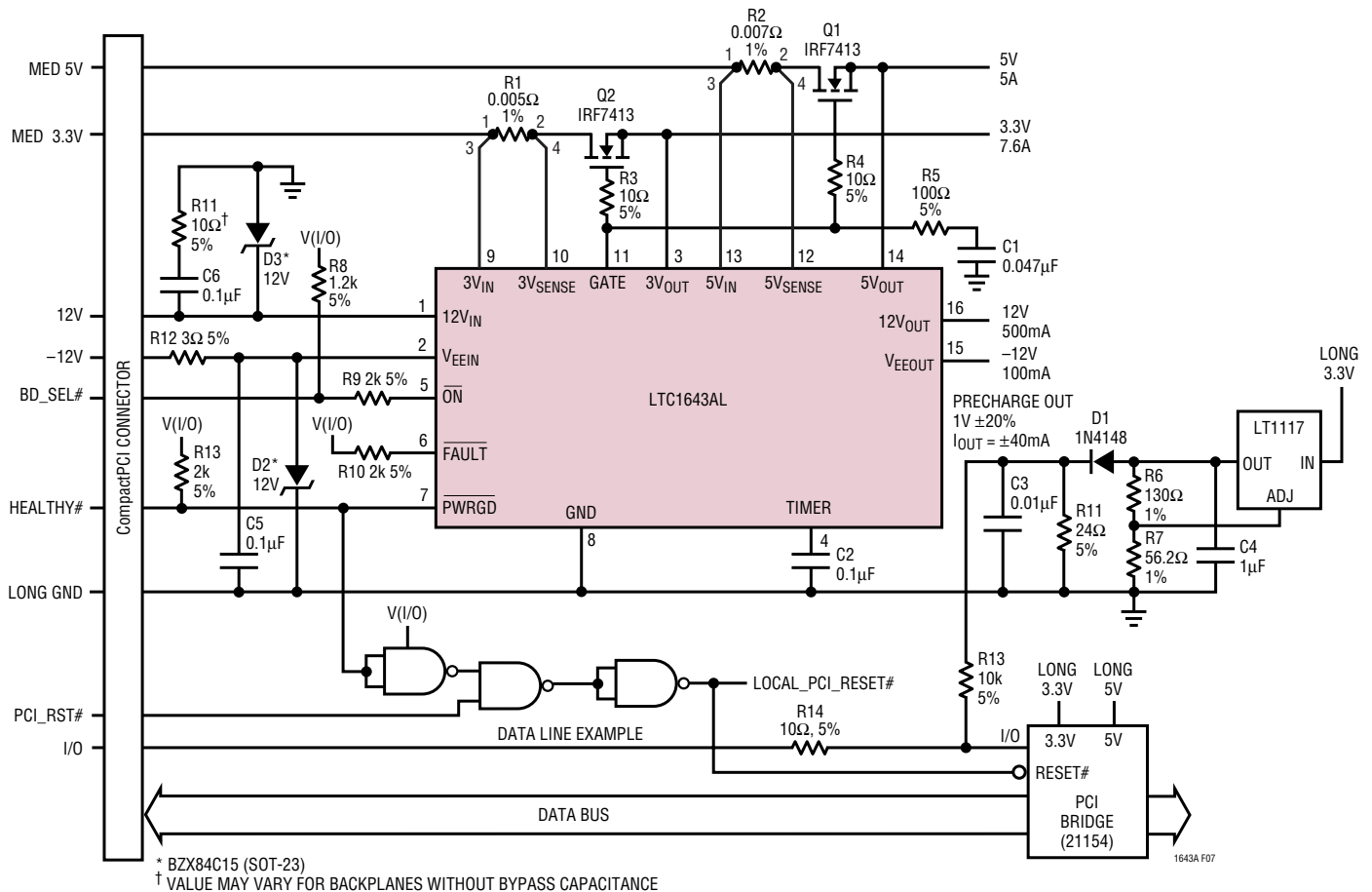


Figure 7. Typical CompactPCI Application

circuit, PCI bridge chip and the LOCAL_PCI_RESET# logic circuitry. The BD_SEL# signal is connected to the ON pin while the PWRGD pin is connected to the HEALTHY# signal. The HEALTHY# signal is combined with the PCI_RESET# signal to generate the LOCAL_PCI_RESET# signal. Capacitors C6 and C7 provide chip bypassing on the 12V and -12V inputs. Diode D2 protects the part from voltage surges below -13.2V on the -12V supply.

The 1V precharge voltage for the data bus lines is generated by an LT1117 low dropout regulator. The output of the LT1117 is set to 1.8V, then the voltage is dropped by a 1N4148 diode to generate 1V. The precharge circuit is capable of sourcing and sinking 40mA.

LTC1643AL-1

The LTC1643AL-1 is designed for CompactPCI designs where the ±12V supplies are not being used on the board or the supplies are not well regulated. The power good comparators on the 12V_{OUT} and V_{EEOUT} pins are disabled. The V_{EEIN} pin can be connected to GND and the part will still operate normally if a -12V_{OUT} output is not needed. However, 12V is still required at the 12V_{IN} pin for the part to function. Refer to Figure 10 for a typical LTC1643AL-1 application circuit.

APPLICATIONS INFORMATION

Increasing 12V and -12V Current Capability for PCI Applications

The internal switches of the LTC1643A are designed for up to 500mA loads on 12V and 200mA on -12V. If more current is needed, then the circuits in Figure 8 can be used.

For the 12V supply, P-channel transistor Q4 is placed in parallel with the internal switch. When the LTC1643AH is turned off, the GATE pin is held low and transistor Q3 is turned on which pulls the gate of Q4 high, turning it off. When the LTC1643AH is turned on, the GATE pin goes high, turning off Q3 and allowing R8 to pull the gate of Q4 low to turn it on.

Because Q4 is in parallel with the internal 12V switch, the load current will be shared in proportion to their respective $R_{DS(ON)}$ values. For example, if the $R_{DS(ON)}$ of the external switch is 0.2Ω and the internal switch is 0.4Ω , then, at 1.5A load current, the external switch will provide 1A and the internal switch 500mA. The circuit breaker current will

be reached when the internal current reaches 1A and the external current is 2A or 3A load current.

For the -12V supply, N-channel transistor Q6 is used to provide the extra load current. When the LTC1643AH is turned on, the internal V_{EE} switch is turned on and the -12V output starts to pull down through D1 and turns on Q5. When Q5 turns on, the gate of Q6 starts to rise, turning it on. When the LTC1643AH turns off, the V_{EEOUT} pin is pulled up to ground, diode D1 is reversed biased, and transistor Q5 turns off, which allows resistor R10 to turn off Q6.

The internal -12V switch provides the current limit for the supply, but because the high $R_{DS(ON)}$ of the internal switch (1.2Ω) is in series with D1, very large currents can flow through Q6 before the circuit breaker trips. However, if a short to ground occurs on the -12V output, diode D1 will prevent Q5 from turning on, which will prevent Q6 from turning on.

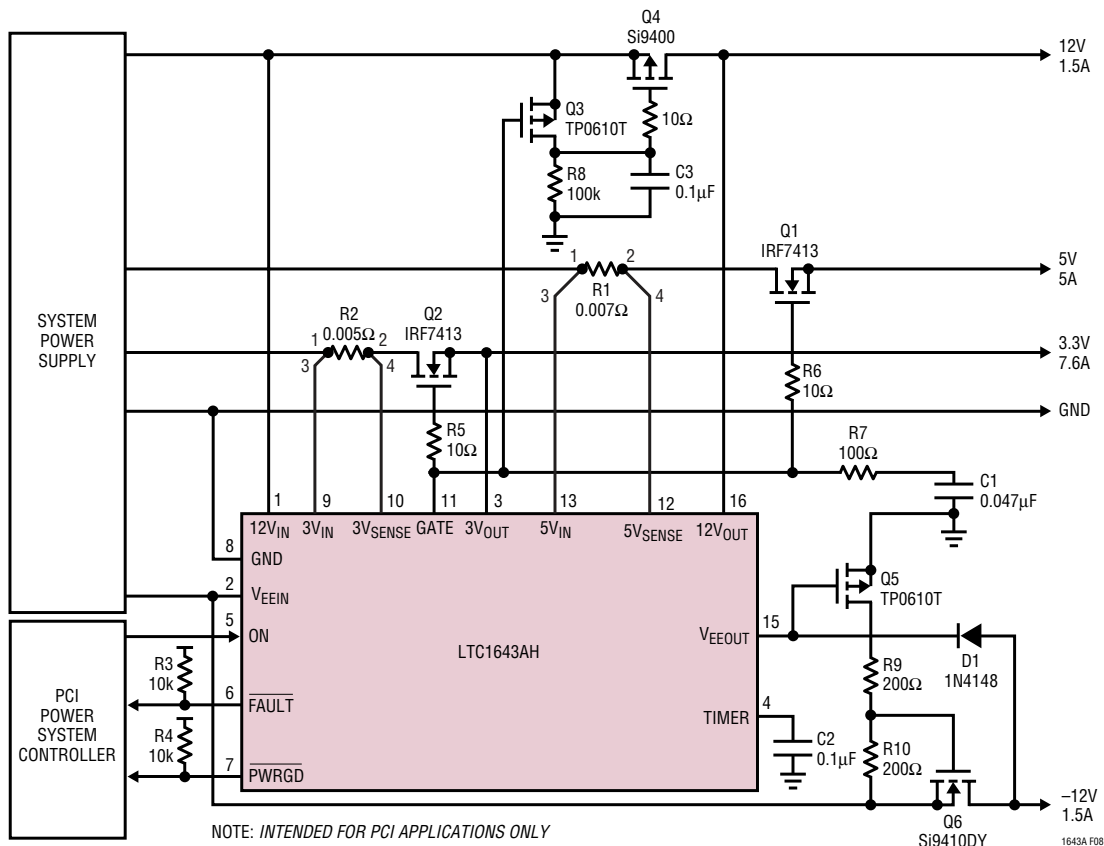
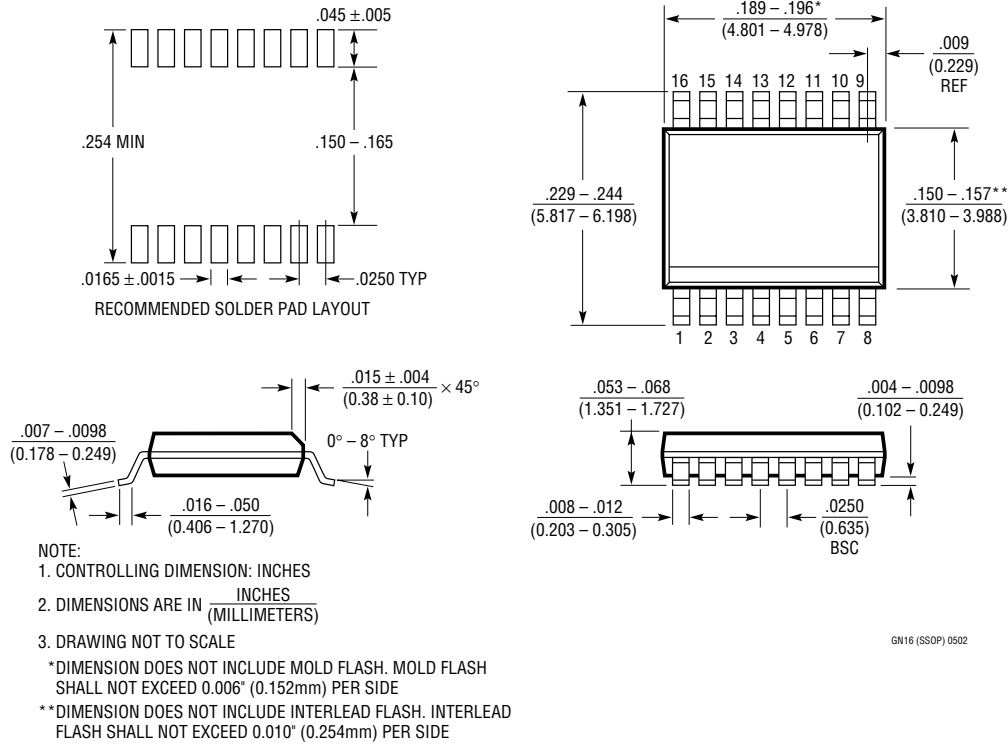


Figure 8. Increasing 12V and -12V Current Capability for PCI Applications

PACKAGE DESCRIPTION

GN Package
16-Lead Plastic SSOP (Narrow .150 Inch)
(Reference LTC DWG # 05-08-1641)



TYPICAL APPLICATIONS

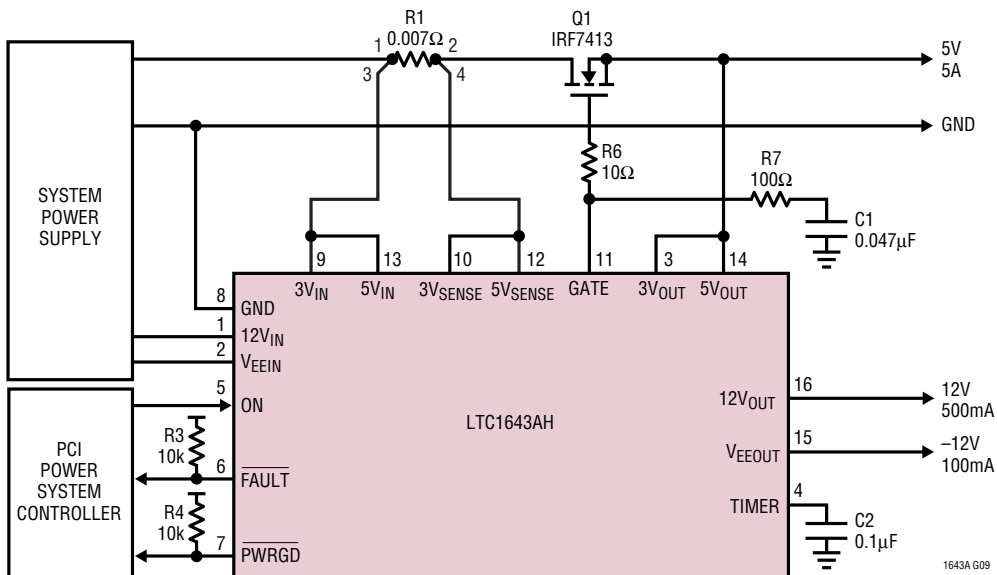


Figure 9. System Without 3.3V Supply

TYPICAL APPLICATIONS

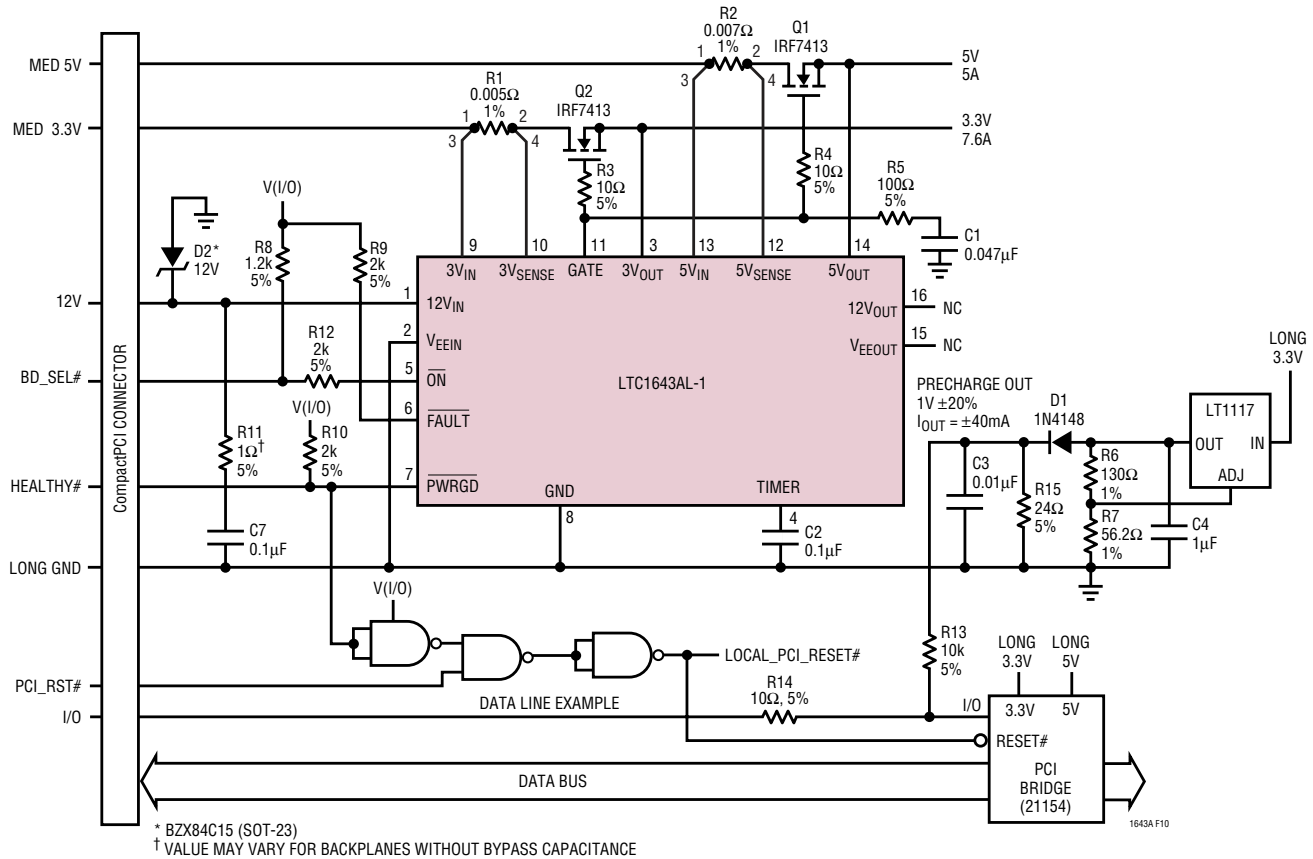


Figure 10. CompactPCI Application without $\pm 12V$ Outputs

RELATED PARTS

PART NUMBER	DESCRIPTION	COMMENTS
LTC1421	Hot Swap Controller	Multiple Supplies from 3V to 12V and $-12V$
LTC1422	Hot Swap Controller in SO-8	Single Supply form 3V to 12V, RESET Output
LT [®] 1640A	$-48V$ Hot Swap Controller in SO-8	$-10V$ to $-80V$ Supplies
LT1641-1/LT1641-2	Positive High Voltage Hot Swap Controller in SO-8	Operates from 9V to 80V, Active Current Limiting
LTC1642	Fault Protected Hot Swap Controller	Operation Up to 15V, Handles Surges to 33V
LTC1644	CompactPCI Hot Swap Controller	3.3V, 5V, $\pm 12V$, Local Reset Logic, 1V Precharge
LTC1645	2-Channel Hot Swap Controller	Operates from 1.2V to 12V, Power Sequencing
LTC1646	Dual CompactPCI Hot Swap Controller	3.3V, 5V Supplies, 1V Precharge, Local Reset Logic
LTC1647	Dual Hot Swap Controller	Dual ON Pins for Supplies from 3V to 15V
LTC4211	Hot Swap Controller with Multifunction Current Control	2.5V to 16.5V Operation, MSOP
LTC4230	Triple Hot Swap Controller	1.7V to 16.5V Operation, Multifunction Current Control
LT4250	$-48V$ Hot Swap Controller in SO-8	$-20V$ to $-80V$ Supplies, Active Current Limiting
LTC4251	$-48V$ Hot Swap Controller in SOT-23	$-15V$ Minimum Floating Supply, Active Current Limiting
LTC4252	$-48V$ Hot Swap Controller in MSOP	Floating Supply, Power Good, Active Current Limiting

1643afb