

735160 ✓ ACTIVE

FASTON | FASTON 250

TE Internal #: 735160

Quick Disconnects, Receptacle, 12 AWG Wire Size, 3 mm<sup>2</sup> Wire Size, 6088 – 6654 CMA Wire Size, Mating Tab Width 6.35 mm [.25 in], Straight, FASTON 250

[View on TE.com >](#)



Terminals & Splices > Quick Disconnects



Quick Disconnect Terminal Type: **Receptacle**

Wire Size: **6088 – 6654 CMA**

Mating Tab Width: **6.35 mm [.25 in]**

## Features

### Product Type Features

Insertion Force	Normal
-----------------	--------

### Configuration Features

Compatible With Wire & Cable Type	Discrete Wire
-----------------------------------	---------------

### Electrical Characteristics

Voltage Rating	300 V
----------------	-------

### Body Features

Insulation Material	Nylon
---------------------	-------

### Contact Features

Quick Disconnect Terminal Type	Receptacle
--------------------------------	------------

Mating Tab Width	6.35 mm [.25 in]
------------------	------------------

Mating Tab Thickness	.81 mm [.032 in]
----------------------	------------------

Terminal Orientation	Straight
----------------------	----------

Contact Base Material	Brass
-----------------------	-------

Terminal Plating Material	Tin
---------------------------	-----

Crimp Type	Compression
------------	-------------



Barrel Type	Closed
-------------	--------

### Termination Features

Product Terminates To	Wire & Cable
-----------------------	--------------

### Mechanical Attachment

Wire Insulation Support	With
-------------------------	------

Mating Retention Type	Dimple
-----------------------	--------

### Dimensions

Product Length	21.5 mm [.846 in]
----------------	-------------------

Compatible Insulation Diameter Range	4 mm [.157 in]
--------------------------------------	----------------

Wire Size	6088 – 6654 CMA
-----------	-----------------

### Usage Conditions

Insulation Option	Fully Insulated
-------------------	-----------------

Operating Temperature Range	105 °C [221 °F]
-----------------------------	-----------------

### Packaging Features

Packaging Quantity	100
--------------------	-----

Packaging Method	Bag
------------------	-----

### Other

Barrel Color	Blue
--------------	------

Terminals & Splices Comment	Fully Insulated
-----------------------------	-----------------

### Product Compliance

[For compliance documentation, visit the product page on TE.com>](#)

EU RoHS Directive 2011/65/EU	Compliant
------------------------------	-----------

EU ELV Directive 2000/53/EC	Compliant
-----------------------------	-----------

China RoHS 2 Directive MIIT Order No 32, 2016	No Restricted Materials Above Threshold
---	---

EU REACH Regulation (EC) No. 1907/2006	Current ECHA Candidate List: JUNE 2023 (235) Candidate List Declared Against: JUNE 2023 (235) Does not contain REACH SVHC
--	---

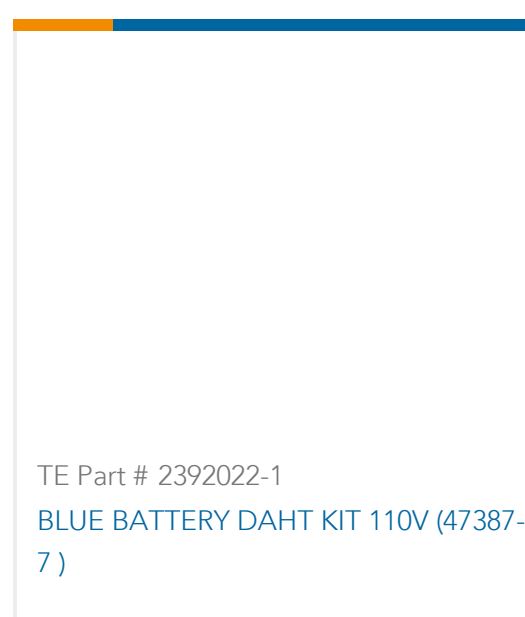
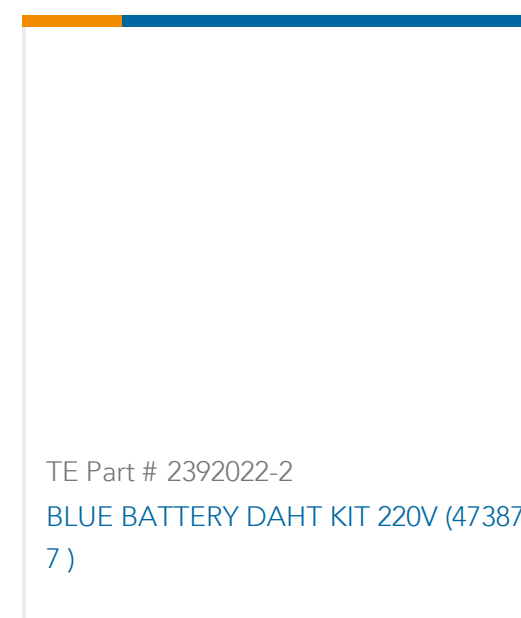
Halogen Content	Low Halogen - Br, Cl, F, I < 900 ppm per homogenous material. Also BFR/CFR/PVC Free
-----------------	---

Solder Process Capability	Not applicable for solder process capability
---------------------------	--

## Product Compliance Disclaimer

This information is provided based on reasonable inquiry of our suppliers and represents our current actual knowledge based on the information they provided. This information is subject to change. The part numbers that TE has identified as EU RoHS compliant have a maximum concentration of 0.1% by weight in homogenous materials for lead, hexavalent chromium, mercury, PBB, PBDE, DBP, BBP, DEHP, DIBP, and 0.01% for cadmium, or qualify for an exemption to these limits as defined in the Annexes of Directive 2011/65/EU (RoHS2). Finished electrical and electronic equipment products will be CE marked as required by Directive 2011/65/EU. Components may not be CE marked. Additionally, the part numbers that TE has identified as EU ELV compliant have a maximum concentration of 0.1% by weight in homogenous materials for lead, hexavalent chromium, and mercury, and 0.01% for cadmium, or qualify for an exemption to these limits as defined in the Annexes of Directive 2000/53/EC (ELV). Regarding the REACH Regulation, the information TE provides on SVHC in articles for this part number is based on the latest European Chemicals Agency (ECHA) 'Guidance on requirements for substances in articles' posted at this URL: <https://echa.europa.eu/guidance-documents/guidance-on-reach>

## Compatible Parts

Also in the Series | **FASTON 250**



Compression Connectors(4)



Crimp Terminal Housings(142)



Insertion & Extraction Tools(6)



Magnet Wire Terminals(1)



PCB Terminals(135)



Quick Disconnects(445)



Splices(4)

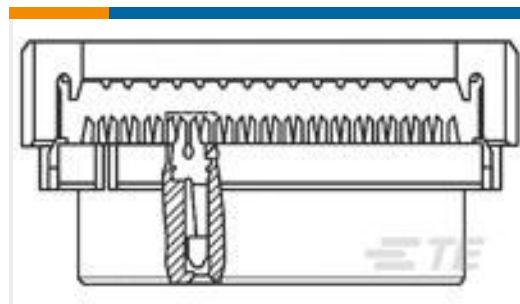
## Customers Also Bought



TE Part #5747841-2  
15 MSFL PLUG RA 318 (FM,BL)



TE Part #2-2176052-2  
RLP73N 1J R39 5% 5K RL



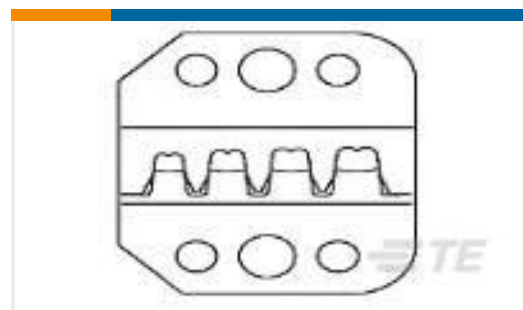
TE Part #1-111626-9  
20, 2MM, 30 DP, LEAD FREE



TE Part #2267077-2  
TMD1T4B5M2RE



TE Part #881945-000  
B-053-70-05



TE Part #90871-2  
PROCIMP DIE COMM .093 PIN/SOC



TE Part #6-2176422-3  
TLRP 2512 3.0W R035 1% 50PPM 4K RL

## Documents

**Product Drawings**  
250 PIDG FAST REC

English

**CAD Files**

3D PDF

English

**Customer View Model**

ENG\_CVM\_735160\_L.3d\_igs.zip



English

Customer View Model

[ENG\\_CVM\\_735160\\_L.3d\\_stp.zip](#)

English

Customer View Model

[ENG\\_CVM\\_735160\\_L.2d\\_dxf.zip](#)

English

By downloading the CAD file I accept and agree to the [Terms and Conditions](#) of use.

---

## Product Specifications

[Product Specification](#)

English

---

## Product Environmental Compliance

[MD\\_735160\\_061420171222\\_dmtec](#)

English

[MD\\_735160\\_061420171222\\_dmtec](#)

English

---

## Instruction Sheets

[Instruction Sheet \(non U.S.\)](#)

English

[APPLICATION OF AMP FULLY INSULATED FASTON\\* RECEPTACLES \(6,35mm\)](#)

English