


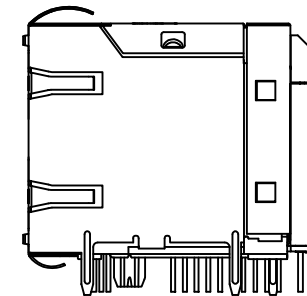
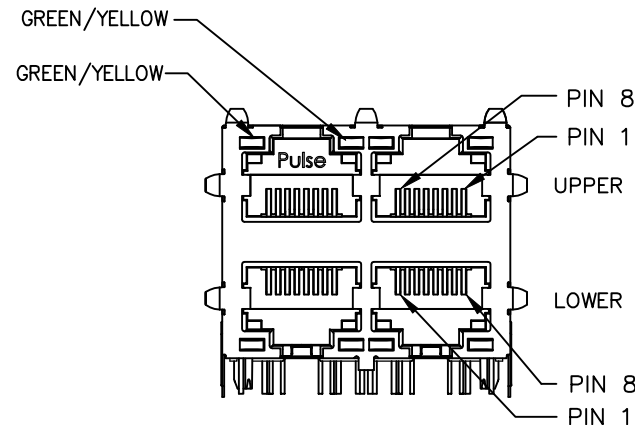
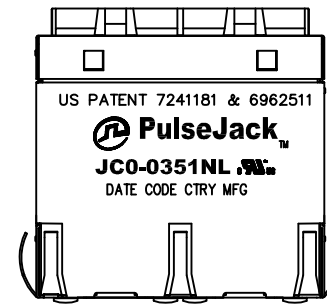
NOTES: UNLESS OTHERWISE SPECIFIED

1. THIS COMPONENT CONFORMS TO UL60950. UL FILE NO. IS: E216117.

	WARNING: THIS COMPONENT IS RECOGNIZED BY ONE OR MORE SAFETY AGENCIES SUCH AS UL, VDE, CSA AND/OR TUV. ALL ENGINEERING CHANGES MUST HAVE PRIOR APPROVAL BY THE DESIGN CENTER PRODUCT SAFETY DEPARTMENT FOR SAFETY AGENCY COMPLIANCE.	ECN APPROVAL: QA APPROVAL: DATE:

- 2.
- | | |
|---|--|
| NOTICE:
 | THIS IS A RoHS COMPLIANT COMPONENT/PRODUCT. ALL ENGINEERING CHANGES MUST HAVE PRIOR APPROVAL BY THE DESIGN CENTER. |
|---|--|

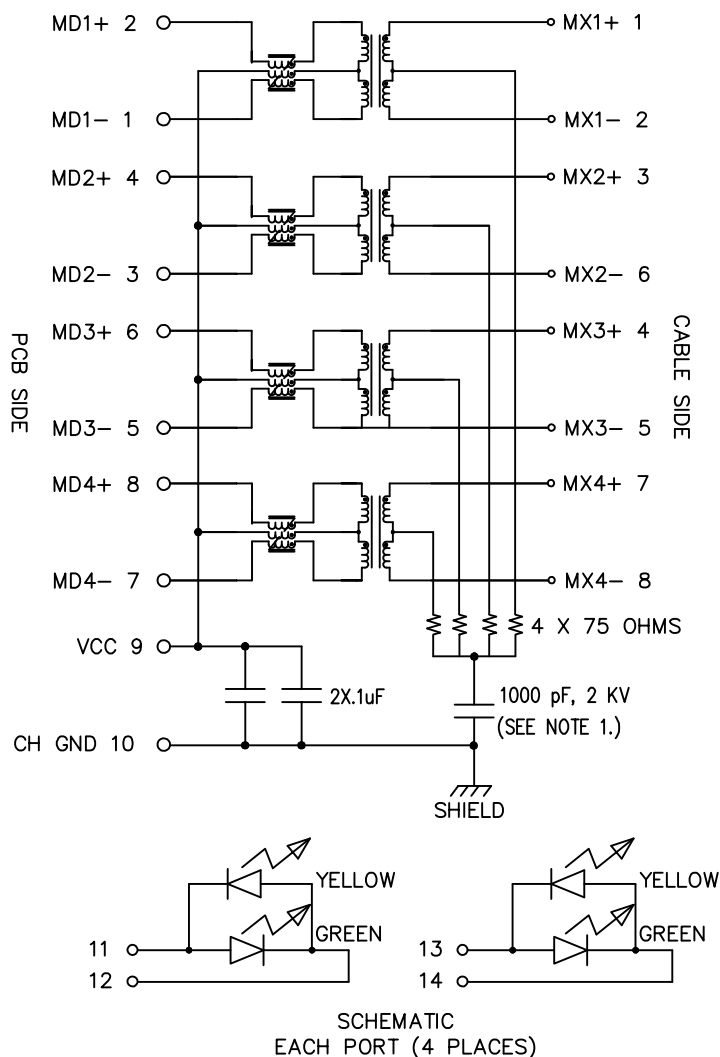
3. PLASTIC HOUSING: THERMOPLASTIC MATERIAL WITH FLAMMABILITY RATING UL 94V-0 OR BETTER.
4. CONTACT BASE MATERIAL: PHOSPHOR BRONZE.
5. CONTACTS UNDERPLATE: 30-50 MICROINCHES DUCTILE NICKEL.
6. CONTACTS PLATING: 30 MICRO-INCH GOLD PLATING.
7. SOLDER TAIL PLATING MATERIAL: 200-500 μINCHES 100% TIN, MATTE FINISH.
8. METAL SHIELD: NICKEL PLATING ON COPPER ALLOY.
9. JACK CAVITY CONFORMS TO FCC RULES AND REGULATIONS PART 68 SUBPART F.
10. PCB PLATING: HASL (TOP PCB)
ENIG (BOTTOM PCB)
11. SOLDERABILITY: CONFORMS TO ANSI/J-STD-002, IPC/EIA J-STD-003A.
12. OPERATING TEMPERATURE: 0°C TO +70°C
13. STORAGE TEMPERATURE: -20°C TO +125°C
14. JEDEC MOISTURE: LEVEL 1.
15. DIMENSIONS ARE IN INCHES [MILLIMETERS] WITH THE FOLLOWING TOLERANCES: [MILLIMETERS] ARE FOR REFERENCE ONLY.
.XX= ±.02 [±0.5]
.XXX= ±.010 [±0.25]



FINAL OUTLINE

© Copyright, 2017. Pulse Electronics Corp. All rights reserved. Pulse confidential & proprietary. (11/06/17)

PRODUCT DESCRIPTION	TLA DRAWING	PS DRAWING	SHEET	PART NO.	DATASHEET REV.
CONN,RJ45,2X2,1GD,1: 1,TY	JCO-0351NL-16	PS-2416.121-A	1 OF 4	JCO-0351NL	A



NOTE 1: HIGH-VOLTAGE CAPACITOR IS COMMON FOR UPPER AND LOWER PORTS.

ELECTRICAL CHARACTERISTICS AT +25°C UNLESS OTHER SPECIFIED
(FOR REFERENCE ONLY. USED FOR CUSTOMER INFORMATION.)

PARAMETER	SPECIFICATIONS	
OPERATING TEMP	0°C - 70°C	
TURNS RATIO	1.00 ± 2%	
POLARITY	PER SCHEMATIC	
INSERTION LOSS	100 KHz	1-125 MHz
	-1.2 dB MAX	-0.2-0.002*f ^{1.4} dB MAX
RETURN LOSS (Z OUT = 100 OHM ±15%)	.1-40 MHz	40-100 MHz
	-18 dB MIN	-12+20*LOG ₁₀ (f/80 MHz) dB MIN
INDUCTANCE (OCL) (MEDIA SIDE, 0°C-70°C)	350 uH MIN (MEASURED AT 100 KHz, 100 mVRMS AND WITH 8 mA DC BIAS)	
CROSSTALK, ADJACENT CHANNELS	1 MHz	10-100 MHz
	-50 dB MIN	-55+22*LOG ₁₀ (f/10) dB MIN
COMMON MODE REJECTION RATIO	2 MHz	30-200 MHz
	-50 dB MIN	-15+20*LOG ₁₀ (f/200) dB MIN
INPUT - OUTPUT ISOLATION	2250 VDC MIN @ 60 SECONDS	

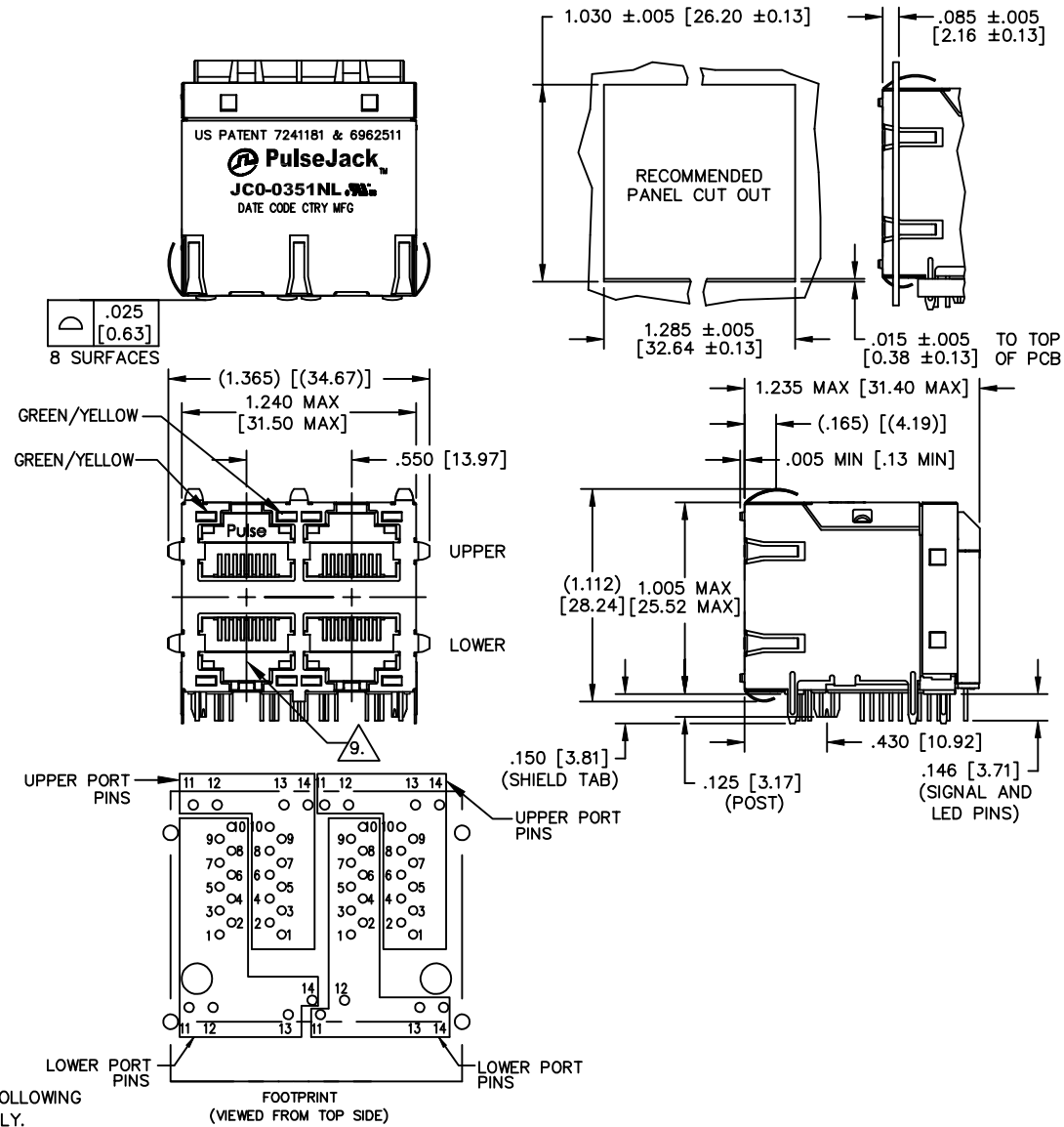
NOTE: f IS FREQUENCY IN MHz.

EMMITTED COLOR	GREEN	YELLOW
WAVELENGTH (nm)	570 nm	587 nm
BRIGHTNESS (mCD)	8 TYP. AT 20 mA	6.5 TYP. AT 20 mA
VIEWING ANGLE	100°	100°
POWER DISSIPATION (Pd)	80 mW MAX	80 mW MAX
FORWARD VOLTAGE (Vf)	2.0 TO 2.6 V (UPPER PORT)	2.1 TO 2.6 V (UPPER PORT)
	2.2 TO 2.8 V (LOWER PORT)	2.15 TO 2.8 V (LOWER PORT)
REVERSE VOLTAGE (Vr)	5.0 V MAX	5.0 V MAX

NOTE: PER VENDOR'S SPECIFICATIONS

© Copyright, 2017. Pulse Electronics Corp. All rights reserved. Pulse confidential & proprietary. (11/06/17)

PRODUCT DESCRIPTION	TLA DRAWING	PS DRAWING	SHEET	PART NO.	DATASHEET REV.
CONN,RJ45,2X2,1GD,1:1,TY	JCO-0351NL-16	PS-2416.121-A	2 OF 4	JCO-0351NL	A

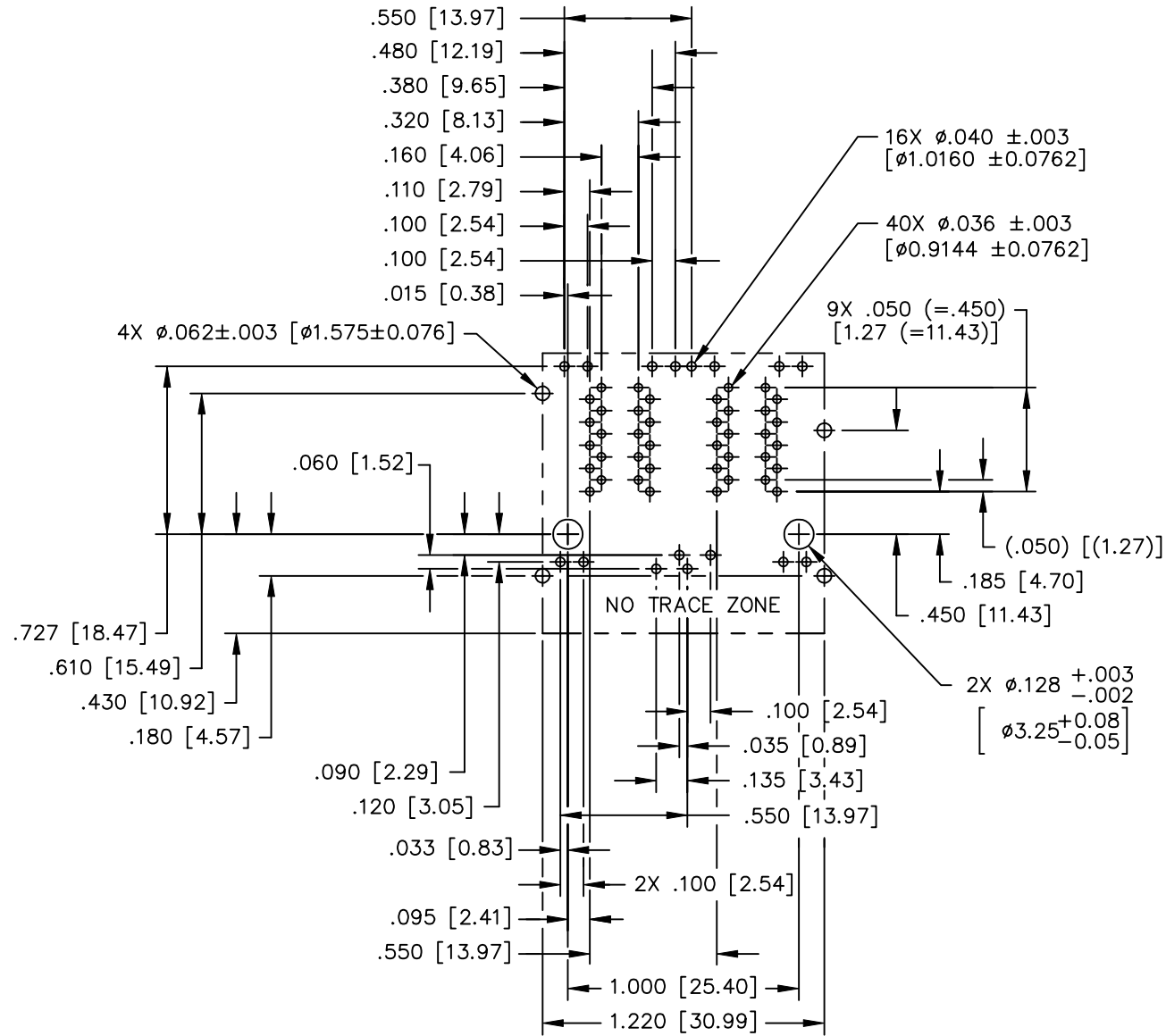


DIMENSIONS ARE IN INCHES [MILLIMETERS] WITH THE FOLLOWING TOLERANCES: [MILLIMETERS] ARE FOR REFERENCE ONLY.

.XX= ±.02 [±0.5]
.XXX= ±.010 [±0.25]

© Copyright, 2017. Pulse Electronics Corp. All rights reserved. Pulse confidential & proprietary. (11/06/17)

PRODUCT DESCRIPTION	TLA DRAWING	PS DRAWING	SHEET	PART NO.	DATASHEET REV.
CONN,RJ45,2X2,1GD,1:1,TY	JCO-0351NL-16	PS-2416.121-A	3 OF 4	JCO-0351NL	A



SUGGESTED PC BOARD LAYOUT VIEWED FROM COMPONENT SIDE
UNLESS OTHERWISE SPECIFIED DIMENSIONAL TOLERANCE IS ±.002

© Copyright, 2017. Pulse Electronics Corp. All rights reserved. Pulse confidential & proprietary. (11/06/17)

PRODUCT DESCRIPTION	TLA DRAWING	PS DRAWING	SHEET	PART NO.	DATASHEET REV.
CONN,RJ45,2X2,1GD,1: 1,TY	JCO-0351NL-16	PS-2416.121-A	4 OF 4	JCO-0351NL	A