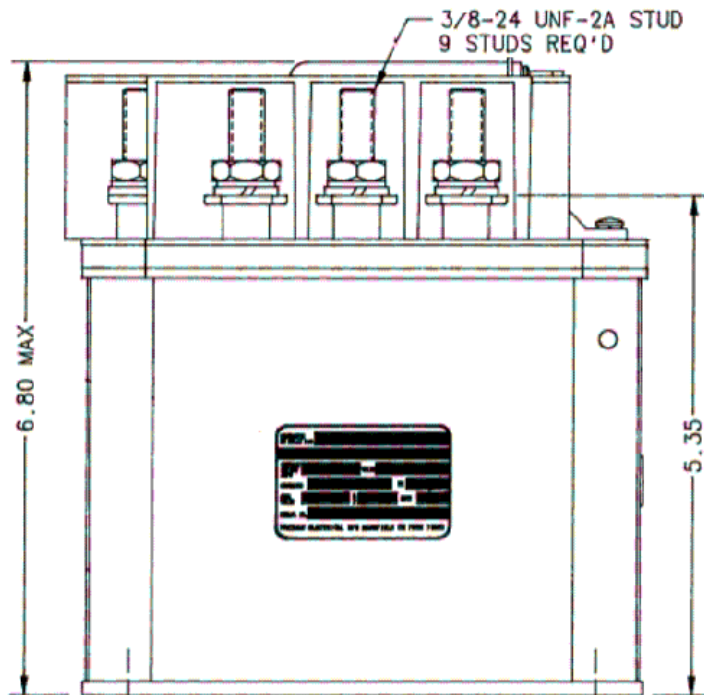
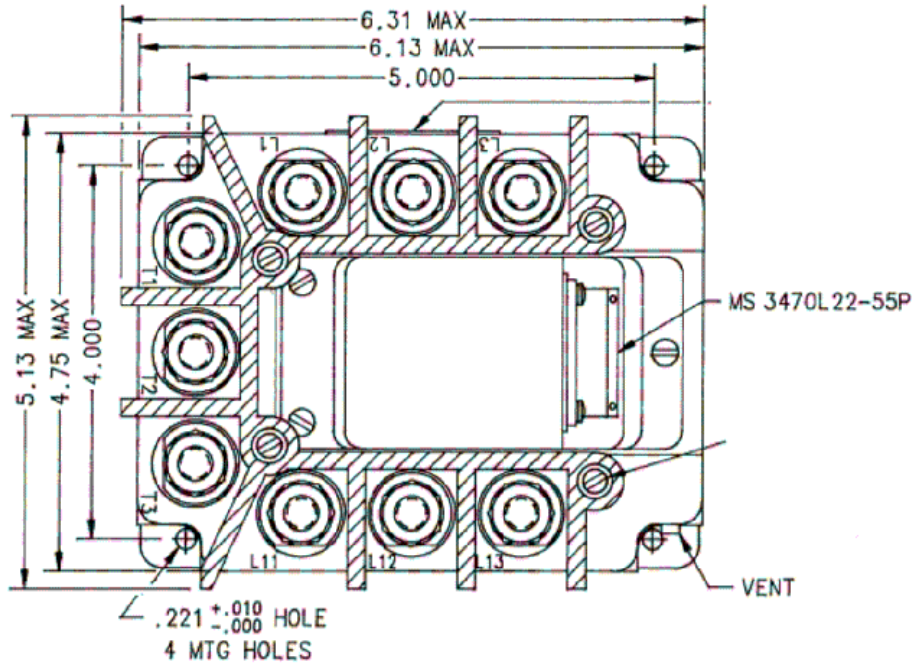


B-461D  
A.C. POWER CONTACTOR  
175-250 AMP  
TPDT CENTER OFF

REVISIONS

REV.	ECO	DESCRIPTION	DATE	APPROVED
M	30313	FIND NO 4 WASHER-LOCK NO 6 INT WAS SPLIT	22MAY1996	RSS



ALL DIMENSIONS ARE IN INCHES

**TE**  
TE CONNECTIVITY  
175 N. DIAMOND STREET MANSFIELD,  
OHIO 44902

TITLE  
A.C. POWER CONTACTOR  
175-250 AMP  
TPDT CENTER OFF

TE P.N.  
1616045-4

DWG NO.  
B-461D

DS DATA SHEET

CAGE CODE  
74063

SCALE  
NONE

SHEET  
1 OF 2

REV  
M

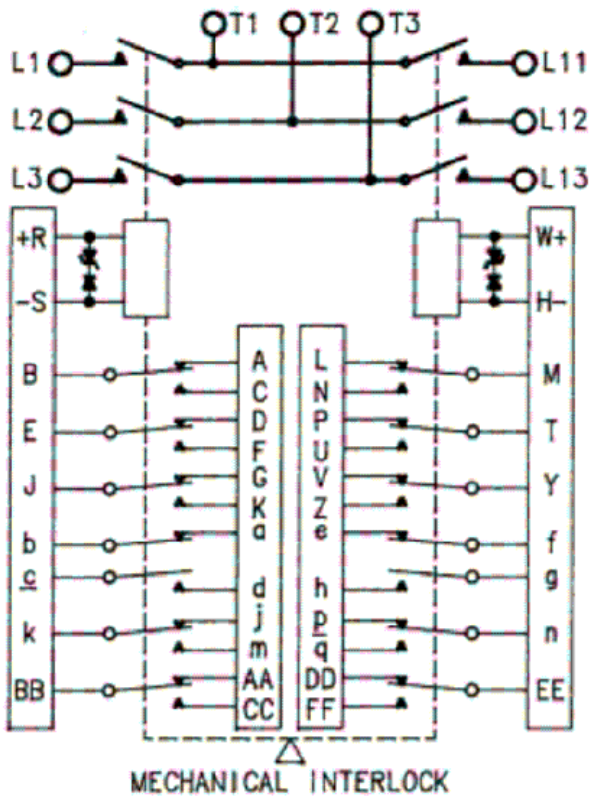
GENERAL SPECIFICATION

FAA/PMA

NOTES:

1. THIS UNIT MEETS THE MATERIAL AND WORKMANSHIP REQUIREMENTS OF MIL-R-6106
2. KEYWAY POSITIONED TOWARDS TOP OF CONNECTOR
3. COIL TRANSIENT VOLTAGE LIMITED TO  $\pm 42V$  MAX
4. DIODES TO BE JANTX 1000 PIV

SCHEMATIC



**TE**  
 TE CONNECTIVITY  
 175 N, DIAMOND STREET MANSFIELD,  
 OHIO 44902

TITLE  
 A.C. POWER CONTACTOR  
 175-250 AMP  
 TPDT CENTER OFF

TE P.N.  
 1616045-4

DWG NO.  
 B-461D

DS DATA SHEET

CAGE CODE  
 74063

SCALE  
 NONE

SHEET  
 2 OF 2

REV  
 M