

SMD SHIELDED POWER INDUCTOR

ASPI - 0602S

 RoHS / RoHS II Compliant



6.7 x 6.7 x 3.0mm

FEATURES:

- Compact size: 6.7 x 6.7 x 3.0mm
- Magnetically shielded, surface mount inductor
- Large DC current & low DC resistance

APPLICATIONS:

- Excellent for power line DC-DC
- Conversion applications used in hard disk notebook computers and other electronic equipment .

ELECTRICAL SPECIFICATIONS:

Operating Temperature: -40°C to +125°C (including self-generated heat)

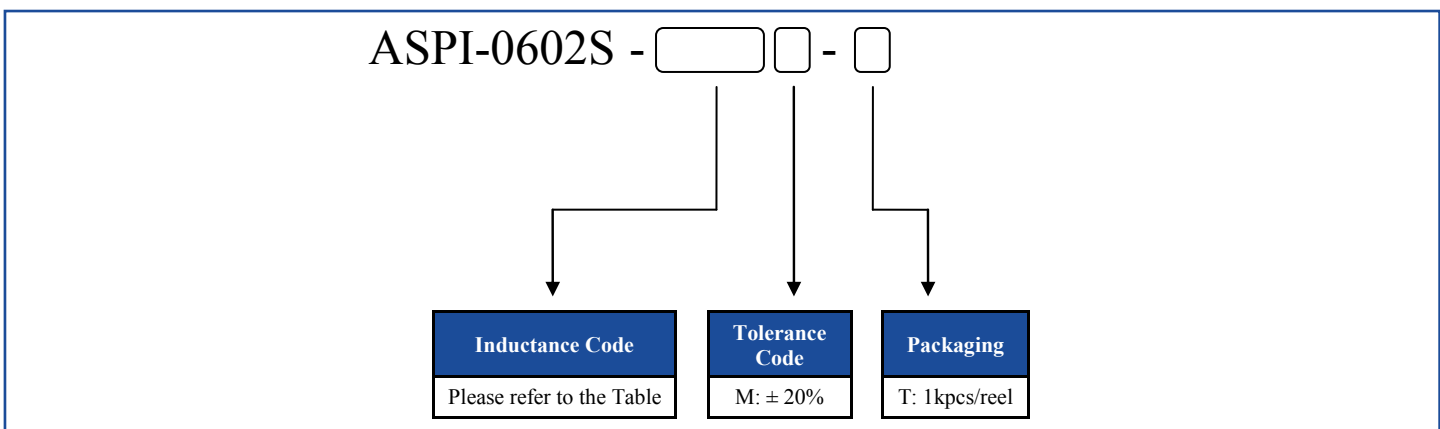
Storage Temperature: -40°C to +125°C

| Part Number ASPI-0602S- Inductance Code | Inductance (μ H) | Tolerance (%) | DC Resistance Max (Ω) | IDC Max (A) |
|---|--------------------------|------------------|--------------------------------------|-------------------|
| ASPI-0602S-3R0 | 3.0 | M | 0.024 | 3.00 |
| ASPI-0602S-3R3 | 3.3 | M | 0.040 | 3.00 |
| ASPI-0602S-3R9 | 3.9 | M | 0.027 | 2.60 |
| ASPI-0602S-5R0 | 5.0 | M | 0.031 | 2.40 |
| ASPI-0602S-6R0 | 6.0 | M | 0.035 | 2.25 |
| ASPI-0602S-7R3 | 7.3 | M | 0.054 | 2.10 |
| ASPI-0602S-8R6 | 8.6 | M | 0.058 | 1.85 |
| ASPI-0602S-100 | 10 | M | 0.065 | 1.70 |
| ASPI-0602S-120 | 12 | M | 0.070 | 1.55 |
| ASPI-0602S-150 | 15 | M | 0.084 | 1.40 |
| ASPI-0602S-180 | 18 | M | 0.095 | 1.32 |
| ASPI-0602S-220 | 22 | M | 0.128 | 1.20 |
| ASPI-0602S-270 | 27 | M | 0.142 | 1.05 |
| ASPI-0602S-330 | 33 | M | 0.165 | 0.97 |
| ASPI-0602S-390 | 39 | M | 0.210 | 0.86 |
| ASPI-0602S-470 | 47 | M | 0.238 | 0.80 |
| ASPI-0602S-560 | 56 | M | 0.277 | 0.73 |
| ASPI-0602S-680 | 68 | M | 0.304 | 0.65 |
| ASPI-0602S-820 | 82 | M | 0.390 | 0.60 |
| ASPI-0602S-101 | 100 | M | 0.535 | 0.54 |

Test Conditions

1. Inductance: 10kHz, 0.25V
2. IDC: Inductance decreases to 65% of initial value or temperature of coil increased by 30°C

OPTIONS AND PART IDENTIFICATION:



SMD SHIELDED POWER INDUCTOR



6.7 x 6.7 x 3.0mm

ASPI - 0602S

RoHS / RoHS II Compliant

OUTLINE DIMENSION:

| A | B | C | D | E | F |
|---------|---------|----------|------|------|------|
| 6.7±0.3 | 6.7±0.3 | 3.0 max. | 2.65 | 2.00 | 7.30 |

Dimension: mm

REFLOW PROFILE:

| Zone | Description | Temperature | Time |
|------|----------------|------------------------------------|------------------|
| 1 | Preheat / Soak | $T_{S\text{MAX}}$ 120°C ~ 180°C | 50 ~ 150 sec. |
| 2 | Reflow | T_L 217°C | 90 sec. |
| 3 | Peak heat | T_P 255°C ~ 260°C | 10 ~ 30 sec. MAX |

SMD SHIELDED POWER INDUCTOR

ASPI - 0602S

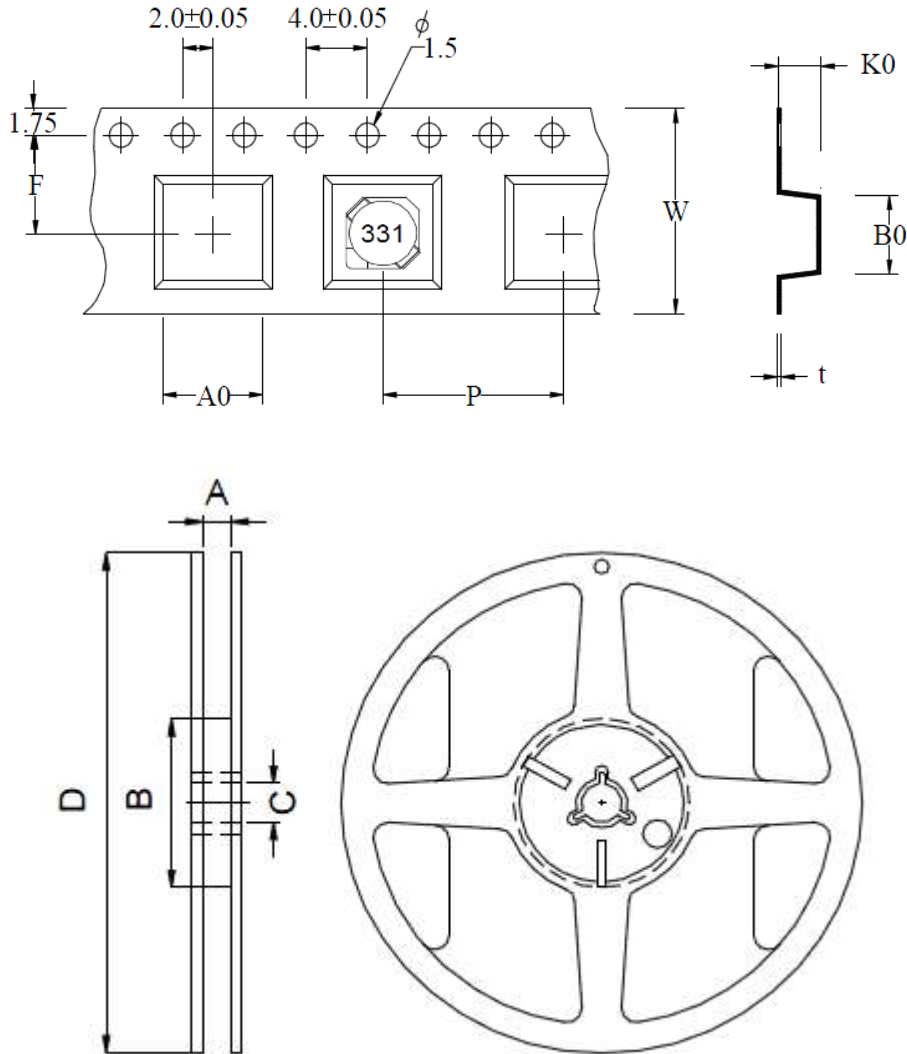
 RoHS / RoHS II Compliant



6.7 x 6.7 x 3.0mm

TAPE & REEL:

T= tape and reel (1,000pcs/reel)



| A0 | B0 | K0 | P | F | W | t | A | B | C | D |
|---------|---------|---------|--------|---------|--------|-----------|----------|---------|----------|---------|
| 7.0±0.1 | 7.0±0.1 | 3.3±0.1 | 12±0.1 | 7.5±0.1 | 16±0.3 | 0.35±0.05 | 16.5±0.2 | 100±0.5 | 13.2±0.3 | 330±1.0 |

Dimension: mm

ATTENTION: Abracon LLC's products are COTS – Commercial-Off-The-Shelf products; suitable for Commercial, Industrial and, where designated, Automotive Applications. Abracon's products are not specifically designed for Military, Aviation, Aerospace, Life-dependent Medical applications or any application requiring high reliability where component failure could result in loss of life and/or property. For applications requiring high reliability and/or presenting an extreme operating environment, written consent and authorization from Abracon LLC is required. Please contact Abracon LLC for more information.