

## 2- $V_{RMS}$ DirectPath™, 112/106/100-dB Audio Stereo DAC With 32-Bit, 384-kHz PCM Interface

Check for Samples: [PCM5100-Q1 \(Preliminary\)](#), [PCM5101-Q1 \(Preliminary\)](#), [PCM5102-Q1](#)

### FEATURES

- Qualified for Automotive Applications
- AEC-Q100 Qualified With the Following Results:
  - Device Temperature Grade 2: –40°C to 105°C Ambient Operating Temperature Range
  - Device HBM ESD Classification Level H2
  - Device CDM ESD Classification Level C3B
- Market-Leading Low Out-of-Band Noise
- Selectable Digital-Filter Latency and Performance
- No DC Blocking Capacitors Required
- Integrated Negative Charge Pump
- Internal Pop-Free Control For Sample-Rate Changes or Clock Halts
- Intelligent Muting System; Soft Up/Down Ramp and Analog Mute For 120-dB Mute SNR With Popless Operation.
- Integrated High-Performance Audio PLL With BCK Reference to Generate SCK Internally
- Small 20-pin TSSOP Package

### Typical Performance (3.3-V Power Supply)

Parameter	PCM5102-Q1 / PCM5101-Q1 / PCM5100-Q1
SNR	112 / 106 / 100 dB
Dynamic range	112 / 106 / 100 dB
THD+N at –1 dBFS	–93 / –92 / –90 dB
Full-scale output	2.1 $V_{RMS}$ (GND center)
Normal 8× oversampling digital-filter latency: 22 / $f_S$	
Low-latency 8× oversampling digital-filter latency: 3.5 / $f_S$	
Sampling frequency	8 kHz to 384 kHz
System clock multiples ( $f_{SCK}$ ): 64, 128, 192, 256, 384, 512, 768, 1024, 1152, 1536, 2048, 3072; up to 50 MHz	



Please be aware that an important notice concerning availability, standard warranty, and use in critical applications of Texas Instruments semiconductor products and disclaimers thereto appears at the end of this data sheet.

System Two Cascade, Audio Precision are trademarks of Audio Precision.  
DirectPath is a trademark of Texas Instruments, Inc..

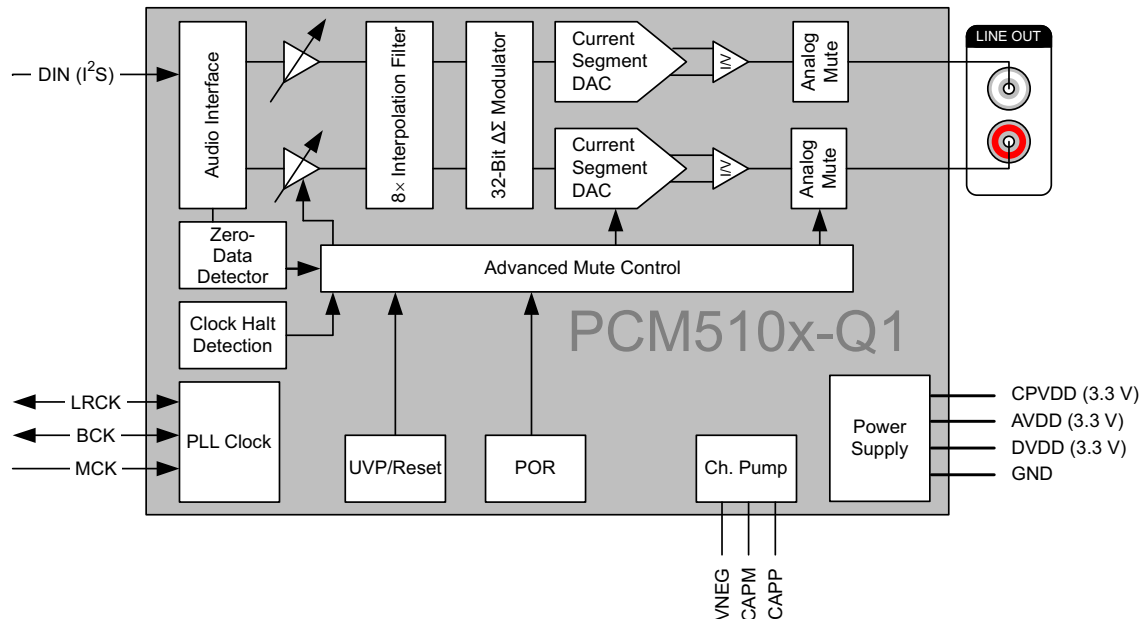


Figure 1. PCM510x-Q1 Functional Block Diagram

## OTHER KEY FEATURES

- Accepts 16-, 24-, and 32-Bit Audio Data
- PCM Data Formats: I<sup>2</sup>S, Left-Justified
- Automatic Power-Save Mode When LRCK And BCK Are Deactivated
- 3.3-V Failsafe LVCMOS Digital Inputs
- Hardware Configuration
- Single-Supply Operation:
  - 3.3-V Analog, 3.3-V Digital
- Integrated Power-On Reset

## APPLICATIONS

- A/V Receivers
- DVD, BD Players
- HDTV Receivers
- Applications Requiring 2-V<sub>RMS</sub> Audio Output

## DESCRIPTION

The PCM510x-Q1 family is a series of monolithic CMOS integrated circuits that include a stereo digital-to-analog converter and additional support circuitry in a small TSSOP package. The PCM510x-Q1 uses the latest generation of TI's advanced segment-DAC architecture to achieve excellent dynamic performance and improved tolerance to clock jitter.

The PCM510x-Q1 provides 2.1-V<sub>RMS</sub> ground-centered outputs, allowing designers to eliminate not only dc blocking capacitors on the output, but also external muting circuits traditionally associated with single-supply line drivers.

The integrated line driver surpasses all other charge-pump-based line drivers by supporting loads down to 1 kΩ. By supporting loads down to 1 kΩ, the PCM510x-Q1 can essentially drive up to 10 products in parallel (LCD TV, DVDR, AV receivers, and so on).

The integrated PLL on the device removes the requirement for a system clock (commonly known as master clock). This allows a three-wire I<sup>2</sup>S connection, along with reduced system EMI.

Intelligent clock error and PowerSense undervoltage protection uses a two-level mute system for pop-free performance. On clock error or system power failure, the device digitally attenuates the data (or last known-good data), then mutes the analog circuit.

Compared with existing DAC technology, the PCM510x-Q1 offers up to 20-dB lower out-of-band (OBN) noise, reducing EMI and aliasing in downstream amplifiers/ADCs. (from traditional 100-kHz OBN measurements all the way to 3 MHz)

The PCM510x-Q1 accepts industry-standard audio data formats with 16- to 32-bit data and supports sSample rates up to 384 kHz.

**Table 1. Ordering Information**

Part Number	T <sub>A</sub>	Top-Side Symbol
PCM5100TPWRQ1 (Preview)	–40°C to 105°C	PCM5100Q
PCM5101TPWRQ1 (Preview)	–40°C to 105°C	PCM5101Q
PCM5102TPWRQ1	–40°C to 105°C	PCM5102Q

## ABSOLUTE MAXIMUM RATINGS

over operating free-air temperature range (unless otherwise noted)

		VALUE	UNIT
Supply voltage	AVDD, CPVDD, DVDD	–0.3 to 3.9	V
Digital input voltage		–0.3 to 3.9	
Analog input voltage		–0.3 to 3.9	
Operating temperature range		–40 to 105	°C
Storage temperature range		–65 to 150	
ESD rating	Human-body model (HBM) AEC-Q100 Classification Level H2	2	kV
	Charged-device model (CDM) AEC-Q100 Classification Level C3B	750	V

## THERMAL CHARACTERISTICS

over operating free-air temperature range (unless otherwise noted)

PARAMETER		TEST CONDITIONS	MIN	TYP	MAX	UNIT
$\theta_{JA}$	Theta JA	High K		91.2		°C/W
$\Psi_{JT}$	Psi JT			1		
$\Psi_{JB}$	Psi JB			41.5		
$\theta_{JC}$	Theta JC	Top		25.3		
$\theta_{JB}$	Theta JB			42		

## RECOMMENDED OPERATING CONDITIONS

over operating free-air temperature range (unless otherwise noted)

			MIN	NOM	MAX	UNIT
<b>Power-Supply Requirements</b>						
DV <sub>DD</sub>	Digital supply voltage	Target DV <sub>DD</sub> = 3.3 V	3	3.3	3.6	VDC
AV <sub>DD</sub>	Analog supply voltage		3	3.3	3.6	VDC
CPV <sub>DD</sub>	Charge-pump supply voltage		3	3.3	3.6	VDC
I <sub>DD</sub>	DV <sub>DD</sub> supply current at 3.3 V <sup>(1)</sup>	f <sub>S</sub> = 48 kHz		7	12	mA
		f <sub>S</sub> = 96 kHz		8		
		f <sub>S</sub> = 192 kHz		9		
I <sub>DD</sub>	DV <sub>DD</sub> supply current at 3.3 V <sup>(2)</sup>	f <sub>S</sub> = 48 kHz		8	13	mA
		f <sub>S</sub> = 96 kHz		9		
		f <sub>S</sub> = 192 kHz		10		
I <sub>DD</sub>	DV <sub>DD</sub> supply current at 3.3 V <sup>(3)</sup>			0.5	0.8	mA
I <sub>CC</sub>	AV <sub>DD</sub> / CPV <sub>DD</sub> supply current <sup>(1)</sup>	f <sub>S</sub> = 48 kHz		11	16	mA
		f <sub>S</sub> = 96 kHz		11		
		f <sub>S</sub> = 192 kHz		11		

(1) Input is bipolar-zero data.

(2) Input is 1-kHz, –1-dBFS data.

(3) Power-down mode

**RECOMMENDED OPERATING CONDITIONS (continued)**

over operating free-air temperature range (unless otherwise noted)

			MIN	NOM	MAX	UNIT
<b>Power-Supply Requirements</b>						
I <sub>CC</sub>	AV <sub>DD</sub> / CPV <sub>DD</sub> supply current <sup>(2)</sup>	f <sub>S</sub> = 48 kHz		22	32	mA
		f <sub>S</sub> = 96 kHz		22		
		f <sub>S</sub> = 192 kHz		22		
I <sub>CC</sub>	AV <sub>DD</sub> / CPV <sub>DD</sub> supply current <sup>(3)</sup>	f <sub>S</sub> = N/A		0.2	0.4	mA
	Power dissipation, DV <sub>DD</sub> = 3.3 V <sup>(1)</sup>	f <sub>S</sub> = 48 kHz		59.4	92.4	mW
		f <sub>S</sub> = 96 kHz		62.7		
		f <sub>S</sub> = 192 kHz		66		
	Power dissipation, DV <sub>DD</sub> = 3.3 V <sup>(2)</sup>	f <sub>S</sub> = 48 kHz		99	148.5	mW
		f <sub>S</sub> = 96 kHz		102.3		
		f <sub>S</sub> = 192 kHz		105.6		
	Power dissipation, DV <sub>DD</sub> = 3.3 V <sup>(3)</sup>	f <sub>S</sub> = N/A (power-down mode)		2.3	4	mW

## ELECTRICAL CHARACTERISTICS

All specifications at  $T_A = 25^\circ\text{C}$ ,  $AV_{DD} = CPV_{DD} = DV_{DD} = 3.3\text{ V}$ ,  $f_S = 48\text{ kHz}$ , system clock =  $512 f_S$ , and 24-bit data unless otherwise noted.

PARAMETER	TEST CONDITIONS	MIN	TYP	MAX	UNIT
Resolution		16	24	32	Bits
<b>Data Format (PCM Mode)</b>					
	Audio data interface format	I <sup>2</sup> S, left justified			
	Audio data bit length	16, 24, 32-bit acceptable			
	Audio data format	MSB-first, 2s complement			
$f_S$	Sampling frequency	8		384	kHz
	System clock frequency	64, 128, 192, 256, 384, 512, 768, 1024, 1152, 1536, 2048, or 3072 $f_{SCK}$ , up to 50 Mhz			
<b>Digital Input/Output</b>					
Logic family: 3.3-V LVCMOS compatible					
$V_{IH}$	Input logic level	$0.7 \times DV_{DD}$			V
$V_{IL}$		$0.3 \times DV_{DD}$			
$I_{IH}$	Input logic current	$V_{IN} = V_{DD}$	10		$\mu\text{A}$
$I_{IL}$		$V_{IN} = 0\text{ V}$	-10		
$V_{OH}$	Output logic level	$I_{OH} = -4\text{ mA}$			V
$V_{OL}$		$I_{OL} = 4\text{ mA}$			
<b>Dynamic Performance (PCM Mode)<sup>(1)(2)</sup> (Values shown for three devices PCM5102-Q1/PCM5101-Q1/PCM5100-Q1)</b>					
THD+N at -1 dBFS <sup>(2)</sup>		$f_S = 48\text{ kHz}$	-93/-92/-90	-83/-82/-80	dB
		$f_S = 96\text{ kHz}$	-93/-92/-90		
		$f_S = 192\text{ kHz}$	-93/-92/-90		
Dynamic range <sup>(2)</sup>		EIAJ, A-weighted, $f_S = 48\text{ kHz}$	106/100/95	112/106/100	dB
		EIAJ, A-weighted, $f_S = 96\text{ kHz}$	112/106/100		
		EIAJ, A-weighted, $f_S = 192\text{ kHz}$	112/106/100		
Signal-to-noise ratio <sup>(2)</sup>		EIAJ, A-weighted, $f_S = 48\text{ kHz}$	112/106/100		dB
		EIAJ, A-weighted, $f_S = 96\text{ kHz}$	112/106/100		
		EIAJ, A-weighted, $f_S = 192\text{ kHz}$	112/106/100		
Signal-to-noise ratio with analog mute <sup>(2)(3)</sup>		EIAJ, A-weighted, $f_S = 48\text{ kHz}$	113	123	dB
		EIAJ, A-weighted, $f_S = 96\text{ kHz}$	123		
		EIAJ, A-weighted, $f_S = 192\text{ kHz}$	123		
Channel separation		$f_S = 48\text{ kHz}$	100/95/90	109/103/97	dB
		$f_S = 96\text{ kHz}$	109/103/97		
		$f_S = 192\text{ kHz}$	109/103/97		
<b>Analog Output</b>					
Output voltage		2.1			$V_{RMS}$
Gain error		-6	$\pm 2$	6	% of FSR
Gain mismatch, channel-to-channel		-6	$\pm 2$	6	% of FSR
Bipolar-zero error	At bipolar zero	-5	$\pm 1$	5	mV
Load impedance		1			k $\Omega$
<b>Filter Characteristics-1: Normal</b>					

(1) Filter condition: THD+N: 20-Hz HPF, 20-kHz AES17 LPF; dynamic range: 20-Hz HPF, 20-kHz AES17 LPF; A-weighted signal-to-noise ratio: 20-Hz HPF, 20-kHz AES17 LPF; A-weighted channel separation: 20-Hz HPF, 20-kHz AES17 LPF; using the System Two Cascade™ audio measurement system by Audio Precision™ in the rms mode to measure analog performance specifications.

(2) Output load is 10 k $\Omega$ , with 470- $\Omega$  output resistor and a 2.2-nF shunt capacitor (see recommended output filter).

(3) Both L-ch and R-ch are BPZ with XSMT de-asserted

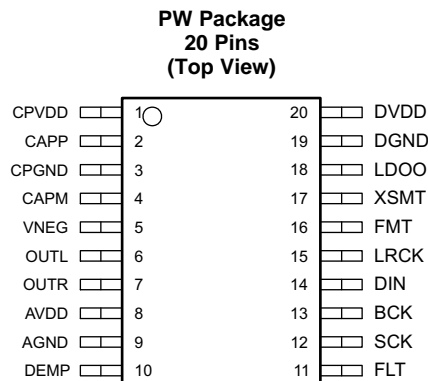
## ELECTRICAL CHARACTERISTICS (continued)

All specifications at  $T_A = 25^\circ\text{C}$ ,  $AV_{DD} = CPV_{DD} = DV_{DD} = 3.3\text{ V}$ ,  $f_S = 48\text{ kHz}$ , system clock =  $512 f_S$ , and 24-bit data unless otherwise noted.

PARAMETER	TEST CONDITIONS	MIN	TYP	MAX	UNIT
Pass band				0.45 $f_S$	
Stop band		0.55 $f_S$			
Stop-band attenuation		-60			dB
Pass-band ripple				$\pm 0.02$	
Delay time			22 / $f_S$		s
<b>Filter Characteristics–2: Low Latency</b>					
Pass band				0.47 $f_S$	
Stop band		0.55 $f_S$			
Stop-band attenuation		-52			dB
Pass-band ripple				$\pm 0.0001$	
Delay time			3.5 / $f_S$		s

## DEVICE INFORMATION

### TERMINAL FUNCTIONS, PCM510x-Q1



**Table 2. PIN FUNCTIONS, PCM510x-Q1**

PIN		I/O	DESCRIPTION
NAME	NO.		
AGND	9	—	Analog ground
AVDD	8	—	Analog power supply, 3.3 V
BCK	13	I	Audio-data bit-clock input <sup>(1)</sup>
CAPM	4	O	Charge-pump flying-capacitor terminal for negative rail
CAPP	2	O	Charge-pump flying-capacitor terminal for positive rail
CPGND	3	—	Charge-pump ground
CPVDD	1	—	Charge-pump power supply, 3.3 V
DEMP	10	I	De-emphasis control for 44.1-kHz sampling rate <sup>(1)</sup> : Off (Low), On (High)
DGND	19	—	Digital ground
DIN	14	I	Audio-data input <sup>(1)</sup>
DVDD	20	—	Digital power supply, 3.3 V
FLT	11	I	Filter select : Normal latency (Low) or Low latency (High)
FMT	16	I	Audio format selection : I <sup>2</sup> S (Low) or Left-justified (High)

(1) Failsafe LVCMOS Schmitt-trigger input

**Table 2. PIN FUNCTIONS, PCM510x-Q1 (continued)**

PIN		I/O	DESCRIPTION
NAME	NO.		
LDOO	18	—	Internal-logic supply-rail terminal for decoupling
LRCK	15	I	Audio-data word-clock input <sup>(1)</sup>
OUTL	6	O	Analog output from DAC left channel
OUTR	7	O	Analog output from DAC right channel
SCK	12	I	System clock input <sup>(1)</sup>
VNEG	5	O	Negative charge-pump rail terminal for decoupling, -3.3 V
XSMT	17	I	Soft-mute control <sup>(1)</sup> : Soft mute (Low), Soft un-mute (High)

**TYPICAL CHARACTERISTICS**

All specifications at  $T_A = 25^\circ\text{C}$ ,  $AV_{DD} = CPV_{DD} = DV_{DD} = 3.3\text{ V}$ ,  $f_s = 48\text{ kHz}$ , system clock =  $512 f_s$ , and 24-bit data unless otherwise noted.

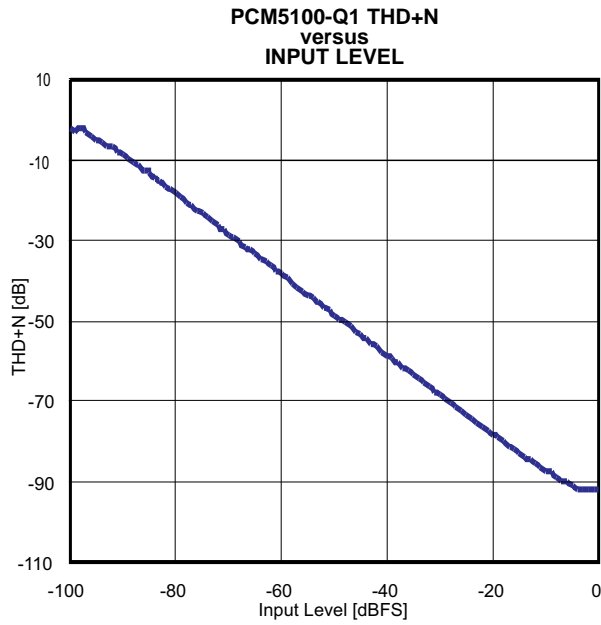


Figure 2.

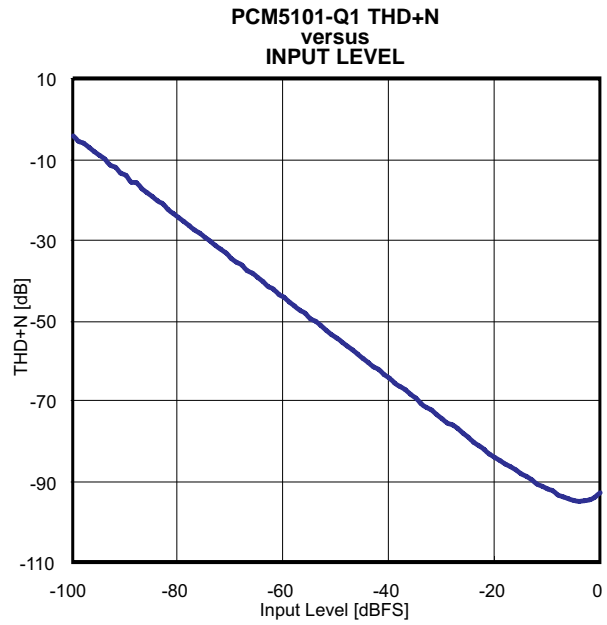


Figure 3.

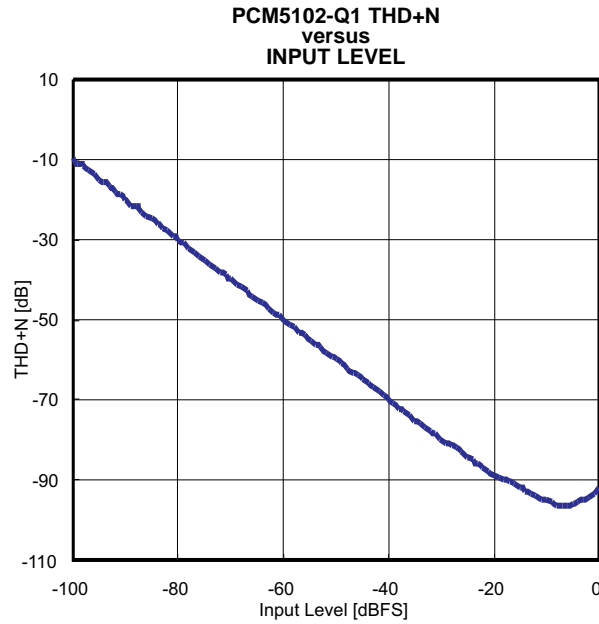
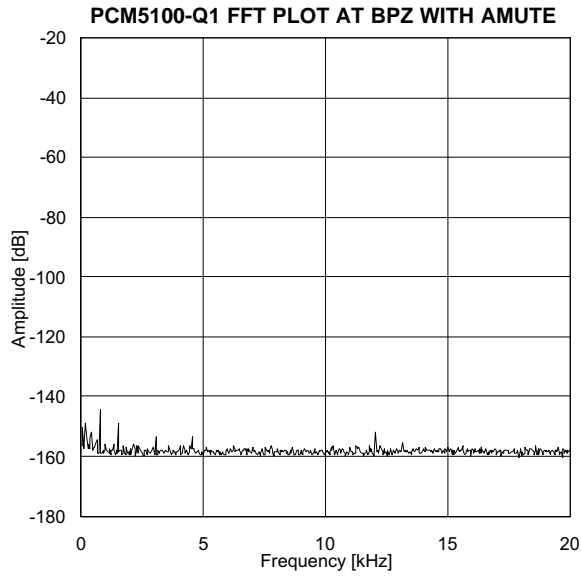


Figure 4.

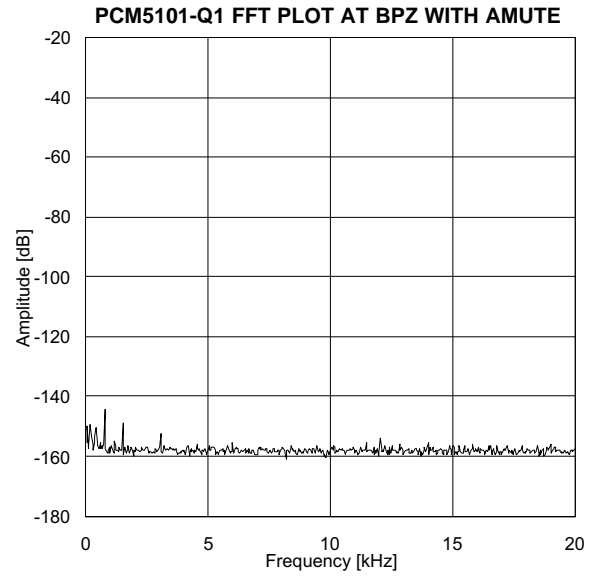


**TYPICAL CHARACTERISTICS (continued)**

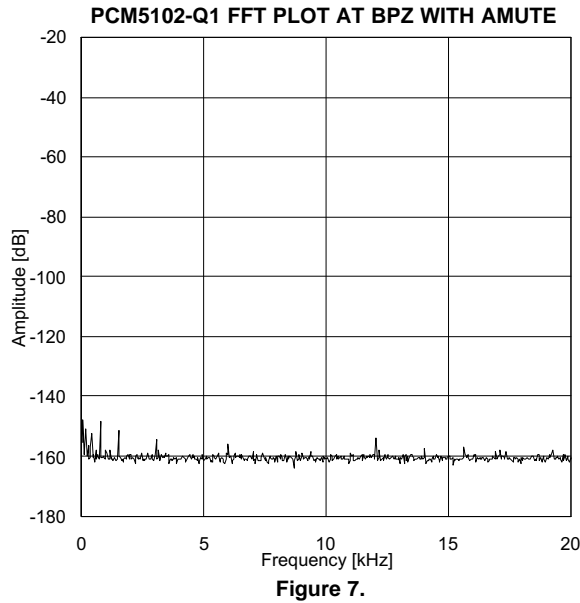
All specifications at  $T_A = 25^\circ\text{C}$ ,  $AV_{DD} = CPV_{DD} = DV_{DD} = 3.3\text{ V}$ ,  $f_S = 48\text{ kHz}$ , system clock =  $512 f_S$ , and 24-bit data unless otherwise noted.



**Figure 5.**



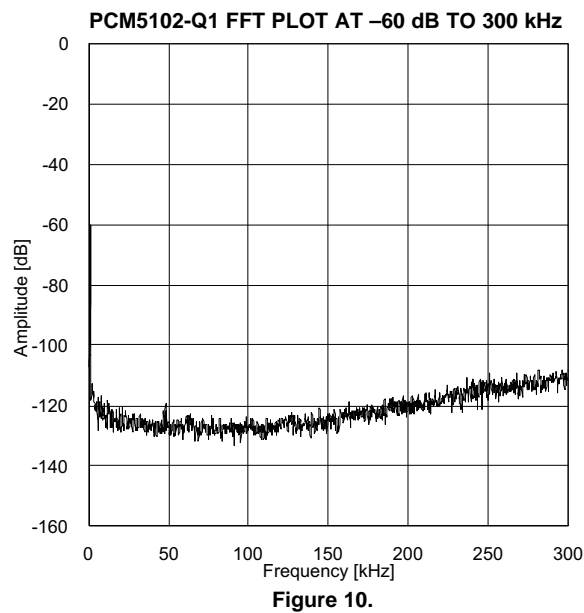
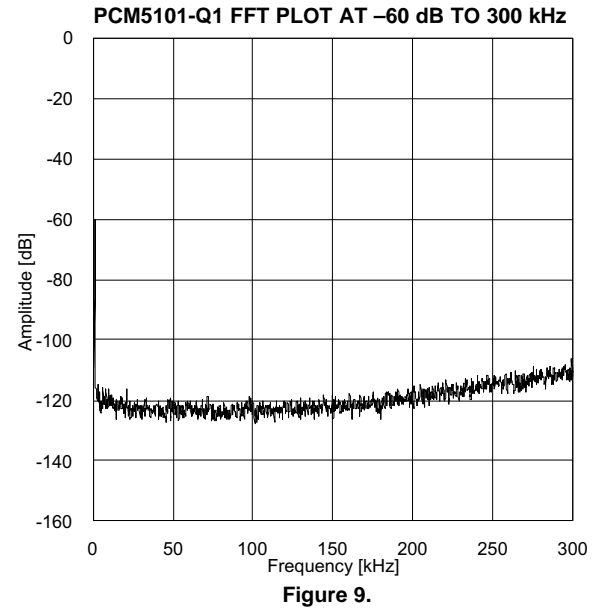
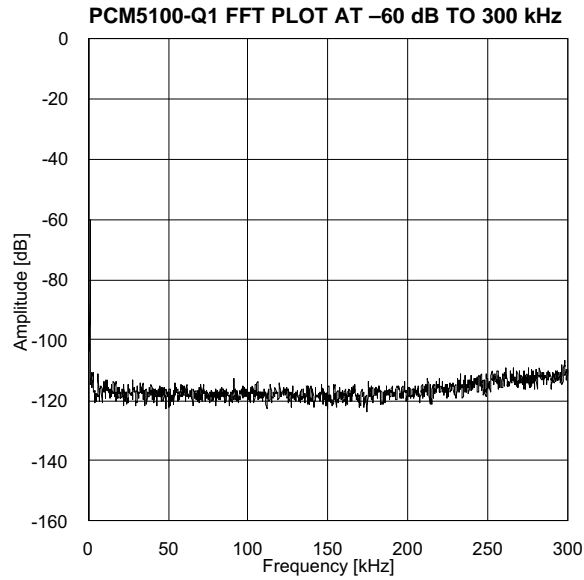
**Figure 6.**



**Figure 7.**

### TYPICAL CHARACTERISTICS (continued)

All specifications at  $T_A = 25^\circ\text{C}$ ,  $AV_{DD} = CPV_{DD} = DV_{DD} = 3.3\text{ V}$ ,  $f_S = 48\text{ kHz}$ , system clock =  $512 f_S$ , and 24-bit data unless otherwise noted.



## APPLICATION INFORMATION

### Reset and System Clock Functions

#### Power-On Reset Function

The PCM510x-Q1 includes a power-on-reset function shown in Figure 11. Having  $V_{DD} > 2.8$  V enables the power-on reset function. After the initialization period, the PCM510x-Q1 enters its default reset state.

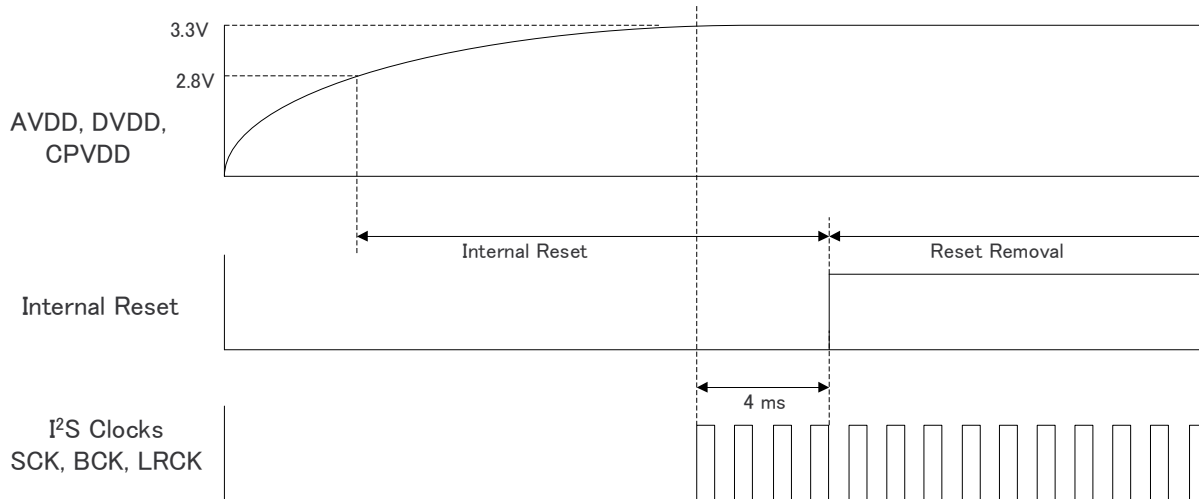


Figure 11. Power-On Reset Timing, DVDD = 3.3 V

## System-Clock Input

The PCM510x-Q1 requires a system clock for operating the digital interpolation filters and advanced segment DAC modulators. The system clock, applied at the SCK input (pin 12), supports up to 50 MHz. The PCM510x-Q1 has a system-clock detection circuit that automatically senses the system-clock frequency. The device supports common audio sampling frequencies of 8 kHz, 16 kHz, 32 kHz–44.1 kHz and 48 kHz, 88.2 kHz–96 kHz, 176.4 kHz–192 kHz, and 384 kHz with  $\pm 4\%$  tolerance. The sampling-frequency detector sets the clock for the digital filter, delta-sigma modulator (DSM), and the negative charge pump (NCP) automatically. Table 3 shows examples of system clock frequencies for common audio sampling rates.

### NOTE

The sampling frequency detector only detects six sampling-frequency options. Any sampling frequency between the range of 32 kHz–44.1 kHz (or if it is 48 kHz) is one option. The same case applies for the ranges from 88.2 kHz–96 kHz and 176.4 kHz–192 kHz.

The device supports SCK rates between 1 MHz and 50 MHz that are not common to standard audio clocks by configuring various PLL and clock-divider registers. This allows the device to become a clock master and drive the host serial port with LRCK and BCK, from a non-audio related clock (for example, using 12 MHz to generate 44.1 kHz (LRCK) and 2.8224 MHz (BCK)).

Figure 12 shows the timing requirements for the system clock input. For optimal performance, it is important to use a clock source with low phase jitter and noise.

Table 3. System Master Clock Inputs for Audio-Related Clocks

Sampling Frequency	System Clock Frequency ( $f_{SCK}$ ) (MHz)											
	64 $f_S$	128 $f_S$	192 $f_S$	256 $f_S$	384 $f_S$	512 $f_S$	768 $f_S$	1024 $f_S$	1152 $f_S$	1536 $f_S$	2048 $f_S$	3072 $f_S$
8 kHz	– <sup>(1)</sup>	1.0240 <sup>(2)</sup>	1.5360 <sup>(2)</sup>	2.0480	3.0720	4.0960	6.1440	8.1920	9.2160	12.2880	16.3840	24.5760
16 kHz	– <sup>(1)</sup>	2.0480 <sup>(2)</sup>	3.0720 <sup>(2)</sup>	4.0960	6.1440	8.1920	12.2880	16.3840	18.4320	24.5760	36.8640	49.1520
32 kHz	– <sup>(1)</sup>	4.0960 <sup>(2)</sup>	6.1440 <sup>(2)</sup>	8.1920	12.2880	16.3840	24.5760	32.7680	36.8640	49.1520	– <sup>(1)</sup>	– <sup>(1)</sup>
44.1 kHz	– <sup>(1)</sup>	5.6488 <sup>(2)</sup>	8.4672 <sup>(2)</sup>	11.2896	16.9344	22.5792	33.8688	45.1584	– <sup>(1)</sup>	– <sup>(1)</sup>	– <sup>(1)</sup>	– <sup>(1)</sup>
48 kHz	– <sup>(1)</sup>	6.1440 <sup>(2)</sup>	9.2160 <sup>(2)</sup>	12.2880	18.4320	24.5760	36.8640	49.1520	– <sup>(1)</sup>	– <sup>(1)</sup>	– <sup>(1)</sup>	– <sup>(1)</sup>
88.2 kHz	– <sup>(1)</sup>	11.2896 <sup>(2)</sup>	16.9344	22.5792	33.8688	45.1584	– <sup>(1)</sup>	– <sup>(1)</sup>	– <sup>(1)</sup>	– <sup>(1)</sup>	– <sup>(1)</sup>	– <sup>(1)</sup>
96 kHz	– <sup>(1)</sup>	12.2880 <sup>(2)</sup>	18.4320	24.5760	36.8640	49.1520	– <sup>(1)</sup>	– <sup>(1)</sup>	– <sup>(1)</sup>	– <sup>(1)</sup>	– <sup>(1)</sup>	– <sup>(1)</sup>
176.4 kHz	– <sup>(1)</sup>	22.5792	33.8688	45.1584	– <sup>(1)</sup>	– <sup>(1)</sup>	– <sup>(1)</sup>	– <sup>(1)</sup>	– <sup>(1)</sup>	– <sup>(1)</sup>	– <sup>(1)</sup>	– <sup>(1)</sup>
192 kHz	– <sup>(1)</sup>	24.5760	36.8640	49.1520	– <sup>(1)</sup>	– <sup>(1)</sup>	– <sup>(1)</sup>	– <sup>(1)</sup>	– <sup>(1)</sup>	– <sup>(1)</sup>	– <sup>(1)</sup>	– <sup>(1)</sup>
384 kHz	24.5760	49.1520	– <sup>(1)</sup>	– <sup>(1)</sup>	– <sup>(1)</sup>	– <sup>(1)</sup>	– <sup>(1)</sup>	– <sup>(1)</sup>	– <sup>(1)</sup>	– <sup>(1)</sup>	– <sup>(1)</sup>	– <sup>(1)</sup>

- (1) The device does not support this system clock rate for the given sampling frequency.  
 (2) PLL mode supports this system clock rate.

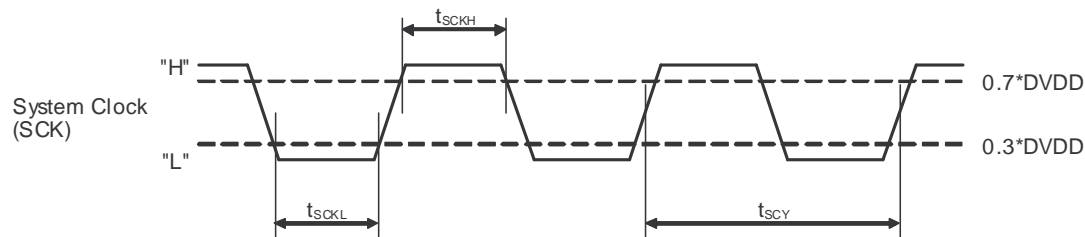


Figure 12. Timing Requirements for SCK Input

Table 4. Timing Requirements for SCK Input

	Parameters	Min	Max	Unit
$t_{SCY}$	System clock-pulse cycle time	20	1000	ns
$t_{SCKH}$	System clock-pulse duration, High	9		ns
$t_{SCKL}$	System clock-pulse duration, Low	9		ns

## System Clock PLL Mode

The system clock PLL mode allows designers to use a simple three-wire I<sup>2</sup>S audio source when driving the DAC, thereby reducing the need for a high-frequency SCK, making PCB layout easier, and reducing high-frequency electromagnetic interference.

The device starts up expecting an external SCK input, but if BCK and LRCK start correctly while SCK remains at ground level for 16 successive LRCK periods, then the internal PLL starts, automatically generating an internal SCK from the BCK reference. In the PCM510x-Q1, supplying an external SCK disables the internal PLL; the device requires specific BCK rates to generate an appropriate master clock. [Table 5](#) describes the minimum and maximum BCK per LRCK for the integrated PLL to generate an internal SCK automatically.

**Table 5. BCK Rates (MHz) by LRCK Sample Rate for PCM510x-Q1 PLL Operation**

Sample f (kHz)	BCK (f <sub>s</sub> )	
	32	64
8	–	–
16	–	1.024
32	1.024	2.048
44.1	1.4112	2.8224
48	1.536	3.072
96	3.072	6.144
192	6.144	12.288
384	12.288	24.576

## Audio Data Interface

### Audio Serial Interface

The audio interface port is a three-wire serial port. It includes LRCK (pin 15), BCK (pin 13), and DIN (pin 14). BCK is the serial audio bit clock, and it clocks the serial data present on DIN into the serial shift register of the audio interface. Clocking of serial data into the PCM510x-Q1 occurs on the rising edge of BCK. LRCK is the serial audio left/right word clock.

**Table 6. PCM510x-Q1 Audio Data Formats, Bit Depths and Clock Rates**

CONTROL MODE	FORMAT	DATA BITS	MAX LRCK FREQUENCY [f <sub>s</sub> ]	SCK RATE [× f <sub>s</sub> ]	BCK RATE [× f <sub>s</sub> ]
Hardware control	I <sup>2</sup> S or LJ	32, 24, 20, 16	Up to 192 kHz	128–3072 (≤50 MHz)	64, 48, 32
			384 kHz	64, 128	64, 48, 32

The PCM510x-Q1 requires the synchronization of LRCK and system clock, but does not need a specific phase relation between LRCK and system clock.

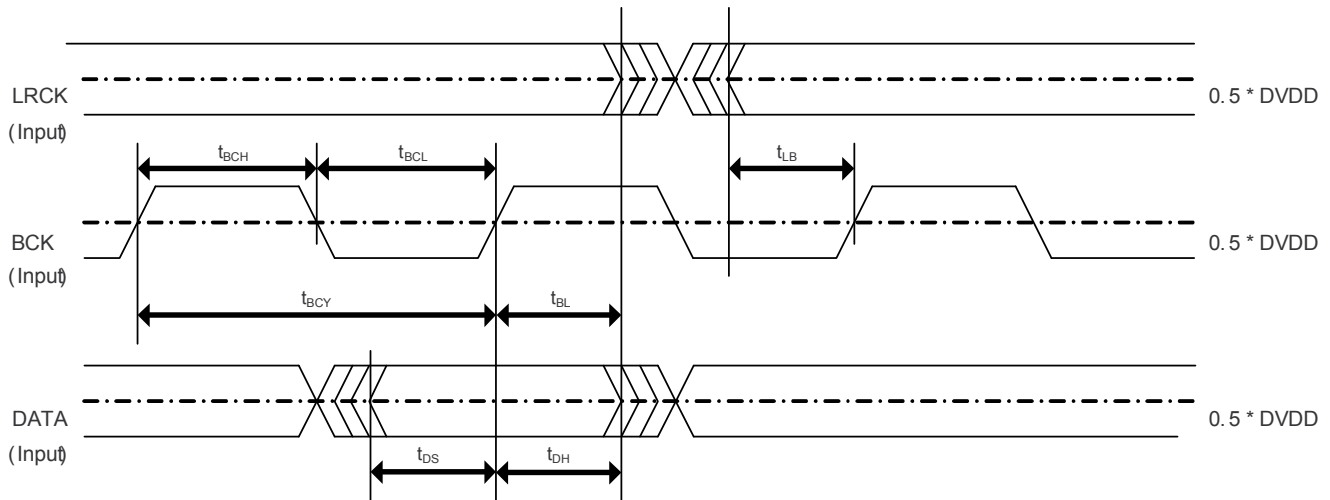
If the relationship between LRCK and system clock changes more than ±5 SCK, the device initializes internal operation within one sample period and forces analog outputs to the bipolar-zero level until the completion of resynchronization between LRCK and the system clock.

If the relationship between LRCK and BCK is invalid for more than 4 LRCK periods, the device initializes internal operation within one sample period and forces analog outputs to the bipolar-zero level until the completion of resynchronization between LRCK and BCK.

### PCM Audio Data Formats and Timing

The PCM510x-Q1 supports industry-standard audio data formats, including standard I<sup>2</sup>S and left-justified. Data formats are selected using the FMT (pin 16), Low for I<sup>2</sup>S, and High for left-justified.

All formats require binary 2s-complement, MSB-first audio data. [Figure 13](#) shows a detailed timing diagram for the serial audio interface.



**Figure 13. PCM510x-Q1 Serial Audio Timing - Slave**

**Table 7. Audio Interface Slave Timing**

	Parameters	Min	Max	Unit
$t_{BCY}$	BCK pulse cycle time	40		ns
$t_{BCL}$	BCK pulse duration, LOW	16		ns
$t_{BCH}$	BCK pulse duration, HIGH	16		ns
$t_{BL}$	BCK rising edge to LRCK edge	8		ns
$t_{LB}$	LRCK edge to BCK rising edge	8		ns
$t_{DS}$	DATA setup time	8		ns
$t_{DH}$	DATA hold time	8		ns
$f_{BCK}$	BCK frequency at DVDD = 3.3 V		24.576	MHz

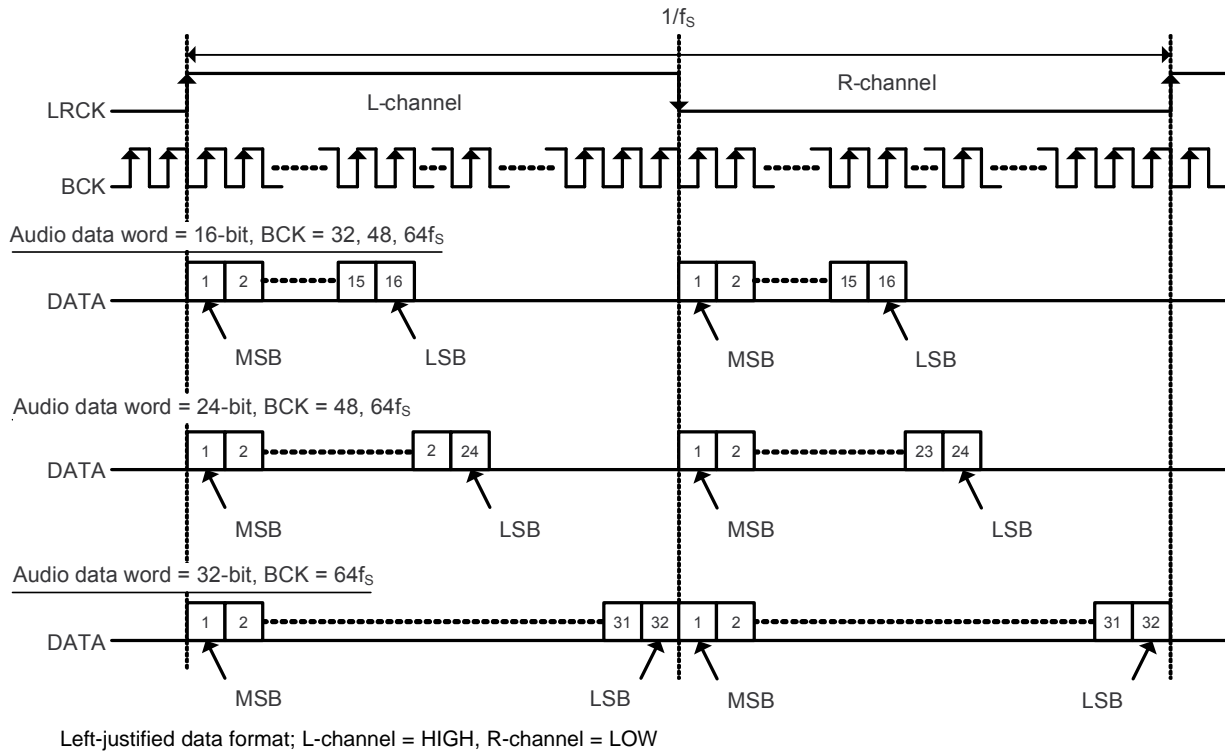


Figure 14. Left-Justified Audio Data Format

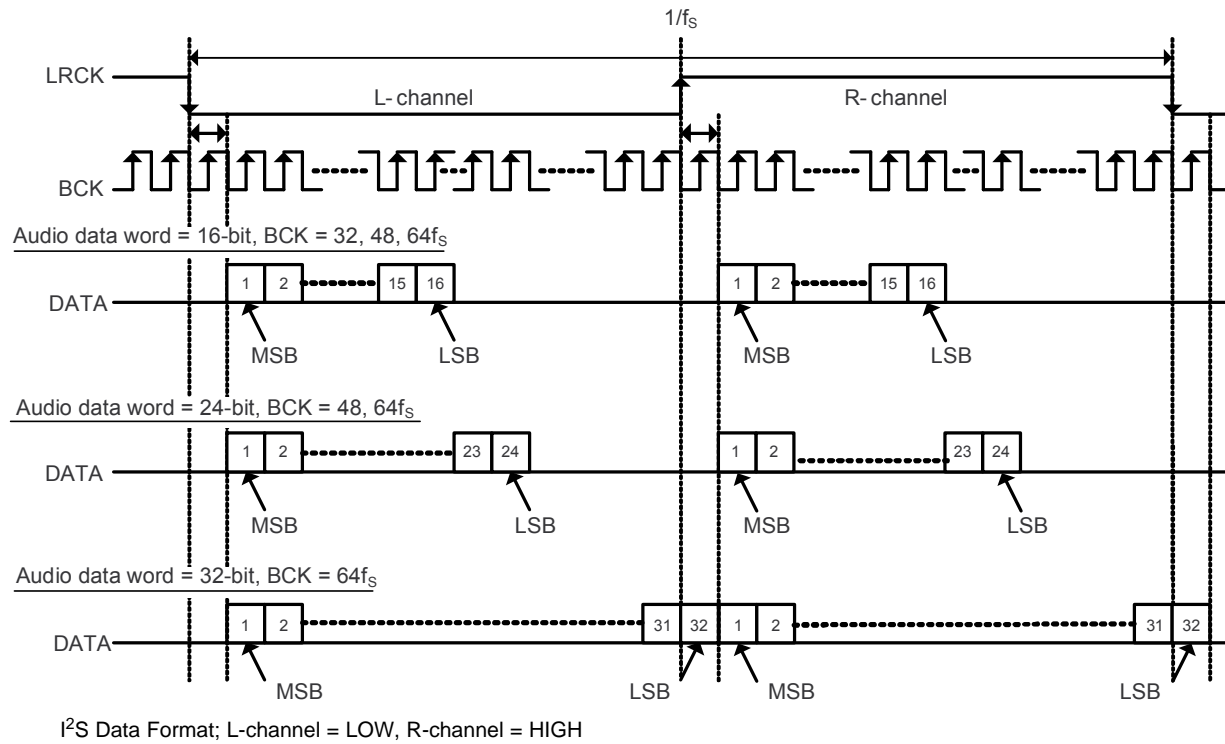


Figure 15. I<sup>2</sup>S Audio Data Format

## Function Descriptions

### Interpolation Filter

The PCM510x-Q1 provides two types of interpolation filter. Users can select which filter to use by using the FLT pin (pin11).

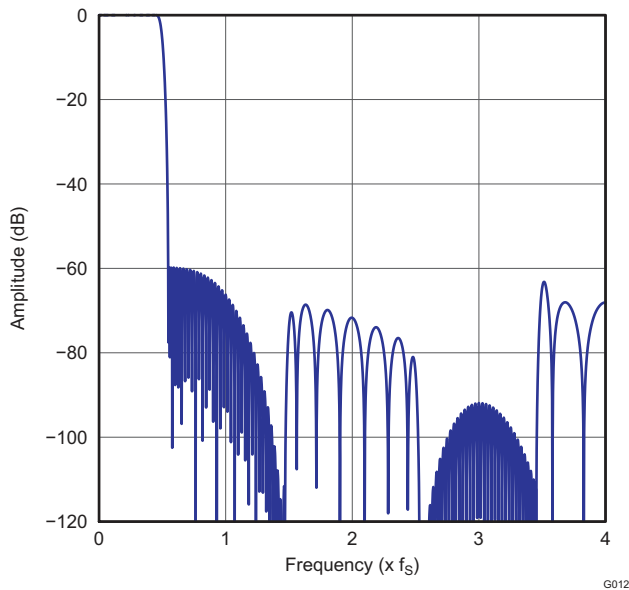
**Table 8. Digital Interpolation Filter Options**

FLT Pin	Description
0	FIR normal x8, x4, x2, and x1 interpolation filters
1	IIR low-latency x8, x4, x2, and x1 interpolation filters

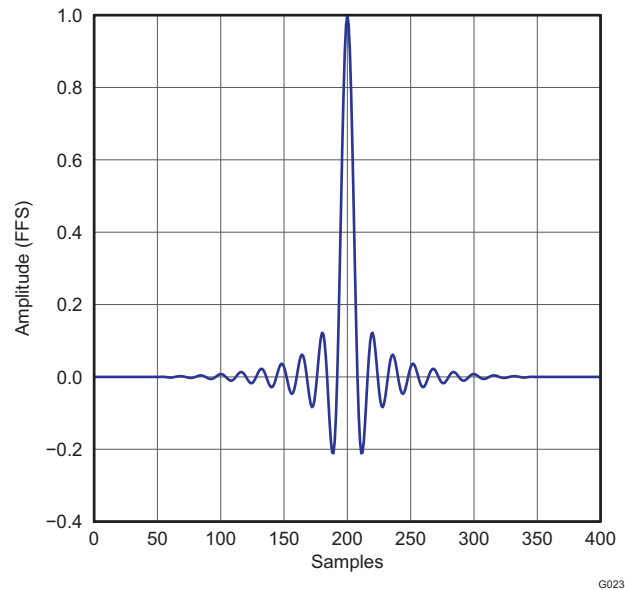
The normal x8, x4, x2, or x1 (bypass) interpolation filter is programmed in 256 cycles in 1 sampling frequency ( $f_s$ ) for from 8 kHz to 384 kHz.

**Table 9. Normal x8 Interpolation Filter**

Parameter	Condition	Value (Typ)	Value (Max)	Unit
Filter-gain pass band	$0-0.45 f_s$		$\pm 0.02$	dB
Filter-gain stop band	$0.55 f_s-7.455 f_s$	-60		dB
Filter-group delay		$22 / f_s$		s



**Figure 16. Normal x8 Interpolation-Filter Frequency Response**



**Figure 17. Normal x8 Interpolation-Filter Impulse Response**



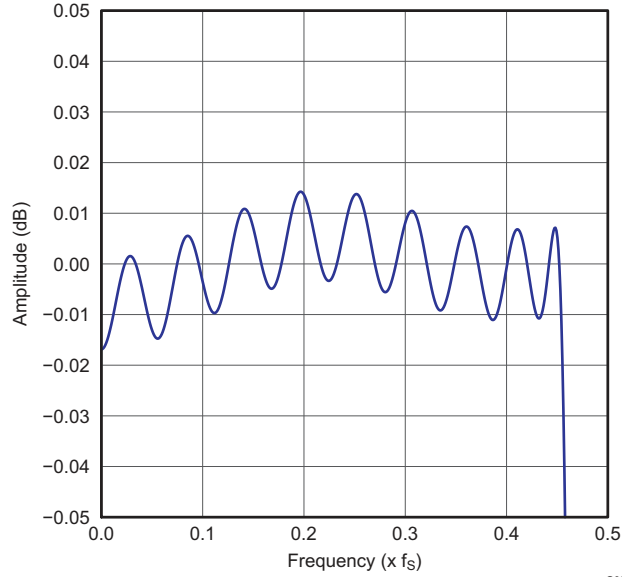
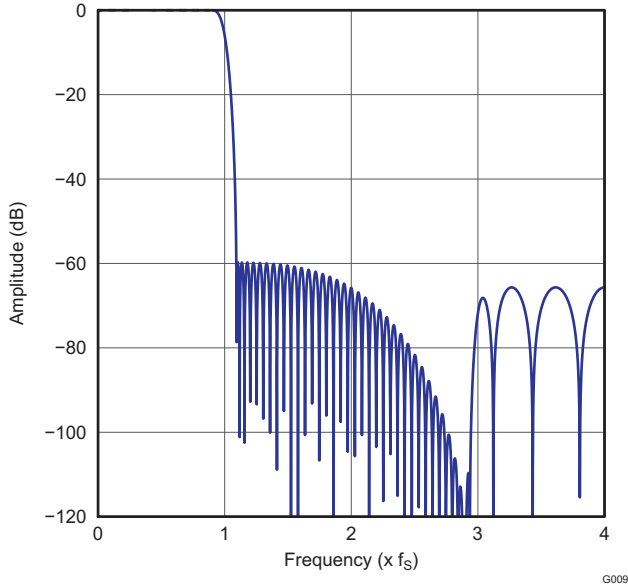


Figure 18. Normal x8 Interpolation-Filter Pass-Band Ripple

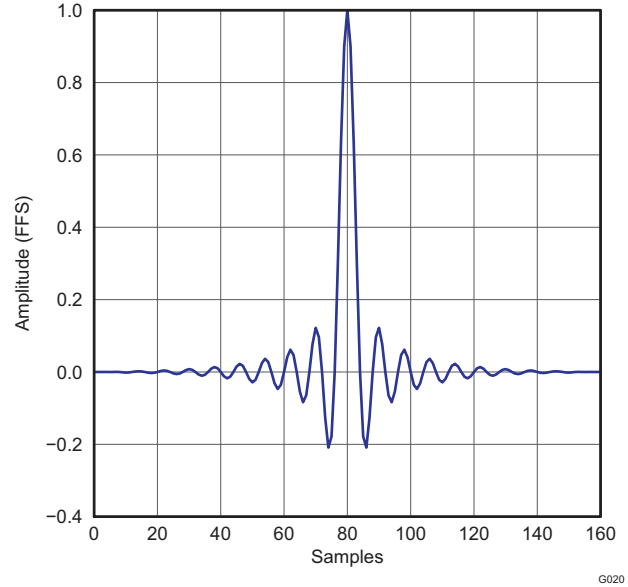
The normal  $\times 4$ ,  $\times 2$ , or  $\times 1$  (bypass) interpolation filter is programmed in 256 cycles in 1 sampling frequency ( $f_S$ ) from 8 kHz to 384 kHz.

**Table 10. Normal  $\times 4$  Interpolation Filter**

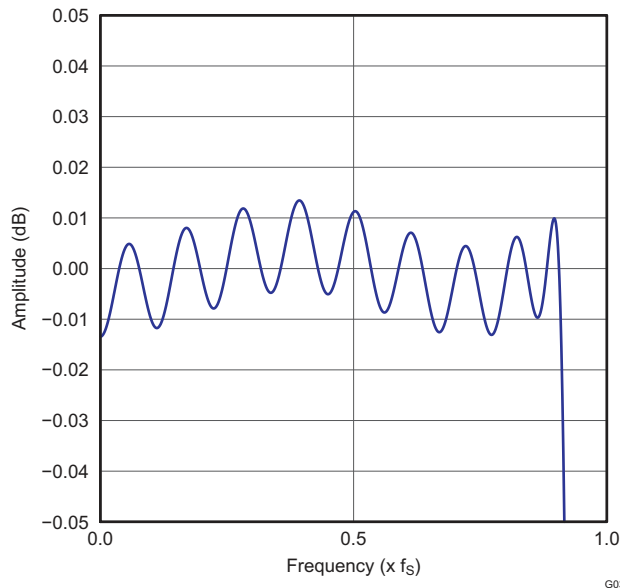
Parameter	Condition	Value (Typ)	Value (Max)	Unit
Filter-gain pass band	$0-0.45 f_S$		$\pm 0.02$	dB
Filter-gain stop band	$0.55 f_S-7.455 f_S$	-60		dB
Filter-group delay		$22 / f_S$		s



**Figure 19. Normal  $\times 4$  Interpolation-Filter Frequency Response**



**Figure 20. Normal  $\times 4$  Interpolation-Filter Impulse Response**

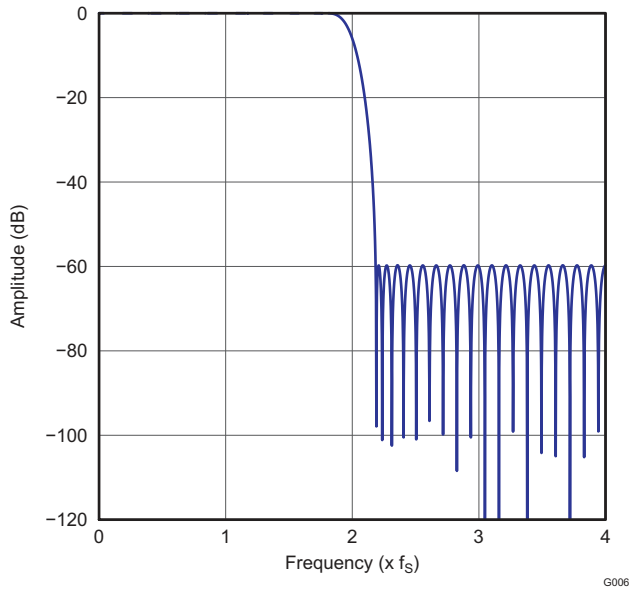


**Figure 21. Normal  $\times 4$  Interpolation-Filter Pass-Band Ripple**

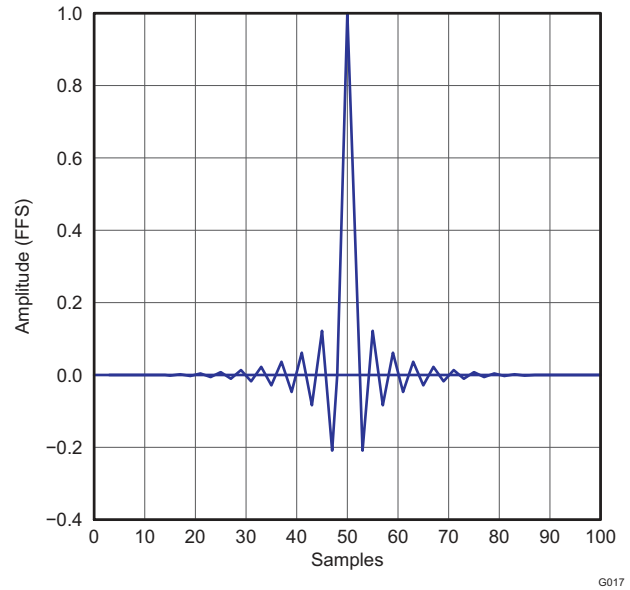
Normal  $\times 2$  or  $\times 1$  (bypass) interpolation filter is programmed in 256 cycles in 1 sampling frequency ( $f_s$ ) from 8 kHz to 384 kHz.

**Table 11. Normal  $\times 2$  Interpolation Filter**

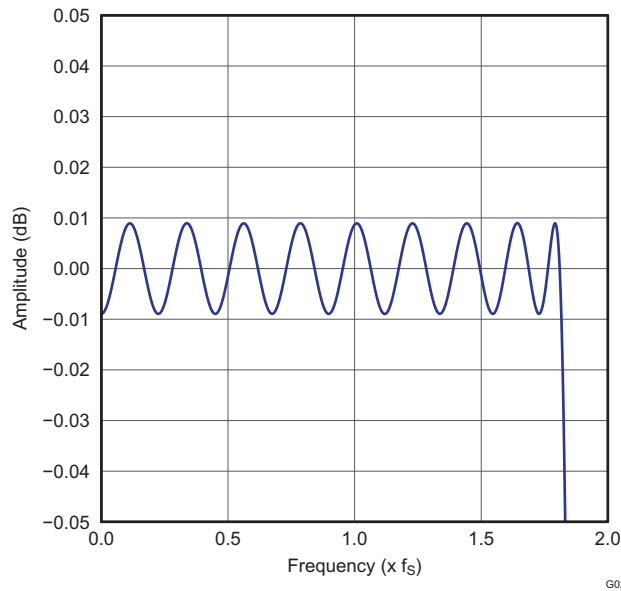
Parameter	Condition	Value (Typ)	Value (Max)	Unit
Filter-gain pass band	$0-0.45 f_s$		$\pm 0.02$	dB
Filter-gain stop band	$0.55 f_s-7.455 f_s$	-60		dB
Filter-group delay		$22 / f_s$		s



**Figure 22. Normal  $\times 2$  Interpolation-Filter Frequency Response**



**Figure 23. Normal  $\times 2$  Interpolation-Filter Impulse Response**

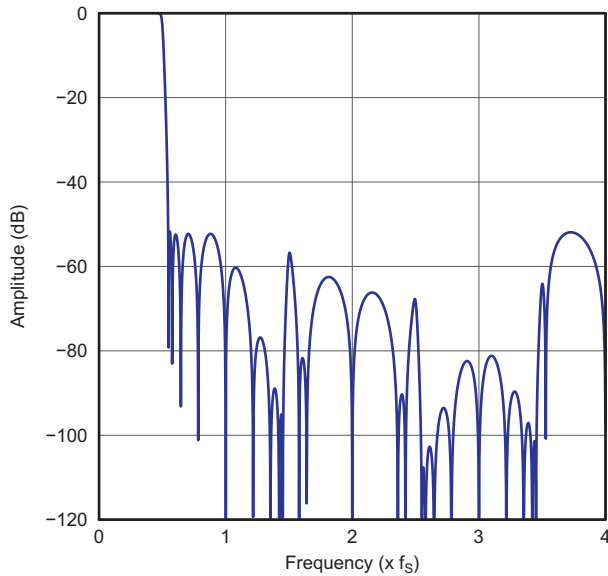


**Figure 24. Normal  $\times 2$  Interpolation-Filter Pass-Band Ripple**

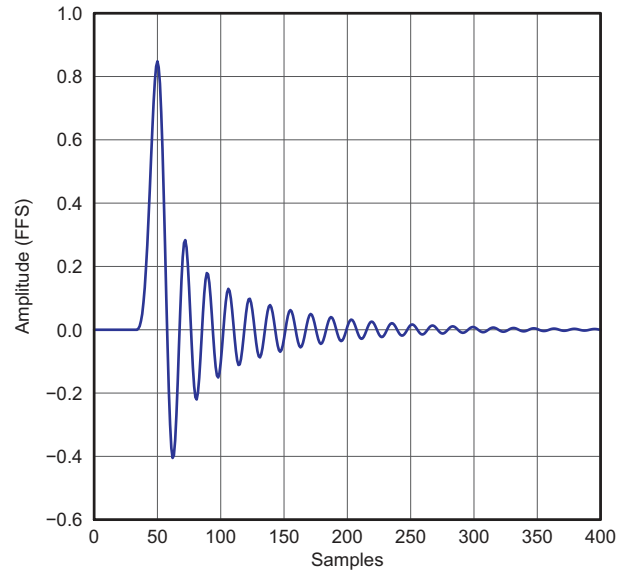
The low-latency  $\times 8$ ,  $\times 4$ ,  $\times 2$ , or  $\times 1$  (bypass) interpolation filter is programmed in 256 cycles in  $1 f_s$  from 8 kHz to 384 kHz.

**Table 12. Low-Latency  $\times 8$  Interpolation Filter**

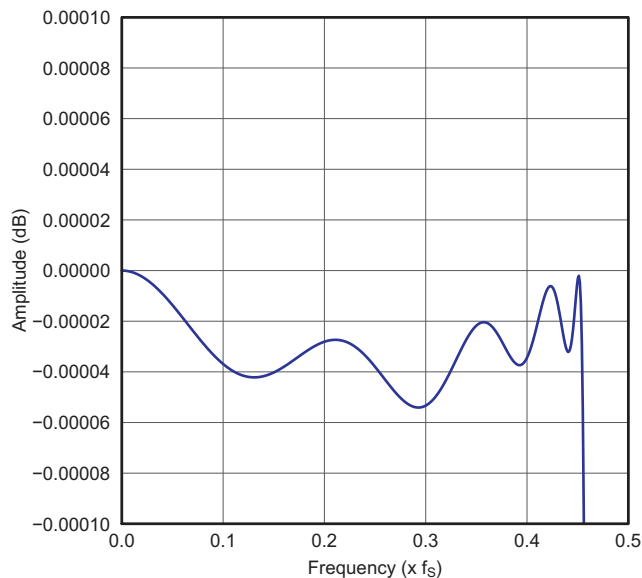
Parameter	Condition	Value (Typ)	Unit
Filter-gain pass band	$0-0.45 f_s$	$\pm 0.0001$	dB
Filter-gain stop band	$0.55 f_s-7.455 f_s$	-52	dB
Filter-group delay		$3.5 / f_s$	s



**Figure 25.  $\times 8$  Interpolation-Filter Frequency Response**



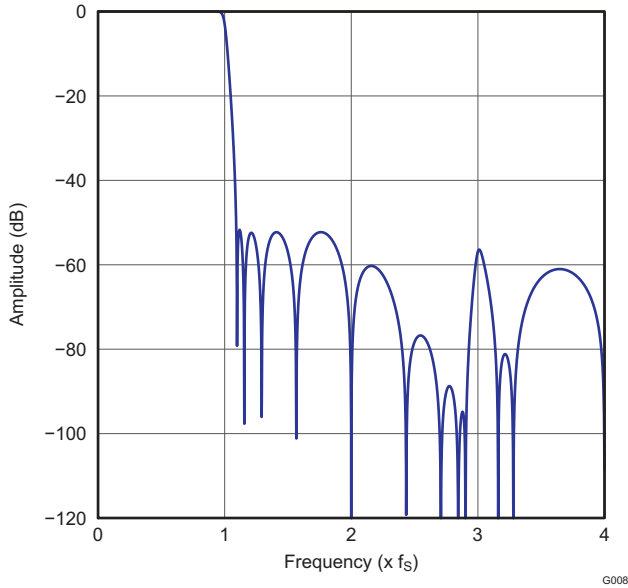
**Figure 26. Low-Latency  $\times 8$  Interpolation-Filter Impulse Response**



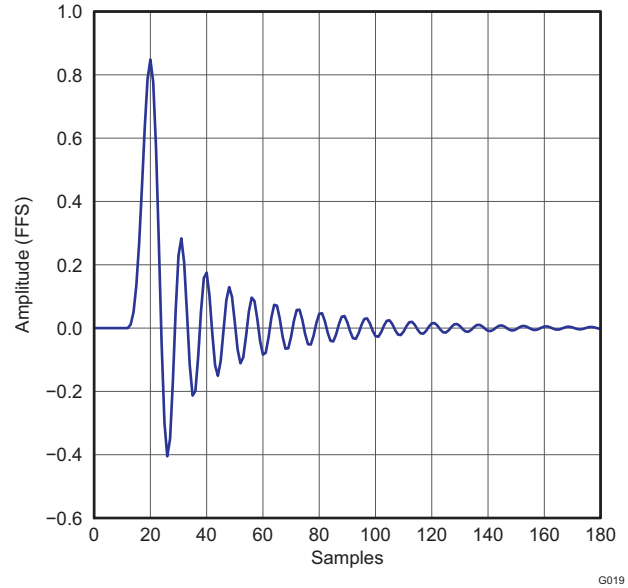
**Figure 27. Low-Latency  $\times 8$  Interpolation-Filter Pass-Band Ripple**

**Table 13. Low-Latency x4 Interpolation Filter**

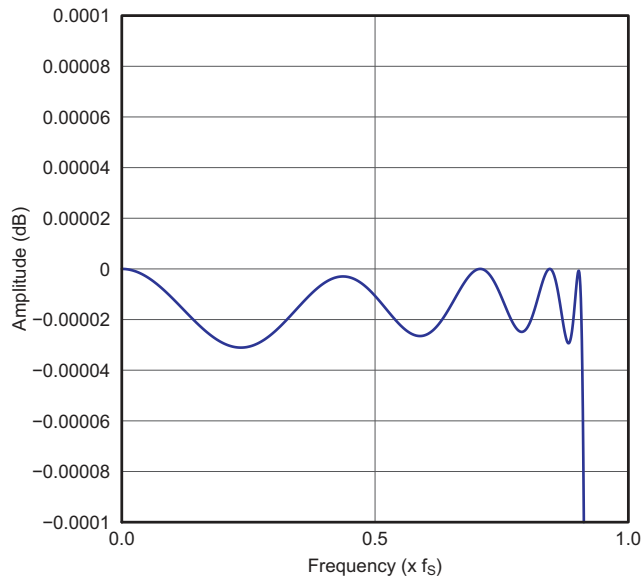
Parameter	Condition	Value (Typ)	Unit
Filter-gain pass band	0–0.45 $f_s$	$\pm 0.0001$	dB
Filter-gain stop band	0.55 $f_s$ –3.455 $f_s$	-52	dB
Filter-group delay		3.5 / $f_s$	s



**Figure 28. Low-Latency x4 Interpolation-Filter Frequency Response**



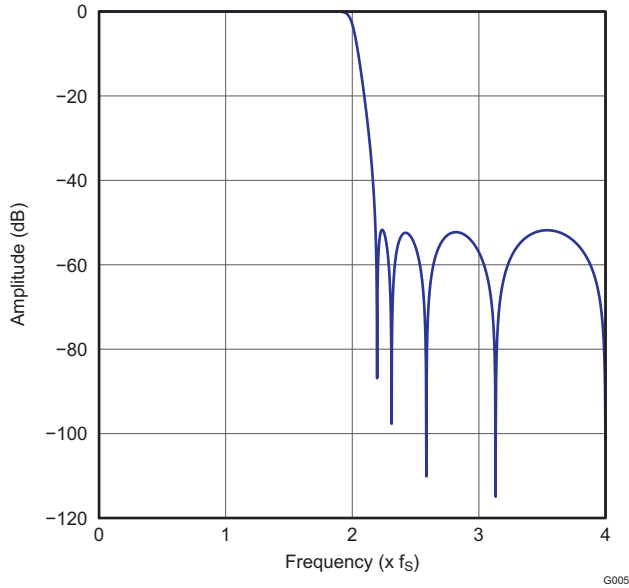
**Figure 29. Low-Latency x4 Interpolation-Filter Impulse Response**



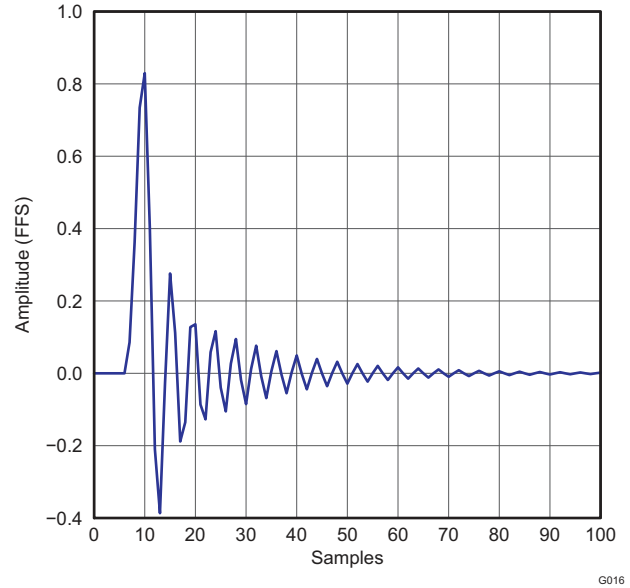
**Figure 30. Low latency x4 Interpolation-Filter Pass-Band Ripple**

**Table 14. Low-Latency ×2 Interpolation Filter**

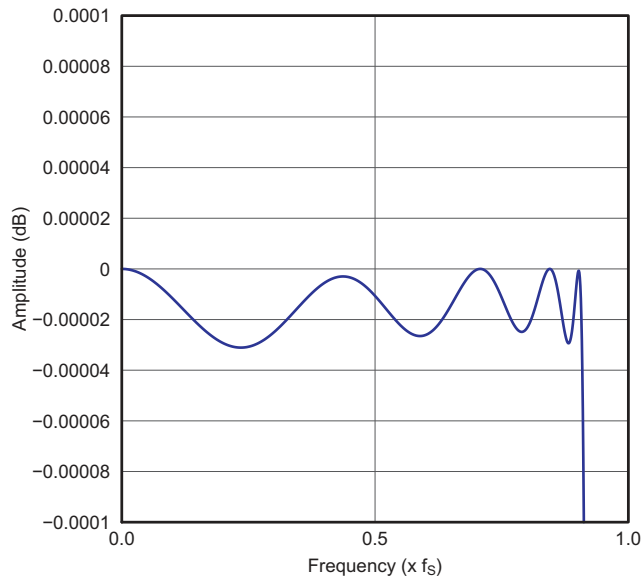
Parameter	Condition	Value (Typ)	Unit
Filter-gain pass band	0–0.45 $f_s$	$\pm 0.0001$	dB
Filter-gain stop band	0.55 $f_s$ –1.455 $f_s$	–52	dB
Filter-group delay		$3.5 / f_s$	s



**Figure 31. Low-Latency ×2 Interpolation-Filter Frequency Response**



**Figure 32. Low-Latency ×2 Interpolation-Filter Impulse Response**



**Figure 33. Low-Latency ×2 Interpolation-Filter Pass-Band Ripple**

## Zero-Data Detect

The PCM510x-Q1 has a zero-data detect function. When the device detects continuous zero data, it enters a full analog-mute condition.

The PCM510x-Q1 counts zero data over 1024 LRCKs (21 ms at 48 kHz) before setting analog mute.

## Power-Save Mode

On detection of any kind of clock error (SCK, BCK, and LRCK) or clock halt, the PCM510x-Q1 enters standby mode automatically and powers down the current-segment DAC and line driver.

When BCK and LRCK halt to a low level for more than 1 second, the PCM510x-Q1 enters the power-down mode automatically. Power-down mode includes the negative charge pump and reference circuit power-down in addition to standby.

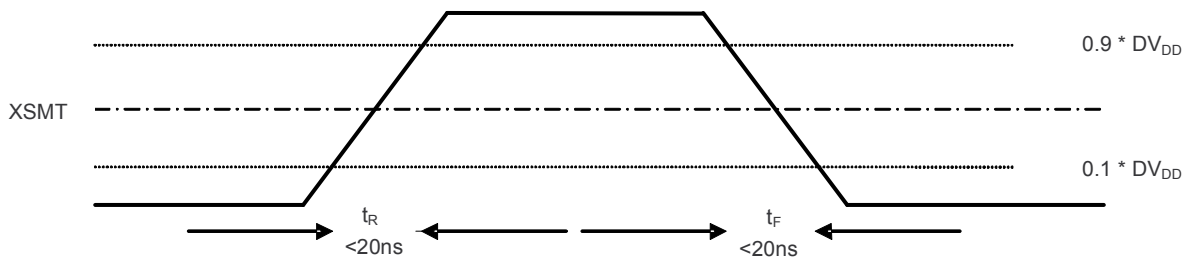
On application of expected audio clocks (SCK, BCK, LRCK) to the PCM510x-Q1, the device starts its power-up sequence automatically.

## XSMT Pin (Soft Mute and Soft Un-Mute)

For external digital control of the PCM510x-Q1, an external digital host must drive the XSMT pin with a specific minimum rise time ( $t_r$ ) and fall time ( $t_f$ ) for soft mute and soft un-mute. The PCM510x-Q1 requires  $t_r$  and  $t_f$  times of less than 20 ns. In the majority of applications, this should not be a problem; however, traces with high capacitance may have issues.

When shifting the XSMT pin from high to low (3.3 V to 0 V), a soft digital attenuation ramp starts. Gain steps of  $-1$  dB occur every  $1 / f_s$  from 0 dBFS to  $-\infty$ . This takes 104 sample periods.

Shifting the XSMT pin from low to high (0 V to 3.3V) starts a soft digital un-mute. Gain steps of 1 dB occur every  $1 / f_s$  from  $-\infty$  to 0 dBFS. This takes 104 sample periods.



**Figure 34. XSMT Timing for Soft Mute and Soft Un-Mute**

**Table 15. XSMT Timing Parameters**

Parameters	Min	Max	Unit
Rise time ( $t_r$ )		20	ns
Fall time ( $t_f$ )		20	ns

## External Power Sense Undervoltage Protection mode

The XSMT pin can alternatively monitor a system voltage, such as the 24-VDC LCD TV backlight, or 12-VDC system supply, using a potential divider created with two resistors. (See Figure 35.)

- If the XSMT pin makes a transition from 1 to 0 over 6 ms or more, the device switches into external undervoltage-protection mode. This mode uses two trigger levels.
- When the XSMT pin level reaches 2 V, the soft-mute process begins.
- When the XSMT pin level reaches 1.2 V, analog mute engages, regardless of digital audio level, and analog shutdown begins (for example, DAC circuitry powers down, and so forth).

Figure 36 is a timing diagram that shows this.

### NOTE

The XSMT input-pin voltage range is from  $-0.3\text{ V}$  to  $\text{DVDD} + 0.3\text{ V}$ . Consider the ratio of external resistors within this input range. Any increase in power supply (such as power-supply positive noise or ripple) can pull the XSMT pin higher than  $\text{DVDD} + 0.3\text{ V}$ .

For example, if the PCM510x-Q1 monitors a 12-V input that a voltage divider has divided by 4, then the voltage at XSMT during ideal power supply conditions is 3 V. If the voltage spikes any higher than 14.4 V, then the voltage on XSMT exceeds 3.6 V ( $\text{DVDD} + 0.3$ ), potentially damaging the device.

Appropriate setting of the divider allows monitoring of any dc voltage.

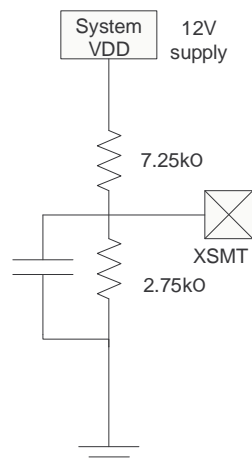


Figure 35. XSMT in External UVP Mode

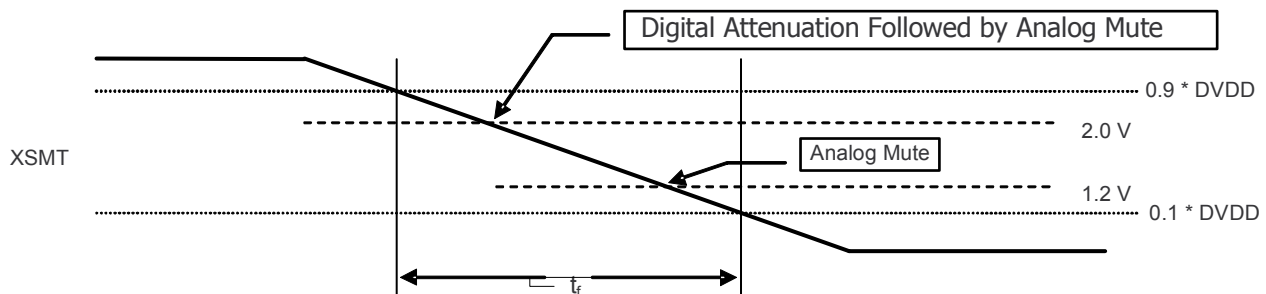


Figure 36. XSMT Timing for Undervoltage Protection



Typical Application Circuits

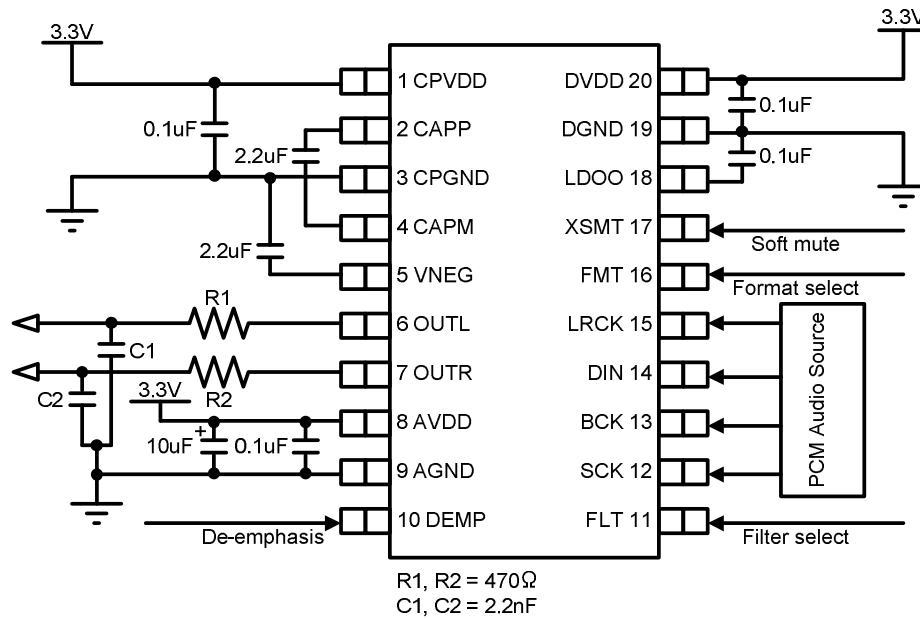


Figure 37. PCM510x-Q1 Standard PCM Audio Operation, 3.3 V

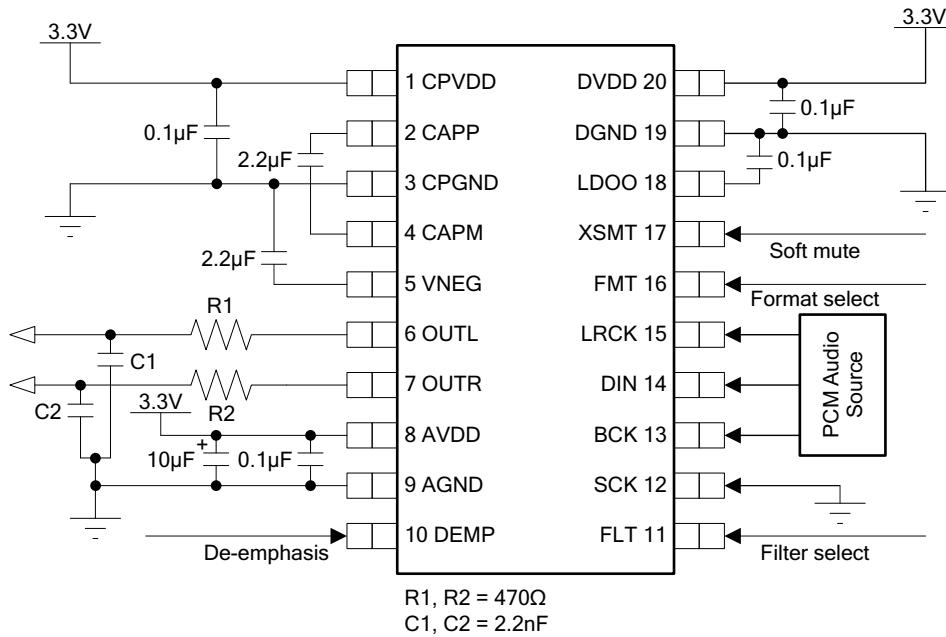
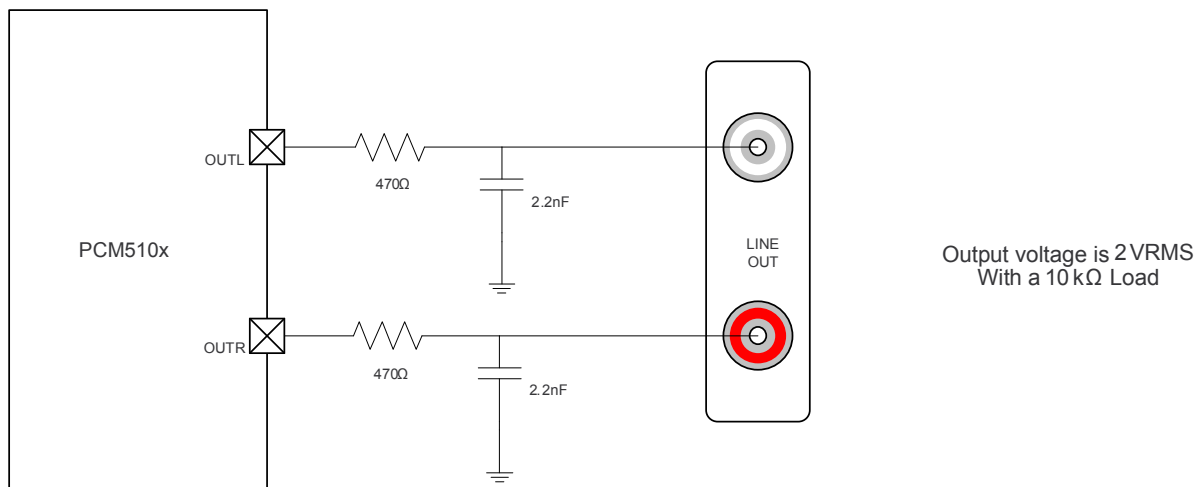


Figure 38. PCM510x-Q1 PLL Operation

## Recommended Output Filter for the PCM510x-Q1

The diagram in [Figure 39](#) shows the recommended output filter for the PCM510x-Q1. The new PCM510x-Q1 next-generation current-segment architecture offers excellent out-of-band noise, making a traditional 20-kHz low-pass filter a thing of the past.

The RC settings below offer a  $-3$ -dB filter point at 153 kHz (approximately), giving the DAC the ability to reproduce virtually all frequencies through to its maximum sampling rate of 384 kHz.



**Figure 39. Recommended Low-Pass Output Filter for 10-kΩ Operation**

**PACKAGING INFORMATION**

Orderable Device	Status (1)	Package Type	Package Drawing	Pins	Package Qty	Eco Plan (2)	Lead finish/ Ball material (6)	MSL Peak Temp (3)	Op Temp (°C)	Device Marking (4/5)	Samples
PCM5102TPWRQ1	NRND	TSSOP	PW	20	2000	RoHS & Green	NIPDAU	Level-1-260C-UNLIM	-40 to 105	PCM5102Q	

(1) The marketing status values are defined as follows:

**ACTIVE:** Product device recommended for new designs.

**LIFEBUY:** TI has announced that the device will be discontinued, and a lifetime-buy period is in effect.

**NRND:** Not recommended for new designs. Device is in production to support existing customers, but TI does not recommend using this part in a new design.

**PREVIEW:** Device has been announced but is not in production. Samples may or may not be available.

**OBSELETE:** TI has discontinued the production of the device.

(2) **RoHS:** TI defines "RoHS" to mean semiconductor products that are compliant with the current EU RoHS requirements for all 10 RoHS substances, including the requirement that RoHS substance do not exceed 0.1% by weight in homogeneous materials. Where designed to be soldered at high temperatures, "RoHS" products are suitable for use in specified lead-free processes. TI may reference these types of products as "Pb-Free".

**RoHS Exempt:** TI defines "RoHS Exempt" to mean products that contain lead but are compliant with EU RoHS pursuant to a specific EU RoHS exemption.

**Green:** TI defines "Green" to mean the content of Chlorine (Cl) and Bromine (Br) based flame retardants meet JS709B low halogen requirements of <=1000ppm threshold. Antimony trioxide based flame retardants must also meet the <=1000ppm threshold requirement.

(3) MSL, Peak Temp. - The Moisture Sensitivity Level rating according to the JEDEC industry standard classifications, and peak solder temperature.

(4) There may be additional marking, which relates to the logo, the lot trace code information, or the environmental category on the device.

(5) Multiple Device Markings will be inside parentheses. Only one Device Marking contained in parentheses and separated by a "-" will appear on a device. If a line is indented then it is a continuation of the previous line and the two combined represent the entire Device Marking for that device.

(6) Lead finish/Ball material - Orderable Devices may have multiple material finish options. Finish options are separated by a vertical ruled line. Lead finish/Ball material values may wrap to two lines if the finish value exceeds the maximum column width.

**Important Information and Disclaimer:**The information provided on this page represents TI's knowledge and belief as of the date that it is provided. TI bases its knowledge and belief on information provided by third parties, and makes no representation or warranty as to the accuracy of such information. Efforts are underway to better integrate information from third parties. TI has taken and continues to take reasonable steps to provide representative and accurate information but may not have conducted destructive testing or chemical analysis on incoming materials and chemicals. TI and TI suppliers consider certain information to be proprietary, and thus CAS numbers and other limited information may not be available for release.

In no event shall TI's liability arising out of such information exceed the total purchase price of the TI part(s) at issue in this document sold by TI to Customer on an annual basis.

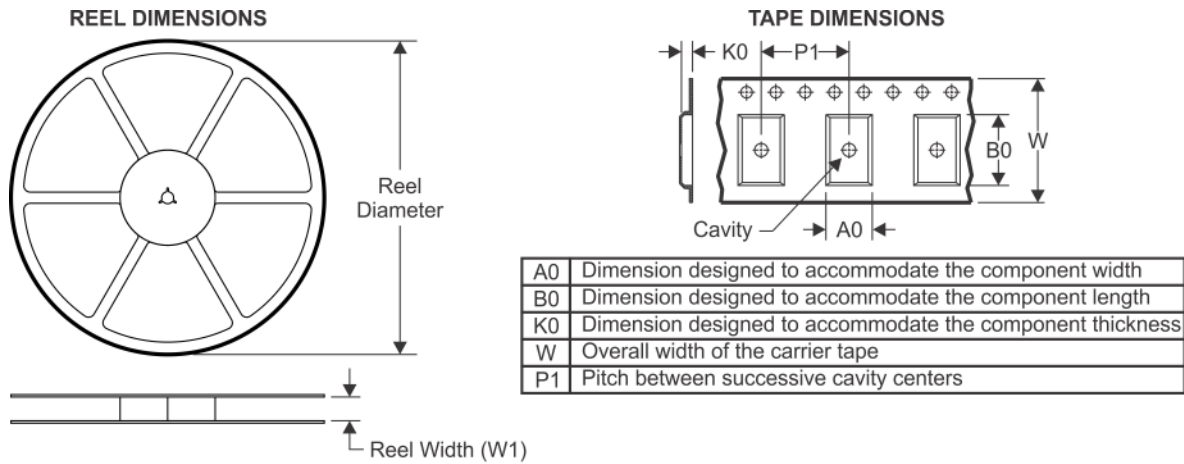
**OTHER QUALIFIED VERSIONS OF PCM5102-Q1 :**

- Catalog: [PCM5102](#)

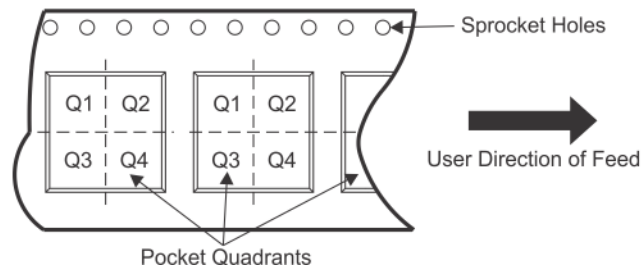
NOTE: Qualified Version Definitions:

- Catalog - TI's standard catalog product

## TAPE AND REEL INFORMATION



### QUADRANT ASSIGNMENTS FOR PIN 1 ORIENTATION IN TAPE



\*All dimensions are nominal

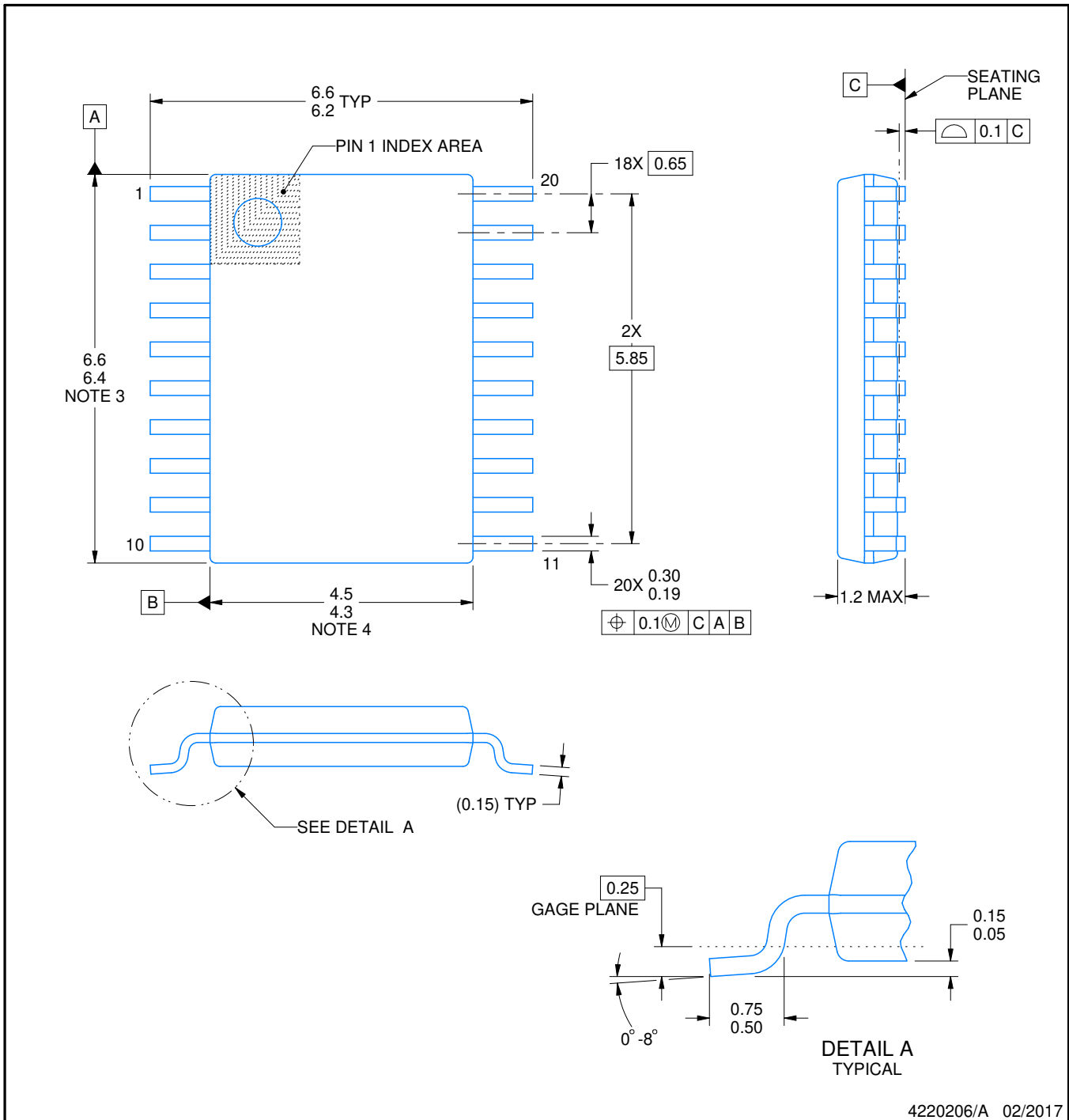
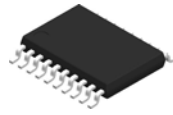
Device	Package Type	Package Drawing	Pins	SPQ	Reel Diameter (mm)	Reel Width W1 (mm)	A0 (mm)	B0 (mm)	K0 (mm)	P1 (mm)	W (mm)	Pin1 Quadrant
PCM5102TPWRQ1	TSSOP	PW	20	2000	330.0	16.4	6.95	7.1	1.6	8.0	16.0	Q1

TAPE AND REEL BOX DIMENSIONS



\*All dimensions are nominal

Device	Package Type	Package Drawing	Pins	SPQ	Length (mm)	Width (mm)	Height (mm)
PCM5102TPWRQ1	TSSOP	PW	20	2000	350.0	350.0	43.0



4220206/A 02/2017

NOTES:

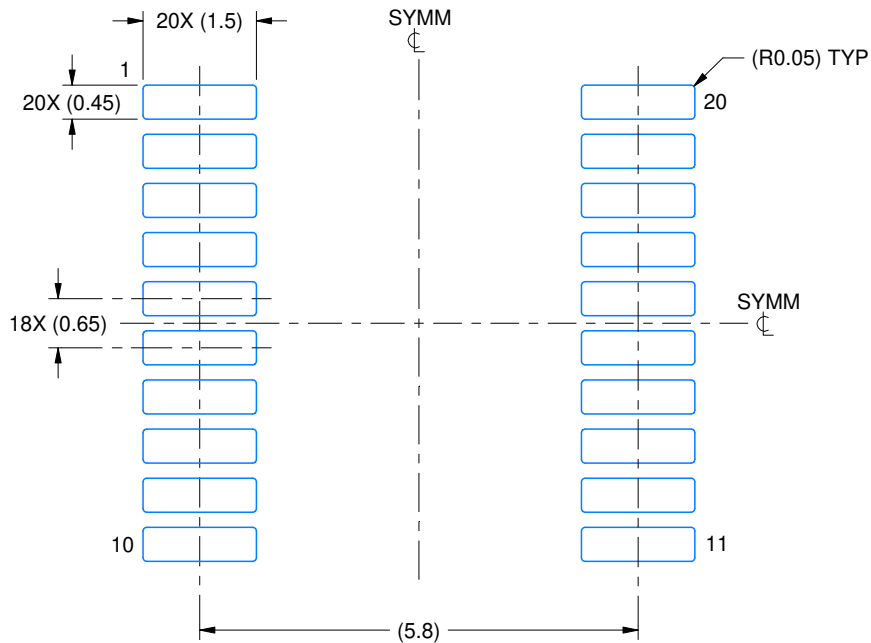
1. All linear dimensions are in millimeters. Any dimensions in parenthesis are for reference only. Dimensioning and tolerancing per ASME Y14.5M.
2. This drawing is subject to change without notice.
3. This dimension does not include mold flash, protrusions, or gate burrs. Mold flash, protrusions, or gate burrs shall not exceed 0.15 mm per side.
4. This dimension does not include interlead flash. Interlead flash shall not exceed 0.25 mm per side.
5. Reference JEDEC registration MO-153.

# EXAMPLE BOARD LAYOUT

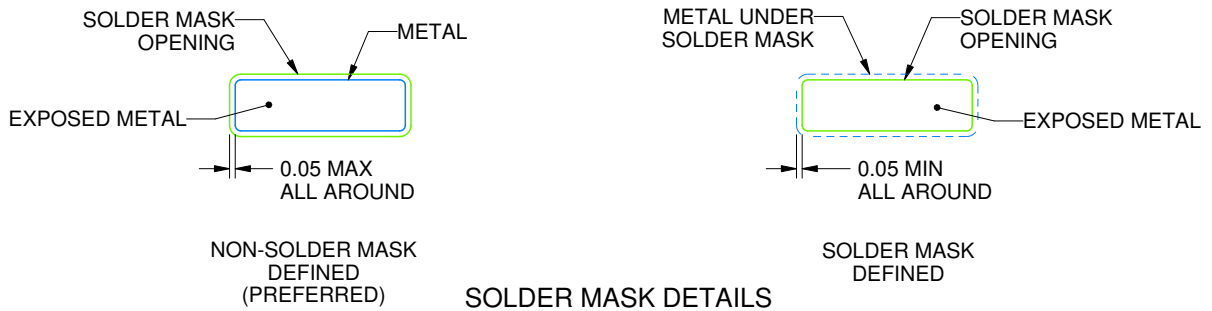
PW0020A

TSSOP - 1.2 mm max height

SMALL OUTLINE PACKAGE



LAND PATTERN EXAMPLE  
EXPOSED METAL SHOWN  
SCALE: 10X



SOLDER MASK DETAILS

4220206/A 02/2017

NOTES: (continued)

- 6. Publication IPC-7351 may have alternate designs.
- 7. Solder mask tolerances between and around signal pads can vary based on board fabrication site.

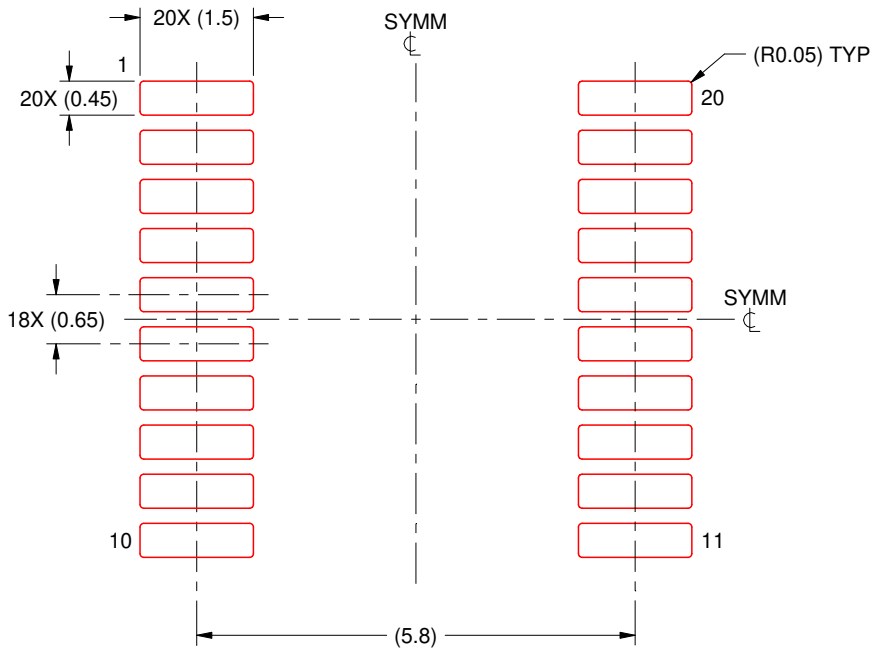


# EXAMPLE STENCIL DESIGN

PW0020A

TSSOP - 1.2 mm max height

SMALL OUTLINE PACKAGE



SOLDER PASTE EXAMPLE  
BASED ON 0.125 mm THICK STENCIL  
SCALE: 10X

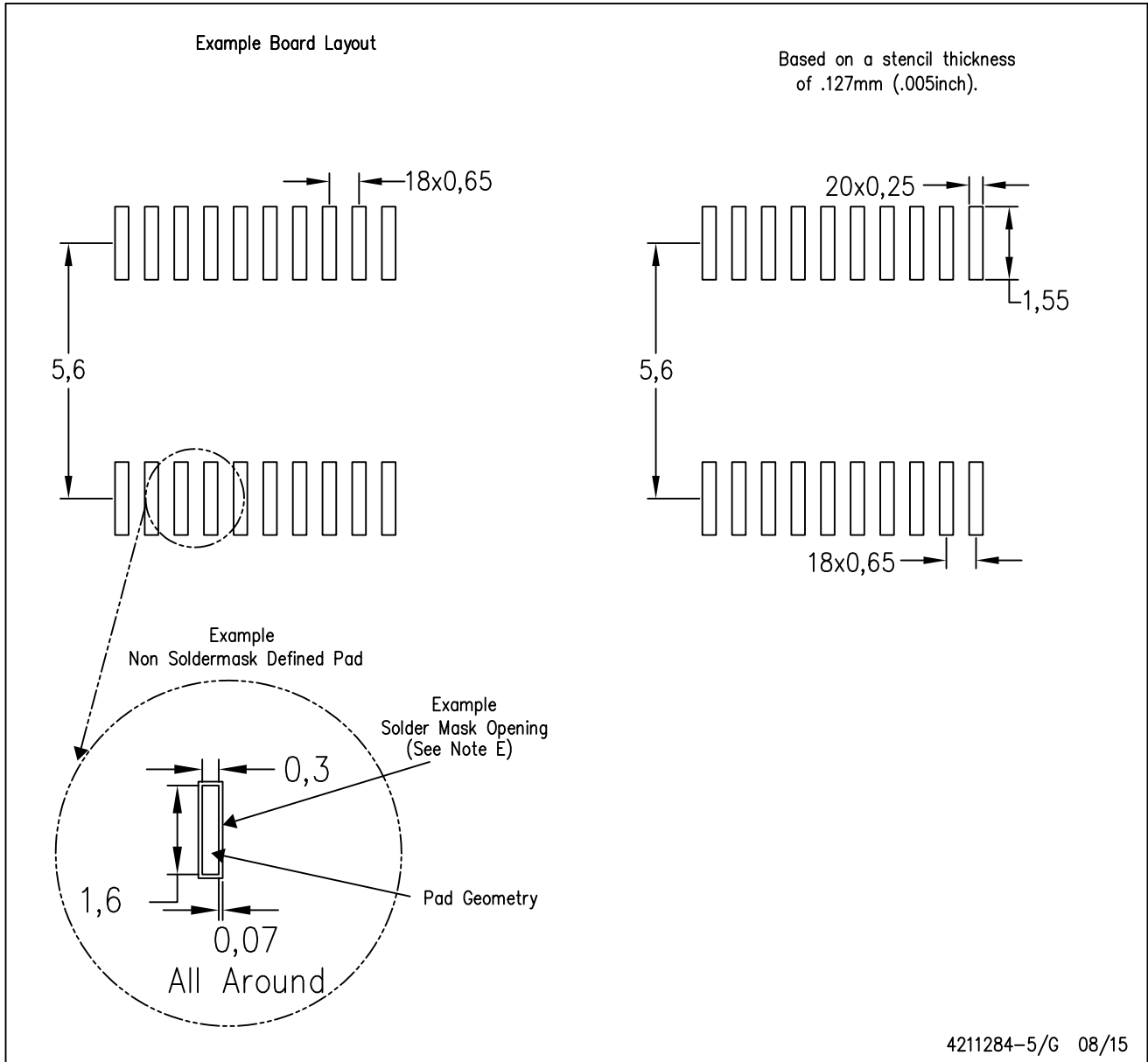
4220206/A 02/2017

NOTES: (continued)

8. Laser cutting apertures with trapezoidal walls and rounded corners may offer better paste release. IPC-7525 may have alternate design recommendations.
9. Board assembly site may have different recommendations for stencil design.

PW (R-PDSO-G20)

PLASTIC SMALL OUTLINE



- NOTES:
- A. All linear dimensions are in millimeters.
  - B. This drawing is subject to change without notice.
  - C. Publication IPC-7351 is recommended for alternate design.
  - D. Laser cutting apertures with trapezoidal walls and also rounding corners will offer better paste release. Customers should contact their board assembly site for stencil design recommendations. Refer to IPC-7525 for other stencil recommendations.
  - E. Customers should contact their board fabrication site for solder mask tolerances between and around signal pads.

## IMPORTANT NOTICE AND DISCLAIMER

TI PROVIDES TECHNICAL AND RELIABILITY DATA (INCLUDING DATA SHEETS), DESIGN RESOURCES (INCLUDING REFERENCE DESIGNS), APPLICATION OR OTHER DESIGN ADVICE, WEB TOOLS, SAFETY INFORMATION, AND OTHER RESOURCES "AS IS" AND WITH ALL FAULTS, AND DISCLAIMS ALL WARRANTIES, EXPRESS AND IMPLIED, INCLUDING WITHOUT LIMITATION ANY IMPLIED WARRANTIES OF MERCHANTABILITY, FITNESS FOR A PARTICULAR PURPOSE OR NON-INFRINGEMENT OF THIRD PARTY INTELLECTUAL PROPERTY RIGHTS.

These resources are intended for skilled developers designing with TI products. You are solely responsible for (1) selecting the appropriate TI products for your application, (2) designing, validating and testing your application, and (3) ensuring your application meets applicable standards, and any other safety, security, regulatory or other requirements.

These resources are subject to change without notice. TI grants you permission to use these resources only for development of an application that uses the TI products described in the resource. Other reproduction and display of these resources is prohibited. No license is granted to any other TI intellectual property right or to any third party intellectual property right. TI disclaims responsibility for, and you will fully indemnify TI and its representatives against, any claims, damages, costs, losses, and liabilities arising out of your use of these resources.

TI's products are provided subject to [TI's Terms of Sale](#) or other applicable terms available either on [ti.com](http://ti.com) or provided in conjunction with such TI products. TI's provision of these resources does not expand or otherwise alter TI's applicable warranties or warranty disclaimers for TI products.

TI objects to and rejects any additional or different terms you may have proposed.

Mailing Address: Texas Instruments, Post Office Box 655303, Dallas, Texas 75265  
Copyright © 2021, Texas Instruments Incorporated