

4

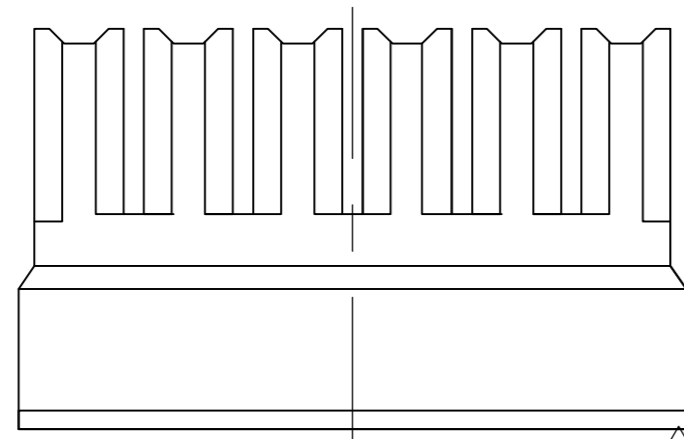
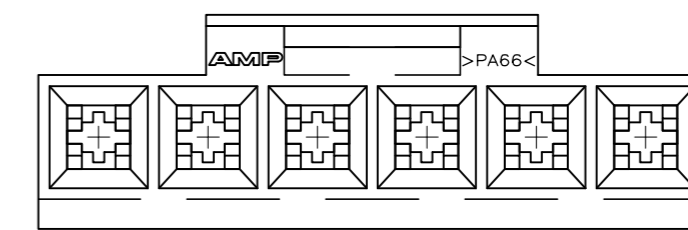
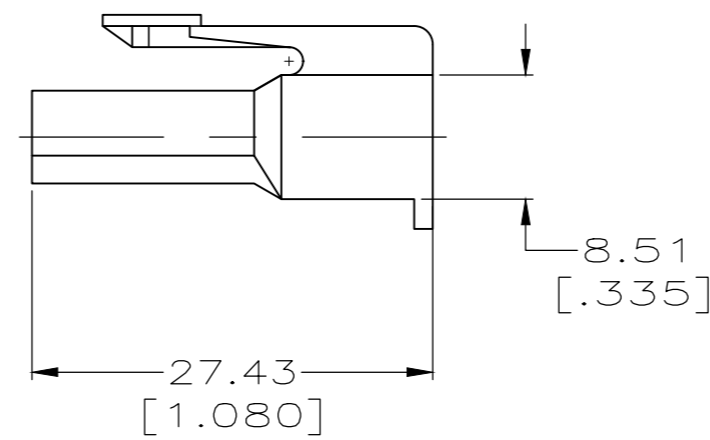
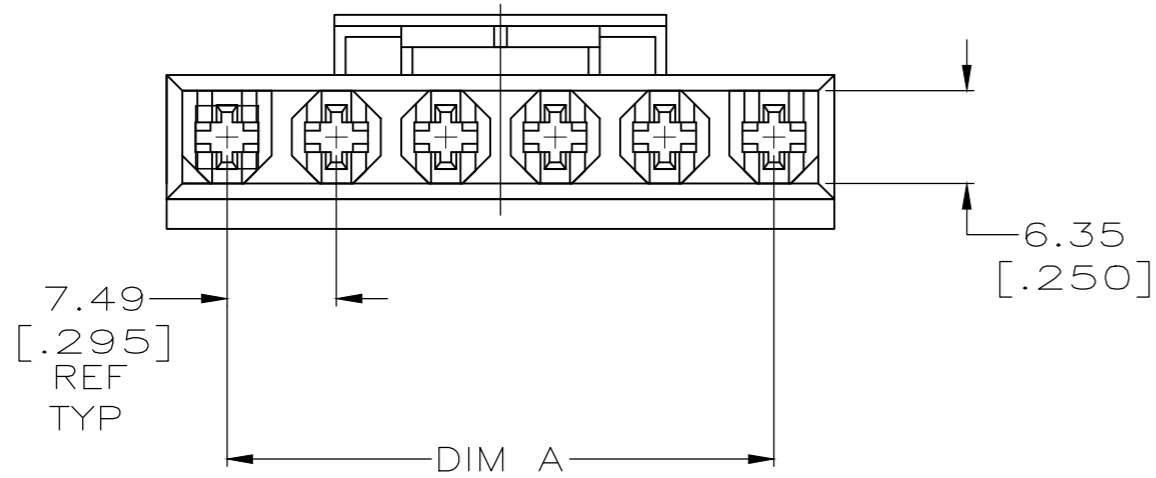
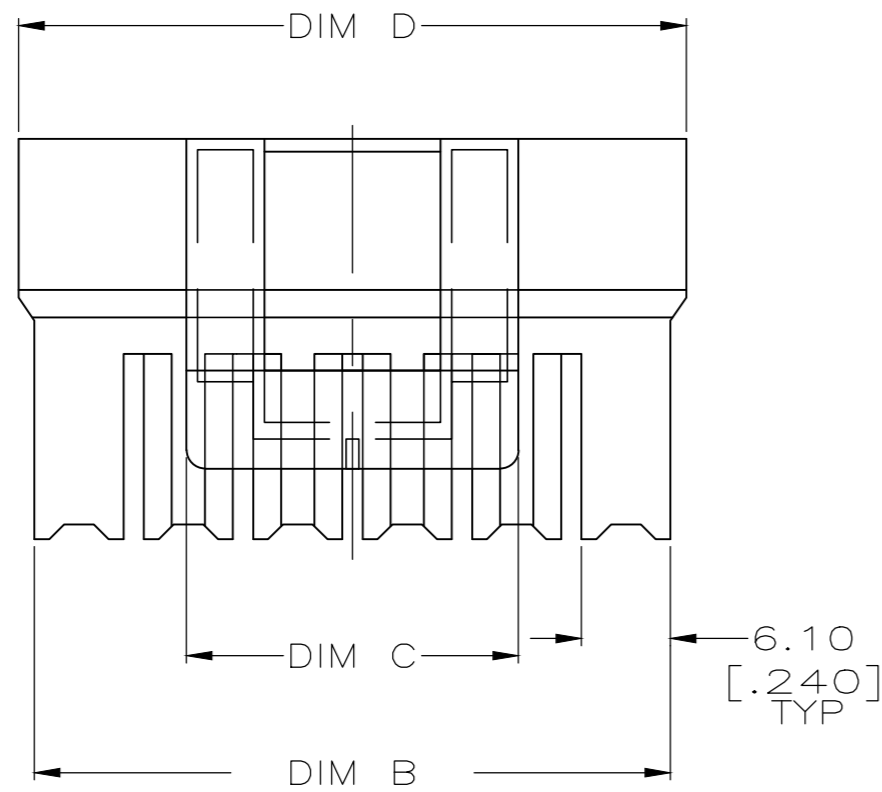
3

2

1

THIS DRAWING IS UNPUBLISHED. RELEASED FOR PUBLICATION
 © COPYRIGHT - TE Connectivity Ltd. ALL RIGHTS RESERVED.

REVISIONS				
P	LTR	DESCRIPTION	DATE	APVD
	B2	REVISED PER ECR-18-011199	12JUL18	MD TD



- 1 PART ACCEPTS 3.18[.125] RECEPTACLE CONTACT PART NUMBER 1217039-1.
- 2 TWO POSITION PLUG WILL HAVE (2) SIX SIDED PLUGS, EACH ADDITIONAL POSITION WILL ADD AN EIGHT SIDED PLUG BETWEEN THE (2) OUTSIDE PLUGS.
- 3 PRELIMINARY - NOT FOR PRODUCTION
- 4 OBSOLETE PARTS: OBSOLETE CIS STREAMLINING PER D.RENAUD/D.SINISI

4	OBSOLETE	521189-8	68.20[2.685]	22.73[.895]	66.04[2.600]	59.94[2.360]	9	3	521190-8
4	OBSOLETE	521189-7	60.70[2.390]	22.73[.895]	58.55[2.305]	52.45[2.065]	8	3	521190-7
	OBSOLETE	521189-6	53.21[2.095]	22.73[.895]	51.05[2.010]	44.96[1.770]	7		521190-6
	4	521189-5	45.72[1.800]	22.73[.895]	43.56[1.715]	37.46[1.475]	6		521190-5
		521189-4	38.23[1.505]	22.73[.895]	36.07[1.420]	29.97[1.180]	5		521190-4
4	OBSOLETE	521189-3	30.73[1.210]	22.73[.895]	28.58[1.125]	22.48[.885]	4		521190-3
		521189-2	23.24[.915]	15.75[.620]	21.08[.830]	14.99[.590]	3		521190-2
4	OBSOLETE	521189-1	15.75[.620]	15.75[.620]	13.59[.535]	7.49[.295]	2		521190-1
		MATES WITH PART NO	DIMENSION D	DIMENSION C	DIMENSION B	DIMENSION A	NO OF POSITIONS		PART NUMBER

THIS DRAWING IS A CONTROLLED DOCUMENT.

DWN PHILLIP M FORTNEY 14OCT98
 CHR JEFF R RUTH 14OCT98
 APVD DONALD DECKER 14OCT98

STE TE Connectivity Ltd.

NAME: PLUG,3.18 [.125] BLADE

PRODUCT SPEC: -
 APPLICATION SPEC: -

SIZE: A2 CAGE CODE: 00779 DRAWING NO: 521190 RESTRICTED TO: -

MATERIAL: 6/6 NYLON FINISH: COLOR-BLACK

WEIGHT: 0,000000

CUSTOMER DRAWING SCALE: 2:1 SHEET: 1 OF 1 REV: B2

521190

B

A