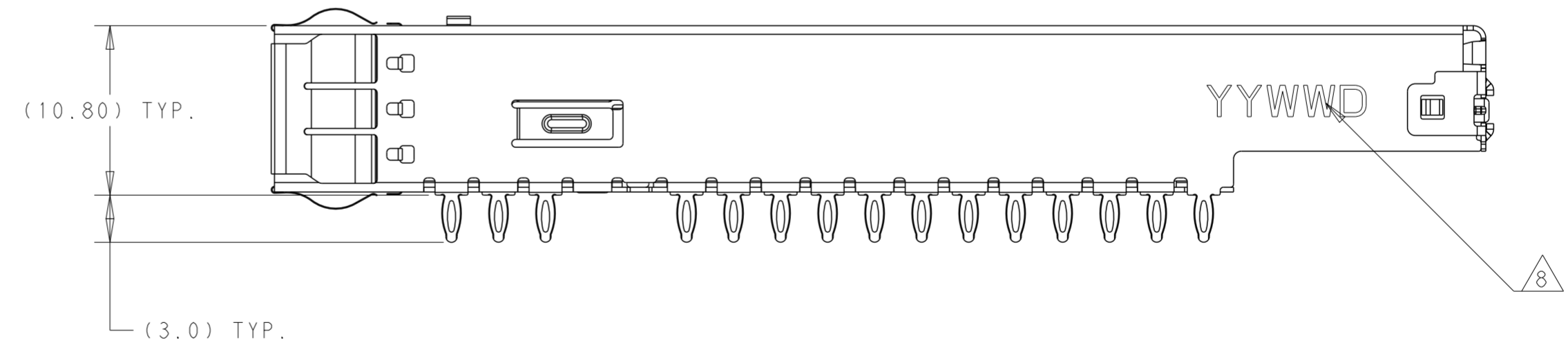
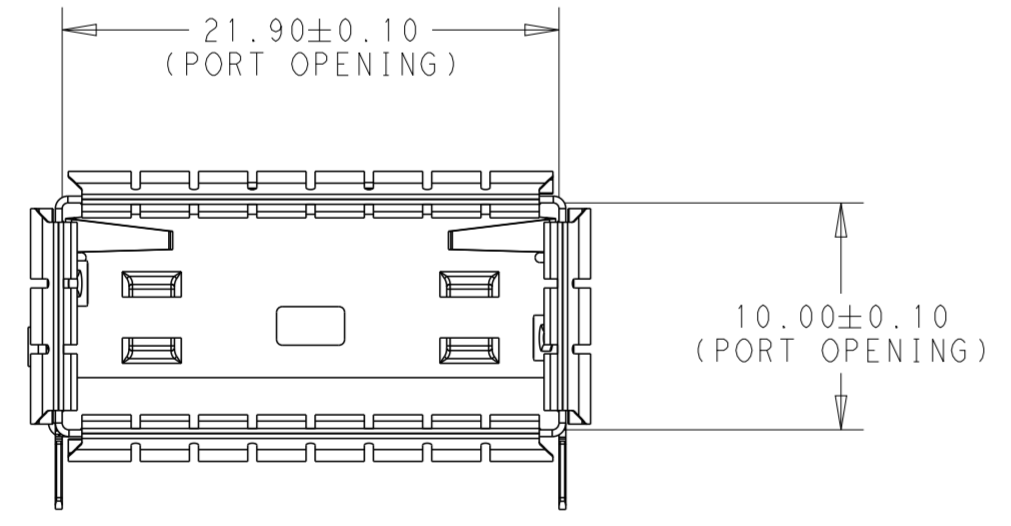


THIS DRAWING IS UNPUBLISHED. RELEASED FOR PUBLICATION 20
 © COPYRIGHT 20 BY - ALL RIGHTS RESERVED.

REVISIONS				
P	LTR	DESCRIPTION	DATE	APVD
1		PRELIMINARY DRAWING	20MAY2016	AD SH
2		REVISED PER ECN-22-167680	03AUG2022	AK SZ

- 1. MATERIAL : CAGE : 0.3MM THICK NICKEL SILVER ALLOY;
EMI SPRING: COPPER ALLOY;
- 2. FINISH: EMI SPRING -1.27um NICKEL PALTING OVER ALL;
- 3. MATES WITH CFP MSA COMPLIANT TRANSCEIVERS.
- 4. DATUM AND BASIC DIMENSION ESTABLISHED BY CUSTOMER.
- 5. MINIMUM PC BOARD THICKNESS: SIGLE SIDE APPLICATIONS=2.99±0.10mm.
BELLY TO BELLY APPLICATION 3.0mm MIN.
- 6. PADS AND VIAS CHASSIS GROUND;
- 7. REFERENCE APPLICATION SPEC 114-XXXX, HOLE A, FOR
RECOMMENDED DRILL HOLE DIAMETER AND PLATING THICKNESS.
- 8. DATE CODE MARKED APPROXIMATE AREA.

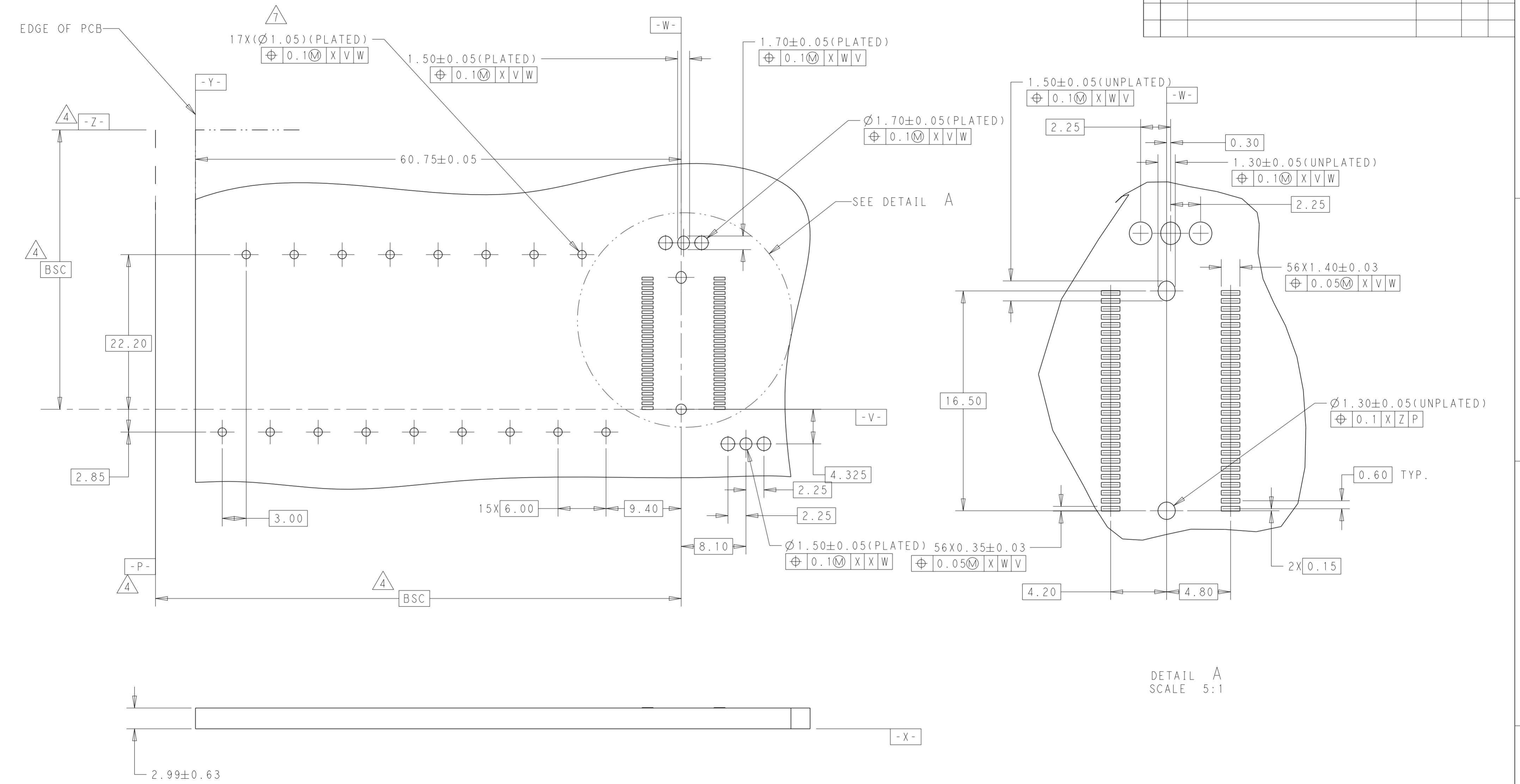


OBsolete 2288227-2
PART NUMBER

THIS DRAWING IS A CONTROLLED DOCUMENT.		DWN ANDY.XIE 20MAY2016	STC TE Connectivity	
DIMENSIONS: mm		CHK SEAN.HAN 20MAY2016		
TOLERANCES UNLESS OTHERWISE SPECIFIED:		APVD SEAN.HAN 20MAY2016	NAME CAGE ASSEMBLY, CFP4 1X1 PRESS FIT, EMI SPRING	
0 PLC ±	1 PLC ±0.25	PRODUCT SPEC	SIZE	RESTRICTED TO
2 PLC ±0.15	3 PLC ±0.1	APPLICATION SPEC	A2	
4 PLC ±	ANGLES ±	WEIGHT	CAGE CODE	DRAWING NO
MATERIAL	FINISH	CUSTOMER DRAWING	-	G-2288227
		SCALE	3:1	SHEET 1 OF 4 REV 2

THIS DRAWING IS UNPUBLISHED. RELEASED FOR PUBLICATION 20
 © COPYRIGHT 20 BY - ALL RIGHTS RESERVED.

REVISIONS				
P	LTR	DESCRIPTION	DATE	APVD
-	-	SEE SHEET 1	-	-

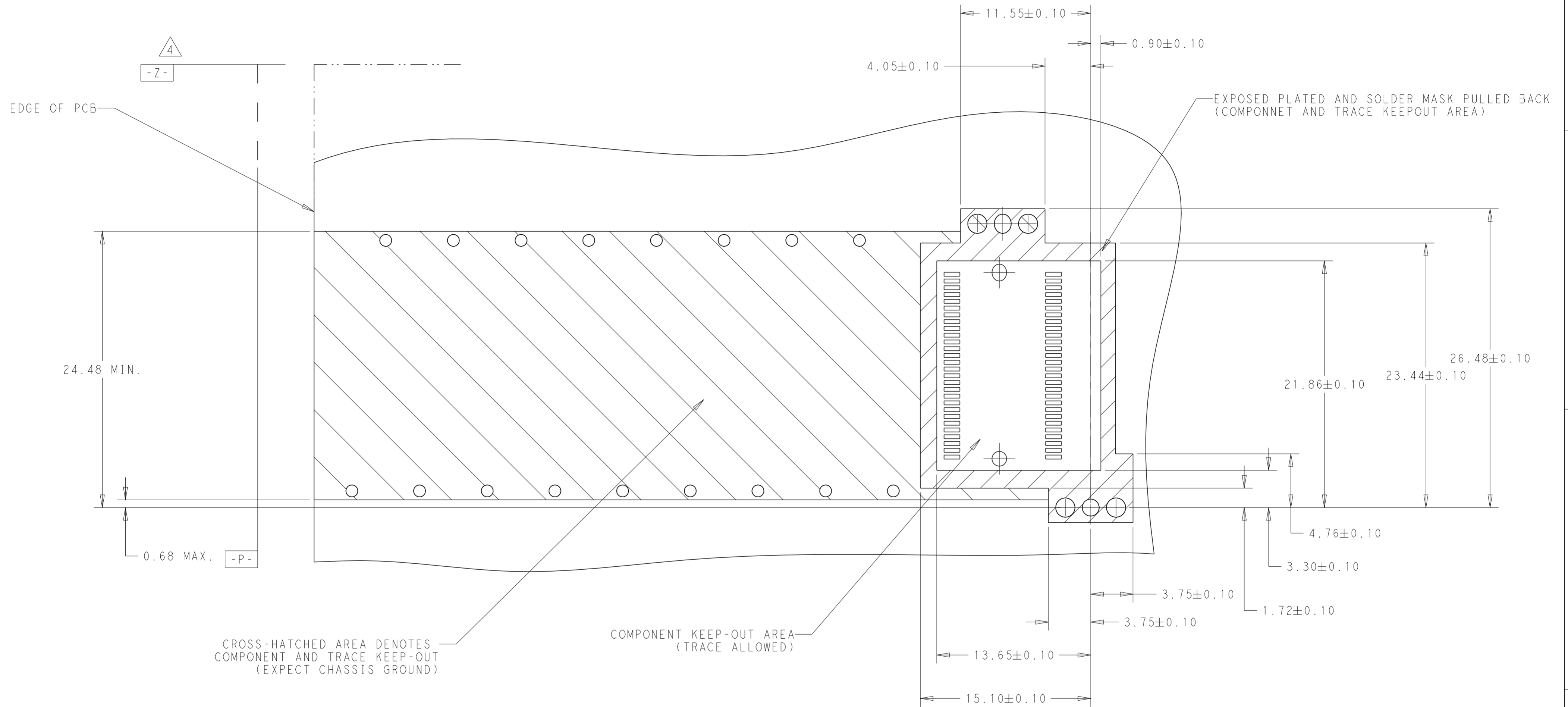



DETAIL A
SCALE 5:1

THIS DRAWING IS A CONTROLLED DOCUMENT.		DWN ANDY.XIE 20MAY2016	TE Connectivity	
DIMENSIONS: mm		CHK SEAN.HAN 20MAY2016		
TOLERANCES UNLESS OTHERWISE SPECIFIED:		APVD SEAN.HAN 20MAY2016	NAME CAGE ASSEMBLY, CFP4 1X1 PRESS FIT, EMI SPRING	
0 PLC ± 1 PLC ±0.25 2 PLC ±0.15 3 PLC ±0.10 4 PLC ± ANGLES ± FINISH ±		PRODUCT SPEC -	SIZE A2	
MATERIAL -		APPLICATION SPEC -	CAGE CODE -	DRAWING NO. C-2288227
		WEIGHT -	RESTRICTED TO	SCALE 3:1 SHEET 2 OF 4 REV 2
		CUSTOMER DRAWING		

THIS DRAWING IS UNPUBLISHED. RELEASED FOR PUBLICATION 20
 © COPYRIGHT 20 BY - ALL RIGHTS RESERVED.

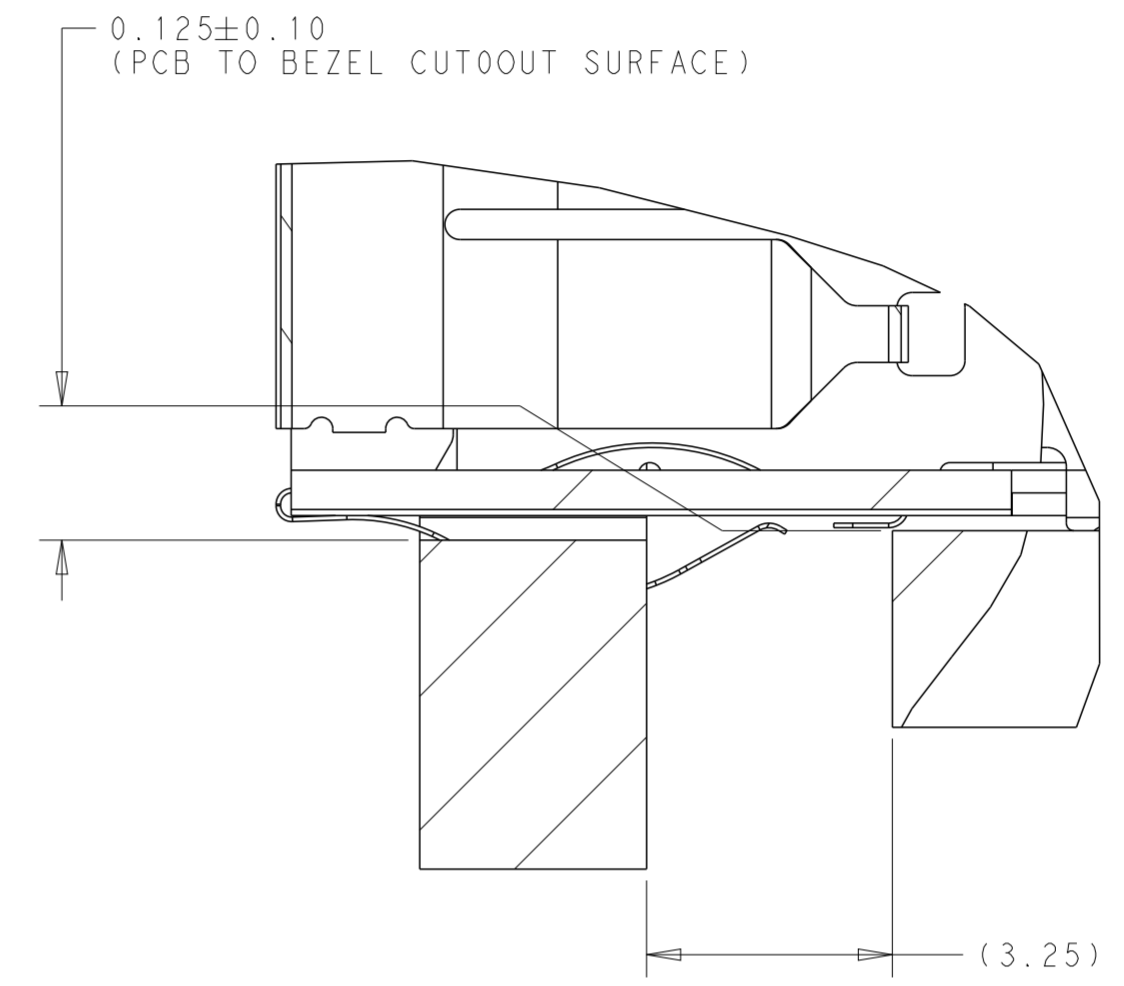
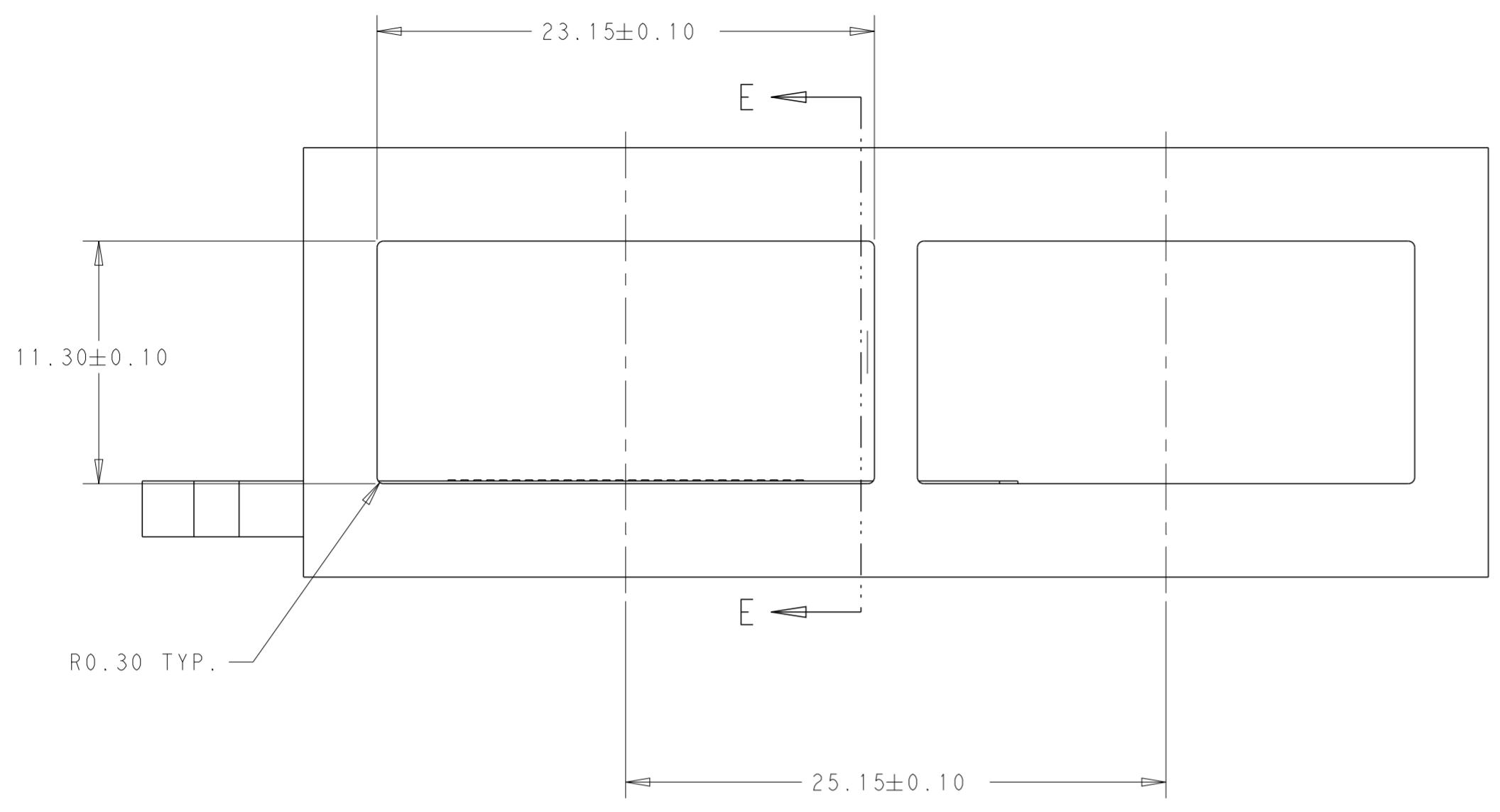
REVISIONS				
P	LTR	DESCRIPTION	DATE	APVD
-	-	SEE SHEET 1	-	-



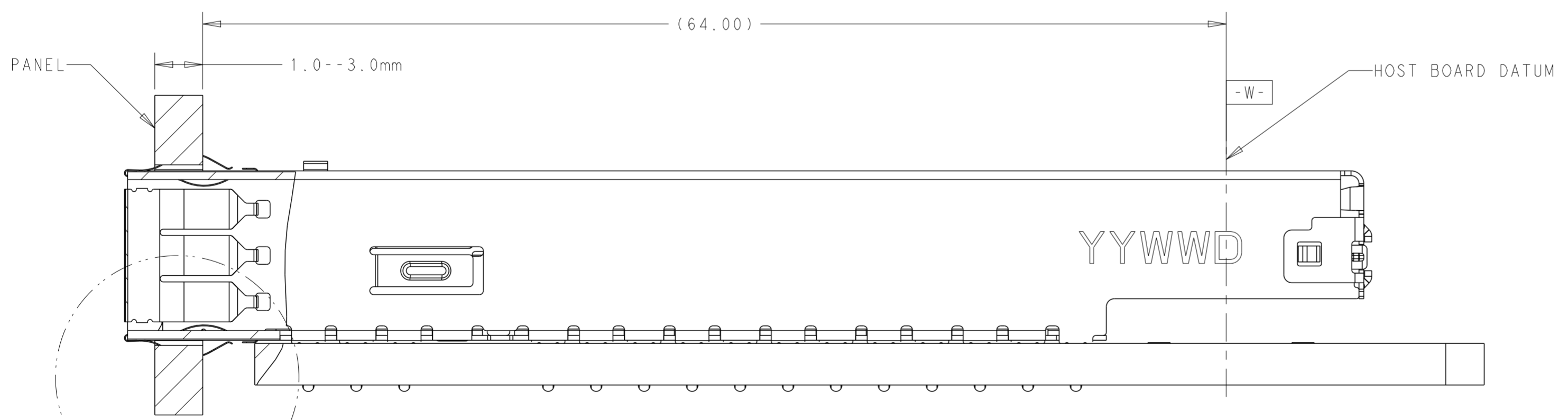
THIS DRAWING IS A CONTROLLED DOCUMENT.		DWN ANDY.XIE 20MAY2016	 TE Connectivity	
DIMENSIONS: mm		CHK SEAN.HAN 20MAY2016		
TOLERANCES UNLESS OTHERWISE SPECIFIED:		APVD SEAN.HAN 20MAY2016	NAME CAGE ASSEMBLY, CFP4 1X1 PRESS FIT, EMI SPRING	
0 PLC ±	1 PLC ±0.25	PRODUCT SPEC	SIZE A2	CAGE CODE -
2 PLC ±0.15	3 PLC ±0.10	APPLICATION SPEC	DRAWING NO C-2288227	RESTRICTED TO
4 PLC ±	ANGLES ±	WEIGHT	SCALE 4:1	SHEET 3 OF 4
MATERIAL	FINISH	CUSTOMER DRAWING	REV 2	

THIS DRAWING IS UNPUBLISHED. RELEASED FOR PUBLICATION 20
 © COPYRIGHT 20 BY - ALL RIGHTS RESERVED.

REVISIONS				
P	LTR	DESCRIPTION	DATE	APVD
-	-	SEE SHEET 1	-	-



DETAIL B
SCALE 10:1



SECTION E-E
SCALE 4:1

SEE DETAIL B

THIS DRAWING IS A CONTROLLED DOCUMENT.		DWN ANDY.XIE 20MAY2016	STE TE Connectivity	
DIMENSIONS: mm		CHK SEAN.HAN 20MAY2016		
TOLERANCES UNLESS OTHERWISE SPECIFIED:		APVD SEAN.HAN 20MAY2016	NAME CAGE ASSEMBLY,CFP4 1X1 PRESS FIT,EMI SPRING	
0 PLC ±	1 PLC ±0.25	PRODUCT SPEC	SIZE A2	CAGE CODE -
2 PLC ±0.15	3 PLC ±0.10	APPLICATION SPEC	DRAWING NO C-2288227	RESTRICTED TO
4 PLC ±	ANGLES ±	WEIGHT	SCALE 4:1	SHEET 4 OF 4
MATERIAL	FINISH	CUSTOMER DRAWING	REV 2	