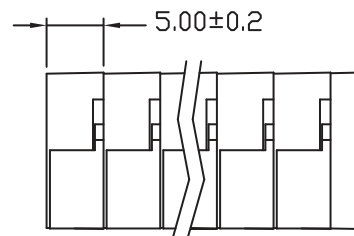
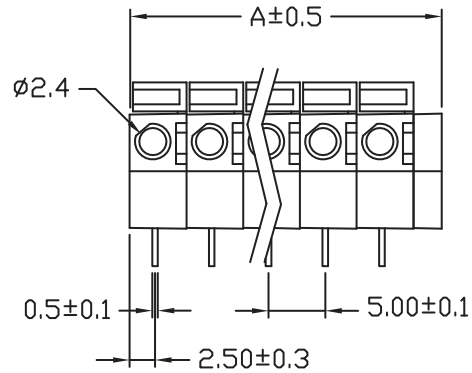
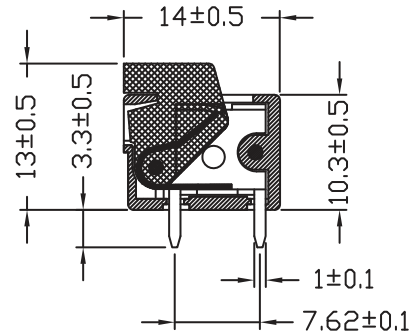


PCB LAYOUT - COMPONENT VIEW



Pitch : 5.00mm

Poles	A(mm)	Poles	A(mm)
2	12.54	15	77.54
3	17.54	16	82.54
4	22.54	17	
5	27.54	18	
6	32.54	19	
7	37.54	20	
8	42.54	21	
9	47.54	22	
10	52.54	23	
11	57.54	24	
12	62.54	25	
13	67.54	26	
14	72.54	27	

TECHNICAL CHARACTERISTICS

MATERIAL
 INSULATOR: PA66
 FLAMABILITY RATING: UL94-V0
 COLOR: GREEN
 METAL HOUSING: BRASS (CuZn)
 WIRE GUARD: STAINLESS STEEL
 SOLDER TAIL PLATING: TIN

ENVIRONMENTAL
 OPERATING TEMPERATURE: -40 UP TO 105°C
 COMPLIANCE: LEAD FREE AND ROHS

ELECTRICAL	cULus	VDE
CURRENT RATING:	10A	16A
WORKING VOLTAGE:	300VAC	450VAC
WITHSTANDING VOLTAGE:	2.0KV	-
CONTACT RESISTANCE:	20mOhm MAX	-

STANDARD

CERTIFIED E315414
 CERTIFIED 40036896

MECHANICAL

SOLID WIRE: 24-14 AWG / 0.205-2.08 MM²
 STRANDED WIRE: 24-14 AWG / 0.205-2.08 MM²

WIRE STRIPE LENGTH: 9-10 MM
 PITCH: 5.0 MM

SOLDERING

JEDEC LEAD FREE WAVE PROCESS ONLY

PACKAGING

BOX

RoHS Compliant

G			
F			
E			
D			
C			
B	24-SEP-13	DWG REVIEW	QL
A	02-JUL-12	PDF	GG
REV	DATE	FILE	BY

PROJECTION:

 APPROVAL: RJ

GENERAL TOLERANCE
 .X = +/- 0.2
 .XX = +/- 0.15
 UNIT: MM
 SCALE:
 SHEET: 1/2
 DRAW: MARVIN



DESCRIPTION: SERIE 401 - 5.00MM SCREWLESS HORIZONTAL ENTRY
 - WR-TBL
 WERI PART NO: 691 401 710 0xx B

SIZE
A4

1

2

3

4

5

Cautions and Warnings:

This electronic component is designed and developed with the intention for use in general electronics equipments.

Before incorporating the components into any equipments in the field such as aerospace, aviation, nuclear control, submarine, transportation, (automotive control, train control, ship control), transportation signal, disaster prevention, medical, public information network etc. where higher safety and reliability are especially required or if there is possibility of direct damage or injury to human body, Würth Elektronik must be asked for a written approval.

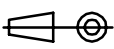

In addition, even electronic component in general electronic equipments, when used in electrical circuits that require high safety, reliability functions or performance, the sufficient reliability evaluation-check for the safety must be performed before by the user before usage.

A

B

C

RoHS Compliant

G				PROJECTION: 	GENERAL TOLERANCE .X = +/- 0.2 .XX = +/- 0.15		
F							
E							
D							
C				APPROVAL: JC	UNIT: MM	DESCRIPTION: DISCLAIMER	SIZE A4
B					SCALE:		
A	10-SEP-14	PDF	QL		SHEET: 2/2	WERI PART NO: DISCLAIMER	
REV	DATE	FILE	BY		DRAW: QL		

D