

**INVERSEURS DE SENS DE ROTATION MO-
TOR REVERSER**

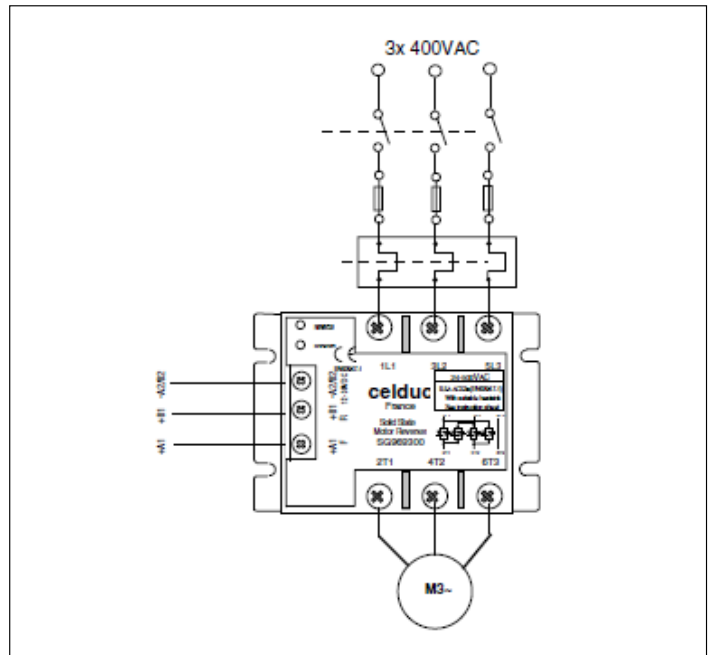
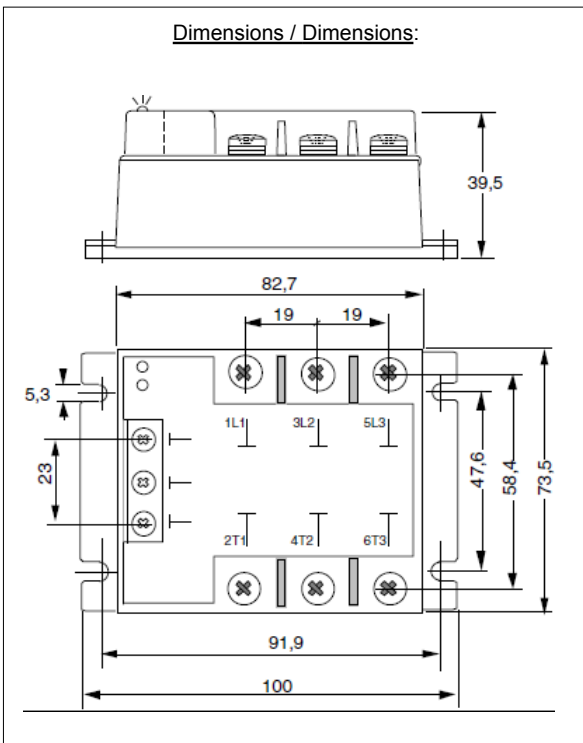
Entraxe 47,5mm / 47,5mm mounting

SG969300E

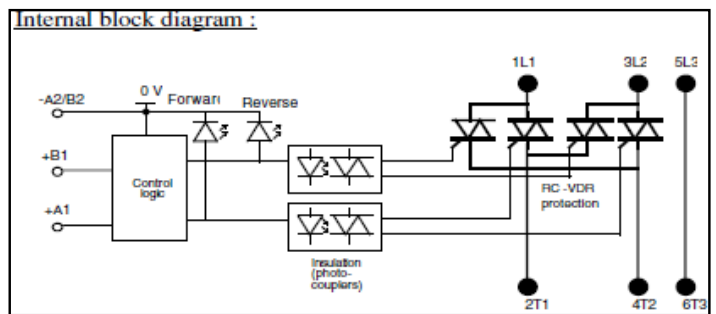
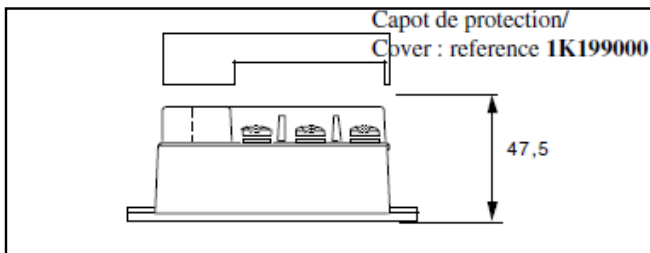
**3x400VAC 4KW
two legs model**

Le relais SG969300E est étudié pour démarrer et inverser le sens de rotation de moteurs triphasés asynchrones, avec la commutation de 2 phases uniquement (4 commutateurs : 2 legs) . Le calibre des thyristors est de 50ARMS (75A sur demande) , ce qui permet de contrôler un moteur avec un courant nominal de 8 à 10ARMS soit 4kWatts sous 400VAC (7,5kW sur demande avec les calibres 75A), en tenant compte des courants de démarrage et d'inversion. Ces produits sont réalisés avec des composants haute immunité , sans relais REED (tout électronique) , avec toutes les protections : RC , VDR,... mais aussi intervrouillage , temporisation entre chaque inversion,... Ces relais sont équipés de thyristors 1600V.

The relay SG969300E is designed for controlling and inverting the direction of a three-phase motors without direct third leg (two legs). The maximum current of semiconductors is 50 Amps. rms (75A on request), which allows a motor with a current rating of 8 up to 10 Amps.rms (or approximately 4 kW under 400 V (7,5kW on request)), taking the starting and reversing current into account. These products are designed with very high immunity components , without REED switches (only composed of solid state components) , with all protections : RC , VDR ,..... temporisation ,....., and 1600Volt peak voltage components.

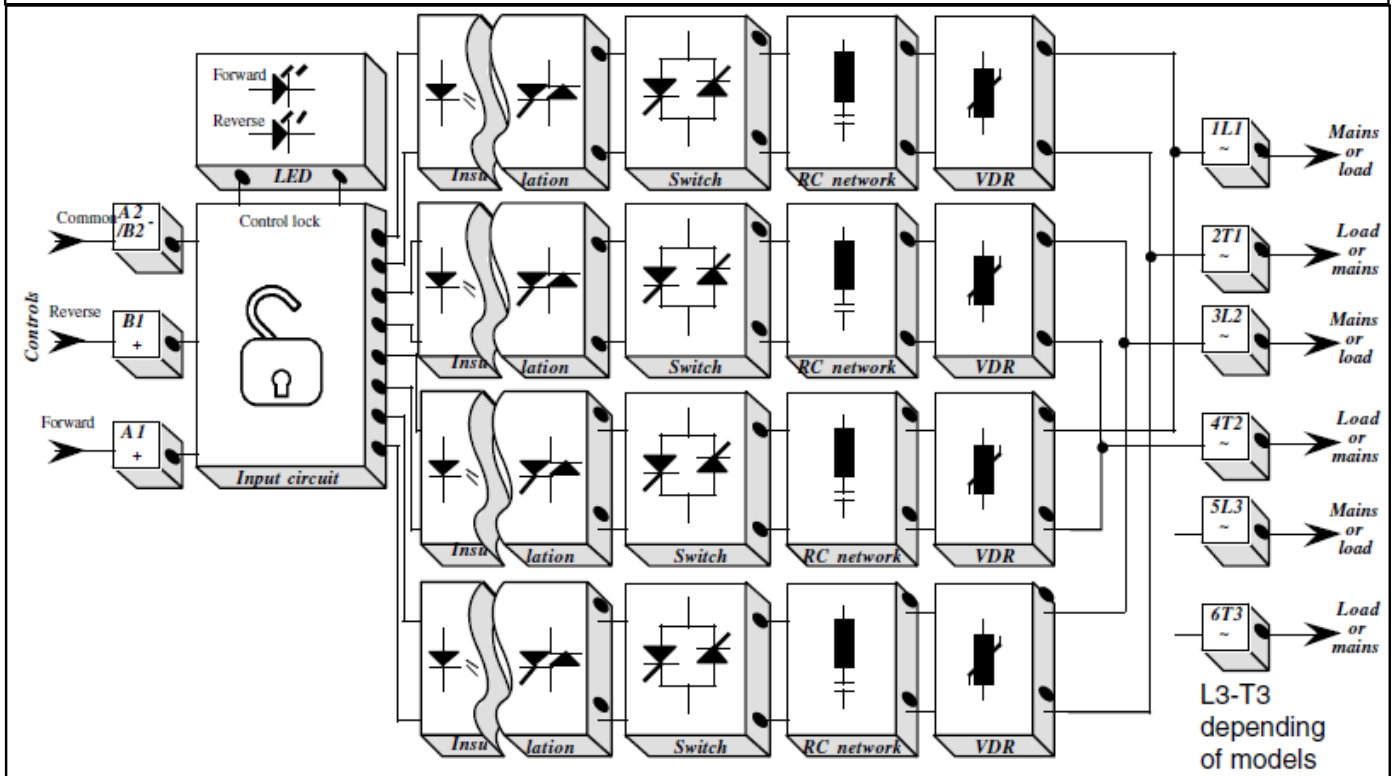


Circuit équivalent/Equivalent circuit :



Proud to serve you

Synoptique interne / Internal diagram for two leg models :



Développé conformément aux normes / Designed in compliance with standards:

- >EN60947-4-2 (V.D.E. 0660 part 109, I.E.C. 158-2) ->EN60947-1 & A11
- >EN60950 (V.D.E. 0805-> office equipment) (Pending approval)
- >U.L. 508 (Pending approval) ->c.U.L (Pending approval)

Control	Plage de tension de commande / Control voltage range	Uc	12-30VDC
	Plage de courant de commande / Control current range	Ic	15-25mADC
	Tension de non fonctionnement/ Release voltage	Ur	6VDC
	LED de visualisation / Display LED		Yes
	protection en cas de cdes simultanées / protection against simultaneous controls		Yes
	tension inverse maxi / Maximum reverse voltage	Urv	30V
	Signal de sortie / Output signal		no output

Caractéristiques d'entrée-sortie (à 20°C) / Input-output characteristics (at 20°C)				Unit
Isolement entrée-sortie/ Input-output isolation @500m	Ui	3300		VRMS
Isolement sortie-semelle/ Output-case isolation @500m	Ui	3300		VRMS
Tension assignée isolement/rated impulse voltage	Uimp	4000		V

Caractéristiques générales / General characteristics				Unit
Poids/Weight		130g		g
Plage de température de stockage / Storage temperature range		-40 / +100		°C
Plage de température de fonctionnement/Operating temperature range		-40 / +100		°C



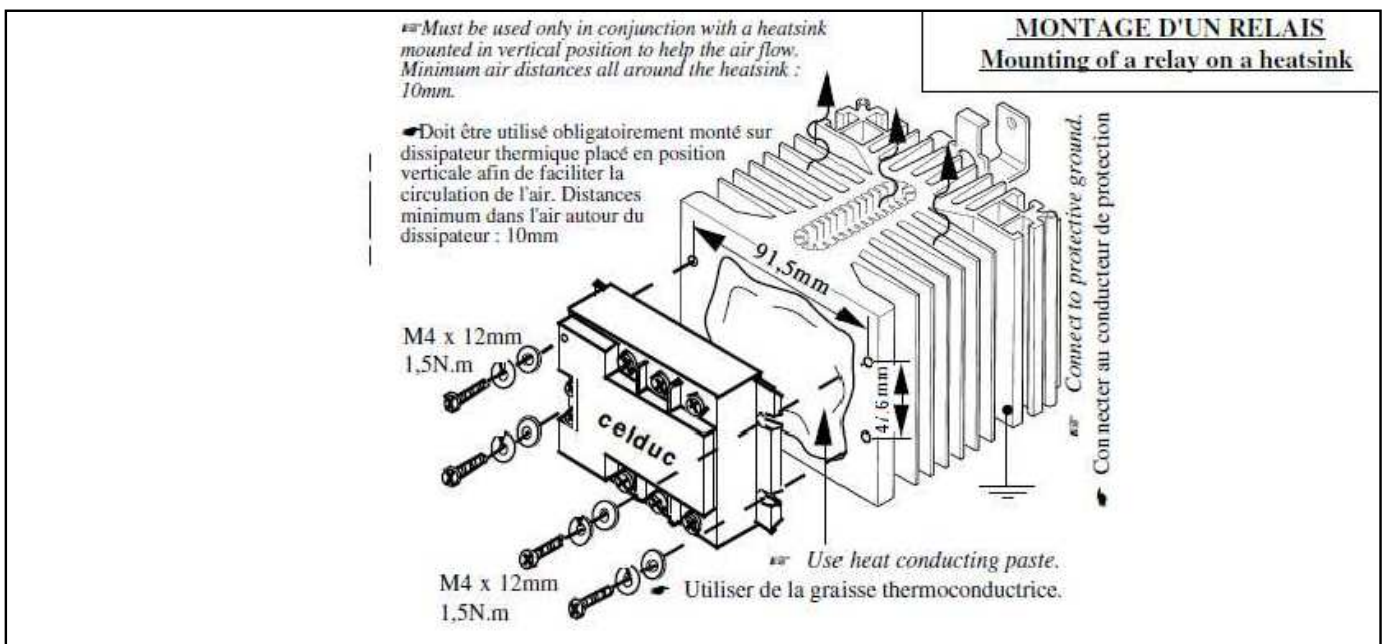
celduc[®]
relais

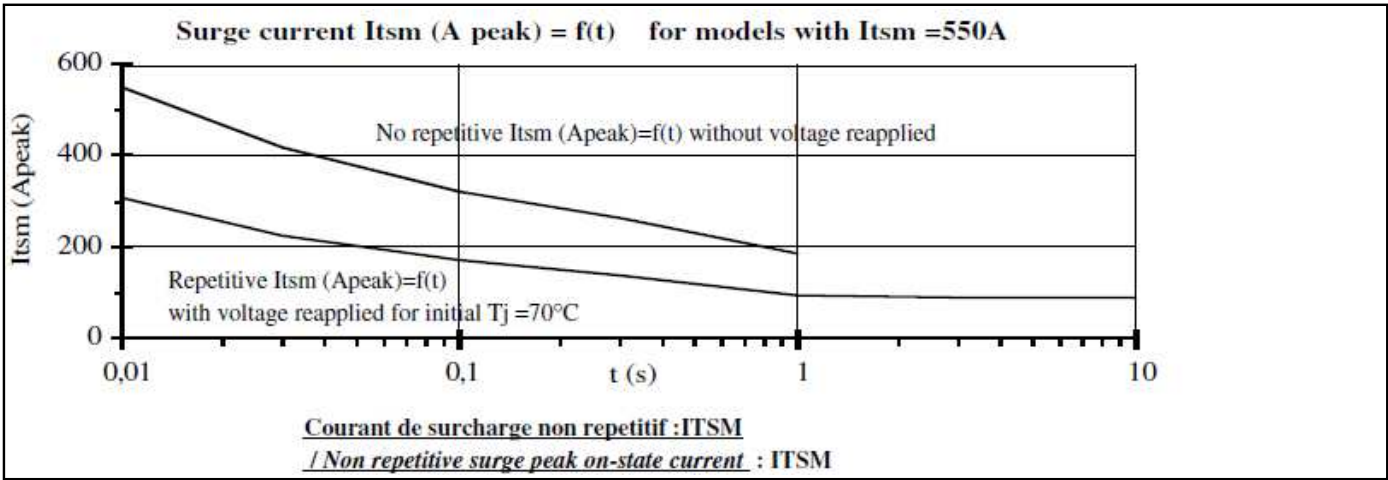
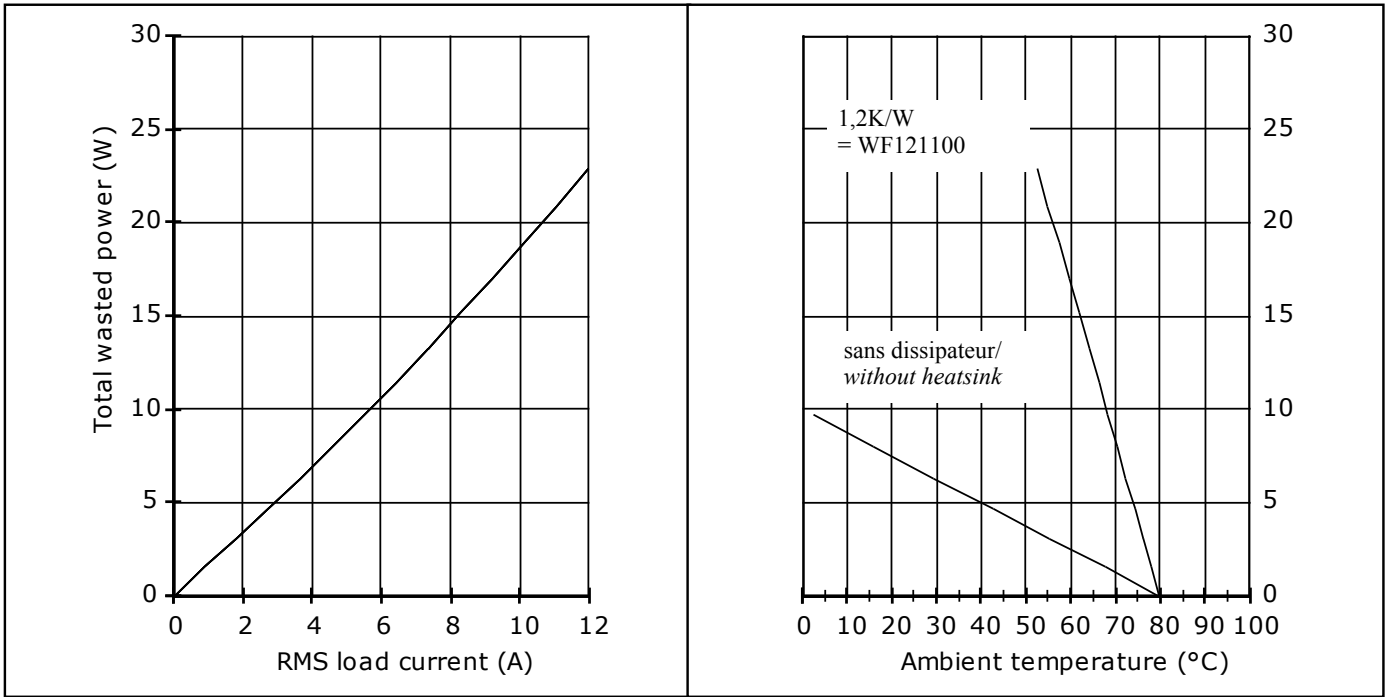
www.celduc.com

5, Rue Ampère BP30004 42290 SORBIERS - FRANCE E-mail : celduc-relais@celduc.com
 Fax +33 (0) 4 77 53 85 51 Service Commercial France Tél. : +33 (0) 4 77 53 90 20
 Sales Dept.For Europe Tel. : +33 (0) 4 77 53 90 21 Sales Dept. Asia : Tél. +33 (0) 4 77 53 90 19

Sortie/ Output	Tension nominale/ Standard mains voltage	Ue	400 VAC
	Plage de tension de fonctionnement / Mains voltage range	Un	24-500VAC *
	tension crête non répétitive/ Non-repetitive maximum peak voltage	Up	1600V
	Courant AC-53 maxi/ Max. nom. current (AC53a=AC3) @40°C	Ie	8,5A (see motor reverser selection)
	Puissance moteur/ 3 pole power motor (3x400VAC)	Pn	4kW/5,5hp
	Chute directe / Max Direct voltage drop (@Ie)	Ud	1,4VRMS
	Courant crête non répétitif/ Non repetitive overload current (@ 1 cycle of 10ms)	ITSM	550A
	I2t value/ Melting limit (choice of fuse) @10ms	I ² t	1500 A ² s
	Courant minimal de charge / Minimum load current	Imin	100 mA
	facteur de puissance/ Power factor (@ Ith)	Pf	0 up to 1
	Temps d'ouverture/ Turn off time (@50Hz)	toff	10ms
	Courant de fuite /Maximum leakage current (@Ue/50Hz)	Ilk	5 mARMS
* valeur nominale adaptée au réseau 480VAC +10% / Nominal value adapted to 480VAC mains + 10%			
E.M.C.	Max conducted immunity level Test accord. to I.E.C.1000-4-4 (bursts)		4KV direct at output, 4KV with a clamp at input no turn on or damage
	Max conducted immunity level Test acc. to I.E.C.1000-4-5 (el. shocks)		2KV in common mode, 1KV in differential mode (Input & output) no turn on or damage
	Max radiated immunity level Test accord. to I.E.C.1000-4-3		10V/m no turn on or damage
	Max electrostatic disch. immunity level Test accord. to I.E.C.1000-4-2		8KV in the air / 4KV touching no turn on or damage
	Max conducted emission level (0,8<Pf<1) Test according to EN55011		The conducted noise made by SSR depends on the wiring configuration and the load type. Test methods recommended by European E.M.C. standards giving results far from reality, we have chosen to advise the right filter suited for the customer's use: Refer to EMC chapter
	Max radiated emission level Test accord. to EN55011 @Ie		<30dBµV from 30 up to 230MHz ; <37dBµV from 230 up to 1000MHz
Misc.	Base/junction thermal resistance	Rthjc	0,5K/W (1 leg)
	Ambient/junction thermal resistance (relay mounted vertically)	Rthja	5K/W
	Weight		130g

Characteristics given at 25°C unless otherwise specified





REVERSERS + HEATSINK SELECTION IN COMPLIANCE WITH EN60947-4-2						
SSR SELECTION motors soft-staters for a permanent current		Relays without heatsink	Heatsink ambient =40°C heatsink =80°C	Relays with heatsink	Ferraz fuse type 14x51 size / max. rating	Overload relay type Klöckner-Moeller
Motor power	In motor (@ 400V)	two legs models 50A	with integrated DIN RAIL adaptor	two legs ambient =40°C		
0,75 kW	2A	SG969300 -SV969300	none	SW960330	am 8A/500V	Z00-2.4
1,1 kW	2,6A	SG969300 -SV969300	none	SW960330	am 8A/500V	Z00-6
1,5 kW	3,5A	SG969300 -SV969300	none	SW960330	am 12A/500V	Z00-6
2,2 kW	5A	SG969300 -SV969300	WF121000	SW961230	am 12A/500V	Z00-6
3 kW	6,6A	SG969300 -SV969300	WF121000	SW961230	am 12A/500V	Z00-10
4 kW	8,5A	SG969300 -SV969300	WF121000	SW961230	am 12A/500V	Z00-10

For motor > 4kW consult us : we have some solutions



www.celduc.com

5, Rue Ampère BP30004 42290 SORBIERS - FRANCE E-mail : celduc-relais@celduc.com
 Fax +33 (0) 4 77 53 85 51 Service Commercial France Tél. : +33 (0) 4 77 53 90 20
 Sales Dept. For Europe Tel. : +33 (0) 4 77 53 90 21 Sales Dept. Asia : Tél. +33 (0) 4 77 53 90 19