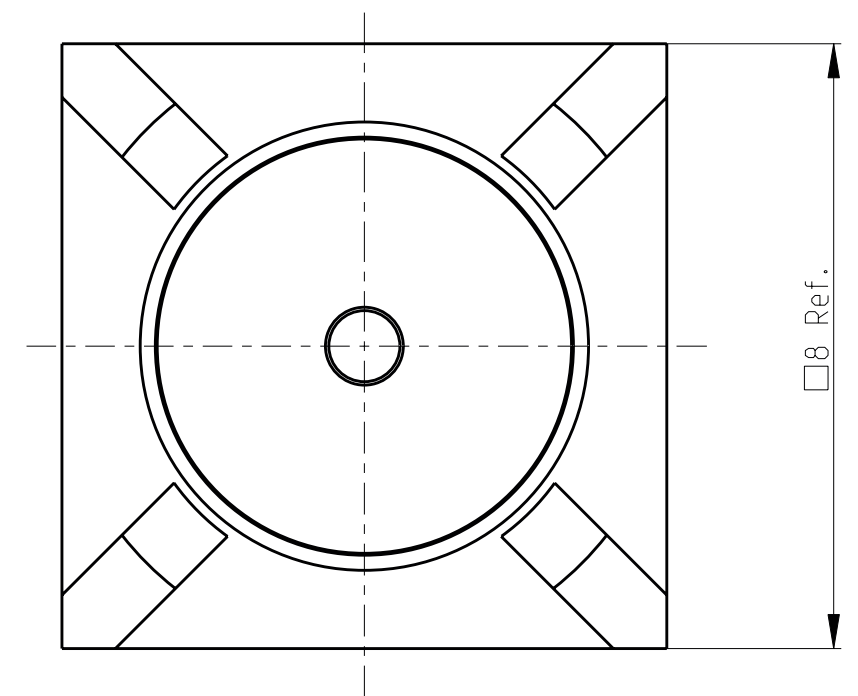
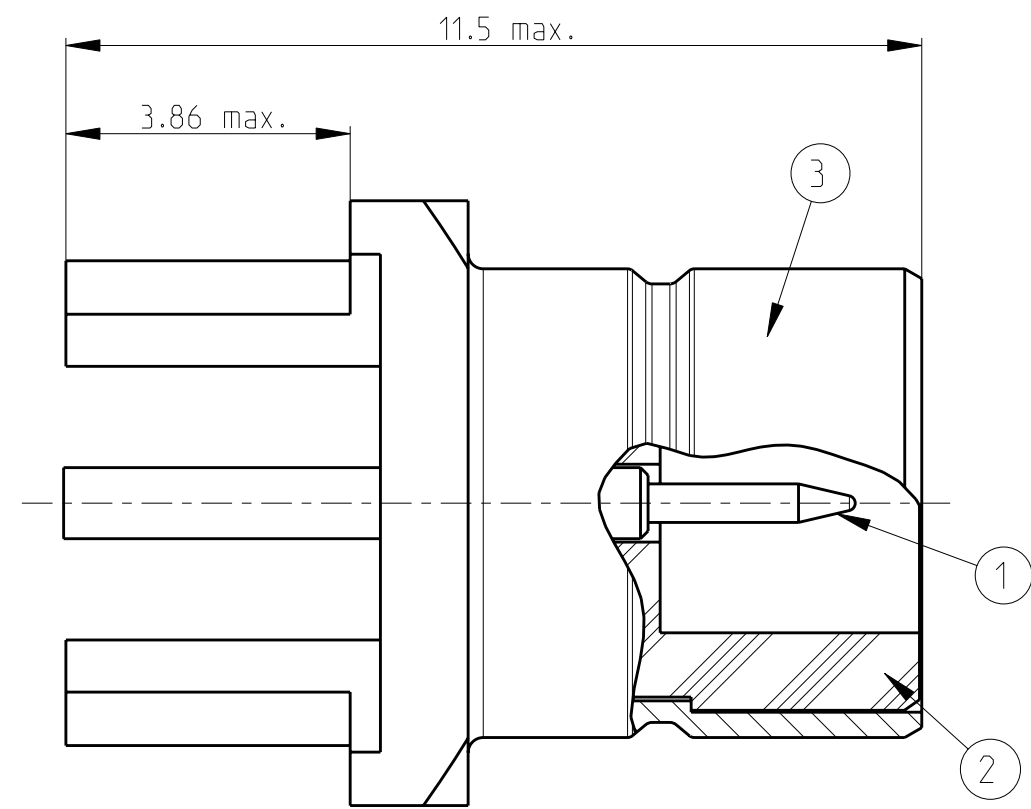
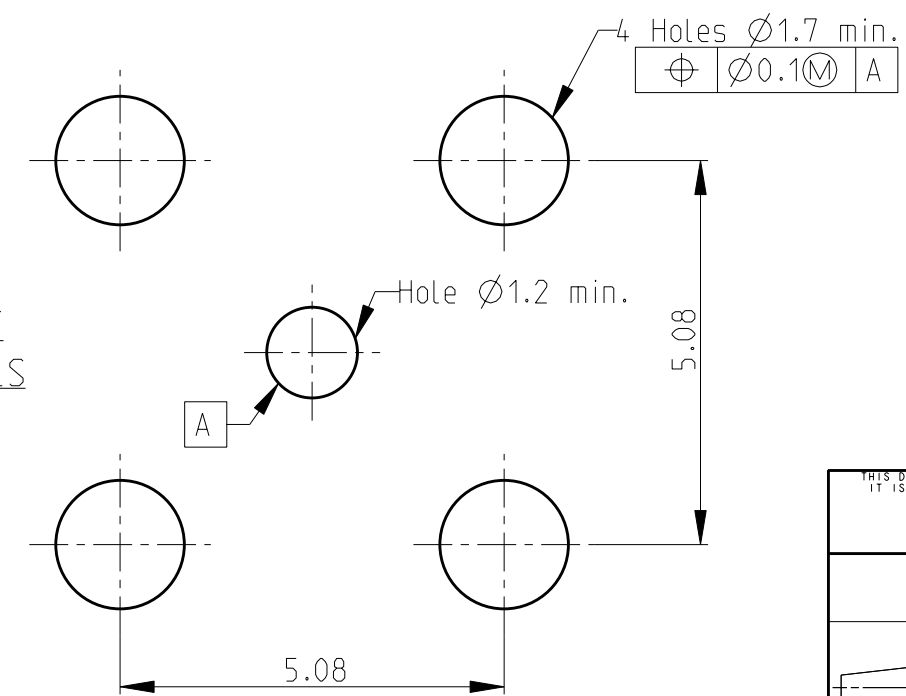


THIS DRAWING IS UNPUBLISHED. RELEASED FOR PUBLICATION  
 © COPYRIGHT - BY TYCO ELECTRONICS CORPORATION. ALL RIGHTS RESERVED.

LOC	DIST	REVISIONS				
P	LTR	DESCRIPTION	DATE	DWN	APVD	
IS	-	A	ECR-06-009279 (Redrawn parts)	18APR2006	AN	DB



- 1 Jack (pos. 1-3) packed in plastic bag from foil PN 1486591-2
- 2 10 Jacks (pos. 1-3) packed in plastic bag from foil PN 1486591-2  
10 plastic bags for each stripe  
20 stripes packed in carton box PN 973058-3
- 3 General tolerances according to ISO 2768-mH.



PRINTED CIRCUIT MOUNTING DETAILS

1	1311125-1	3	Body	Brass	min. 0.2 $\mu$ m Au over min. 2 $\mu$ m min. Nip	1	
2	1311125-2	2	Dielectric	PTFE	None	1	
		1	Center conductor	Brass	min. 0.2 $\mu$ m Au over min. 2 $\mu$ m min. Nip	1	
			Item	Description	Material	Plating	Qty

<small>THIS DRAWING IS A CONTROLLED DOCUMENT FOR TYCO ELECTRONICS CORPORATION. IT IS SUBJECT TO CHANGE AND THE CONTROLLING ENGINEERING ORGANIZATION SHOULD BE CONTACTED FOR THE LATEST REVISION.</small>		DWN 18APR2006 A. Nicolini		<b>tyco</b> <b>Electronics</b>		tyco Electronics CH - Switzerland - Lugano	
DIMENSIONS: mm		TOLERANCES UNLESS OTHERWISE SPECIFIED: 0 PLC $\pm$ 1 PLC $\pm$ 2 PLC $\pm$ 3 PLC $\pm$ 4 PLC $\pm$ ANGLES $\pm$		CHK 18APR2006 D. Bozzer		NAME BT43 Jack PCB Solder	
MATERIAL see table		FINISH see table		PRODUCT SPEC - APPLICATION SPEC - WEIGHT -		SIZE A3 CAGE CODE 00779 DRAWING NO. C-1311125	
CUSTOMER DRAWING				SCALE 10:1		SHEET 1 OF 1	
						RESTRICTED TO - REV A	