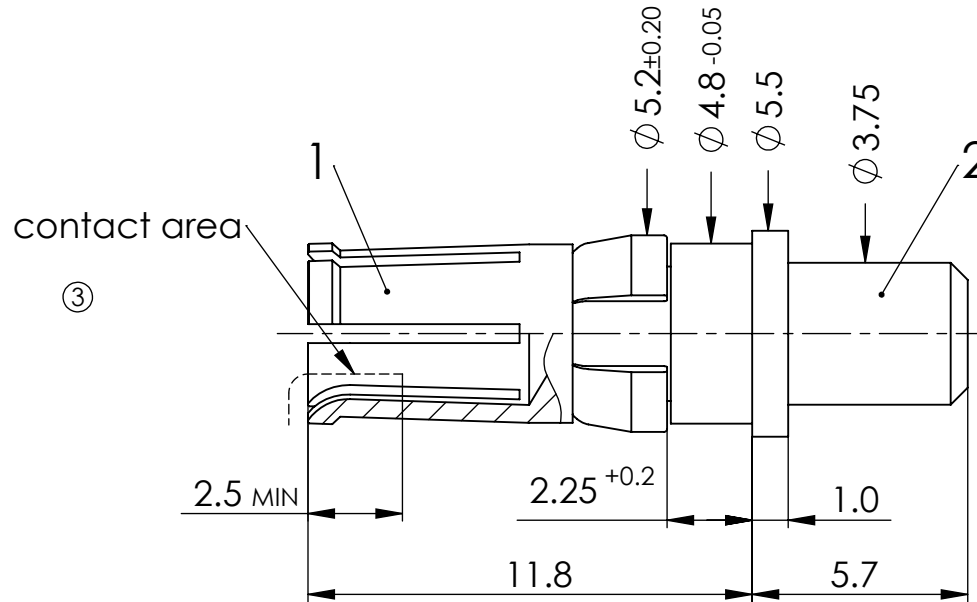
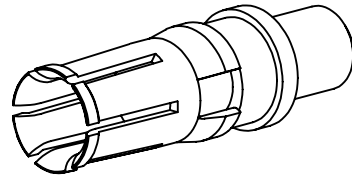


COMMENT:
 ALL RIGHTS ARE RESERVED BY US FOR THIS DRAWING. WITHOUT OUR PRIOR CONSENT,
 IT MAY NEITHER BE DUPLICATED NOR MADE AVAILABLE TO A THIRD PARTY,
 AND IT ALSO MAY NOT BE IMPROPERLY USED BY THE RECEIVER, OR A THIRD PARTY.



CURRENT		40 A		HIGH POWER CONTACT		SCALE 5:1		DATA SHEET		②	
FOR		D-Sub		DRAWN		NAME / DATE		PART NO.			
DIMENSIONS IN MM				CHECKED		MSteinbrück 25-08-2003		FMP016S		3	
MATERIAL + FINISH SEE EXTRA SHEET						MTeubel 16-08-2006		FCT		a molex company	
UNLESS OTHERWISE SPECIFIED DIMENSIONS FOR REFERENCE ONLY								REPLACEMENT FOR:		PAGE: 1/1	
3	19-09-2006	11399		ORIGINAL: DIN A4-DRAWING AS A FILE							
REV.	DATE	INDEX									