

"Stay Connected" with



Liquid Tight Conduit, Tubing & Fittings

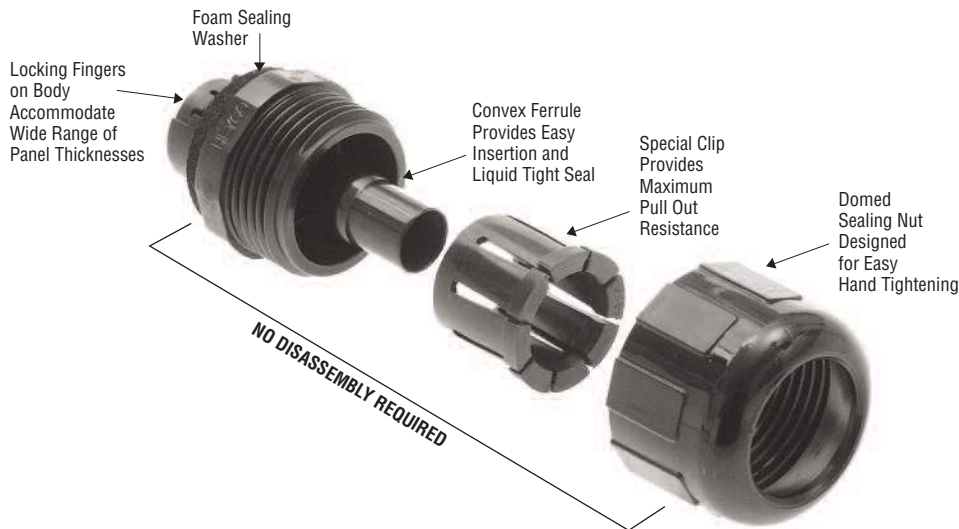
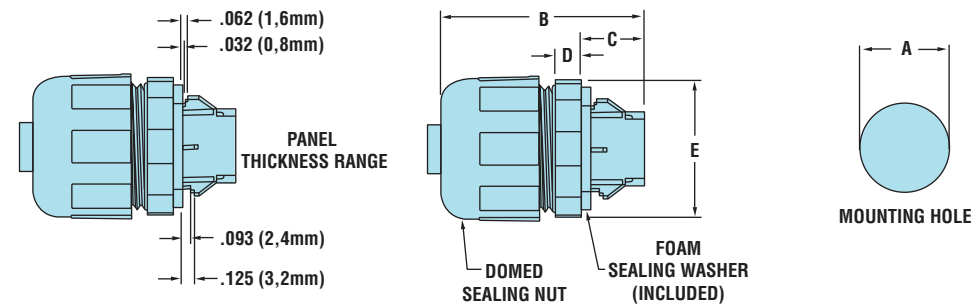
a PennEngineering® Company

## Heyco-Flex™ Liquid Tight Conduit Fittings

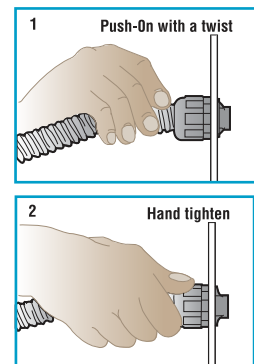
For Flexible, Nonmetallic Liquid Tight Heyco-Flex™ I Conduit and Heyco-Flex™ II Tubing  
Straight-Thru, Snap-In Hubs

FITS CONDUIT/ TUBING TRADE SIZE	PART NO.	DESCRIPTION	PART DIMENSIONS									
			A		B		C		D		E	
			Mounting Hole Dia.		Max O.A. Length		Body Length		Wrenching Nut Thk.		Flat Size	
			in.	mm.	in.	mm.	in.	mm.	in.	mm.	in.	mm.
1/4	8382	HFC 1/4-S	.500	12,7	1.50	38,1	.45	11,3	.22	5,6	.88	22,2
3/8	8384	HFC 3/8-S	.875	22,2	2.00	50,8	.63	15,9	.25	6,3	1.33	33,7
1/2	8386	HFC 1/2-S										
3/4	8388	HFC 3/4-S	1.090	27,7	2.03	51,6	.63	15,9	.25	6,3	1.56	39,7
1	8390	HFC 1-S	1.375	34,9	2.25	57,1	.78	19,8	.25	6,3	1.81	46,0

Standard color black.



- Assembly friendly! The installer simply pushes the conduit or tubing onto the ferrule, then tightens the domed sealing nut. This completed assembly can then be snapped into the panel with fingertip pressure.
- Convex ferrule ensures liquid tight seal.
- No threading of the conduit or tubing required to install. This eliminates the possibility of cutting the conduit and creating leak paths.
- Complete conduit/fitting system is reusable. Conduit will not wind tight onto the connector during assembly and can be easily removed by pulling while turning in a clockwise direction.
- Multiple sizes for use with Heyco-Flex Conduit and Tubing. See pages 2-7 and 2-8.
- Suitable for indoor/outdoor use; for original equipment manufacturers or field installers.
- Resist salt water, weak acids, gasoline, alcohol, oil, grease, and common solvents. (This feature is not assessed by UL certification or testing.)
- Foam sealing washer **included**.



Material	Nylon 6/6
Certifications	Listed under Underwriters' Laboratories File E28430 Certified by Canadian Standards Association File 84579 and 81067
Flammability Rating	94V-2
Temperature Range	-22°F (-30°C) to 221°F (105°C)
IP Rating	IP 68 up to 70 psi (5 bar) water pressure

Quick  
Specs