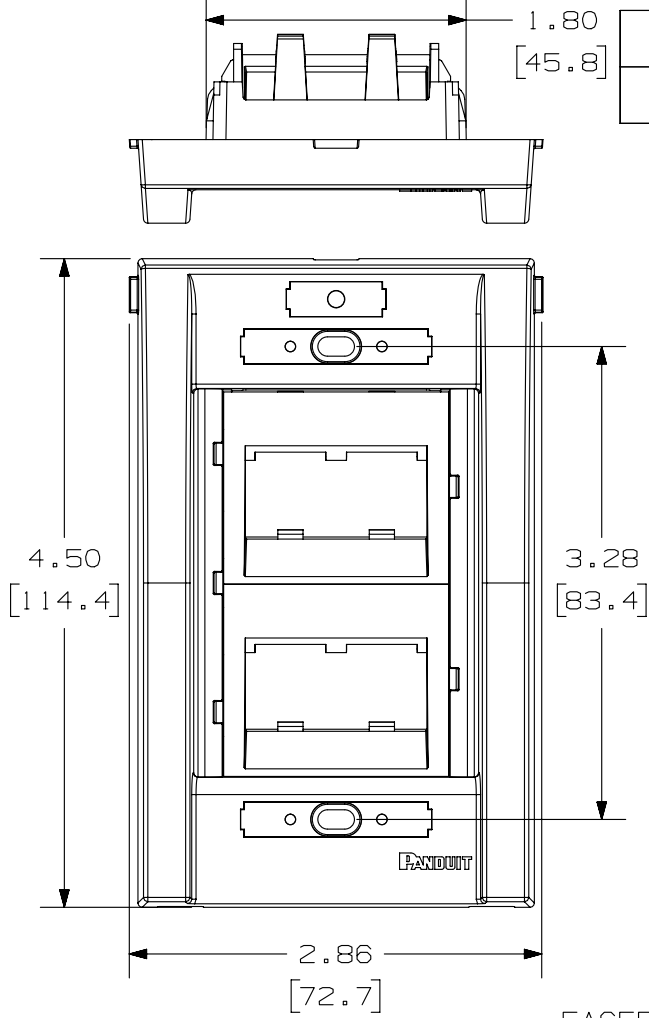
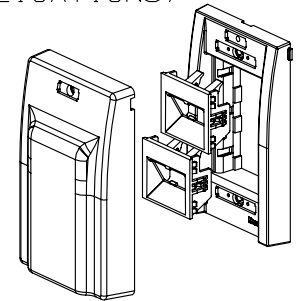


THIS COPY IS PROVIDED ON A RESTRICTED BASIS AND IS NOT TO BE USED IN ANY WAY DETRIMENTAL TO THE INTERESTS OF PANDUIT CORP.



PANDUIT P/N	WEIGHT
UICFPRTR4**	1.55 LB/10 PCS (704.0 g/10 PCS)

- NOTES:
- SEE CURRENT CATALOG FOR ADDITIONAL PART NUMBER SUFFIXES TO INDICATE COLOR AND OR PACKAGE QUANTITY.
  - SEE CATALOG FOR COMPLETE LIST OF PARTS APPLICABLE FOR USE WITH THIS PART.
  - DIMENSIONS IN [ ] ARE IN METRIC.
  - PART INCLUDES:
    - 1- FACEPLATE
    - 1- TAMPER RESISTANT COVER
    - 1- CLEAR SCREW COVER
    - 1- COLOR COORDINATED SCREW COVER
    - 2- CLEAR LABEL COVER
    - 2- MOUNTING SCREW
    - 2- 30° SLOPED RECESSED 1/2 INSERT (CHSRE2\*\*)
    - 1- TAMPER RESISTANT SCREW FOR COVER
    - 1- PHILLIPS HEAD SCREW FOR COVER
  - MOUNTING RECOMMENDATIONS:
    - MOUNT TO MWBA1 (OR EQUIVALENT) SINGLE GANG WALL BOARD ADAPTER
    - IF IN-WALL BOX IS USED, DEPTH MUST BE MIN. OF 2.125(53.98) (FOR COPPER APPLICATIONS)



PART NUMBER		UICFPRTR4**	
TITLE			
MINI-COM 4 POSITION ULTIMATE ID RECESSED FACEPLATE KIT WITH TAMPER RESISTANT COVER			
CUSTOMER DRAWING			
ITEM REVISION NAME		M01340AF/04	
DATASET FILE NAME		M01340AF_DC/04B	
UNLESS OTHERWISE SPECIFIED, DIMENSIONAL TOLERANCES ARE: IN [mm]		MATERIAL:	
.x ± .xxx ± .010 [ .3 ] .xx ± .03 [ .8 ]		ABS	
ANGLES ±		DRAWING NUMBER:	
THIRD ANGLE PROJECTION		01340-07	
DRAWN BY	DATE	CHK	SCALE
JSP	7-24-02	MJD	NONE
REV	DATE	BY	CHK
APR	DESCRIPTION		ECN
SHT 1 OF 1			A

REV	DATE	BY	CHK	APR	DESCRIPTION	ECN
1	5/22/14	JSP	REFR	MMR	A. REVISED DRAWING TITLE BLOCK.	01340-07
R	7-24-02	JSP	MJD	MJD	RELEASED TO PRODUCTION	01340-07

D10100DA/14