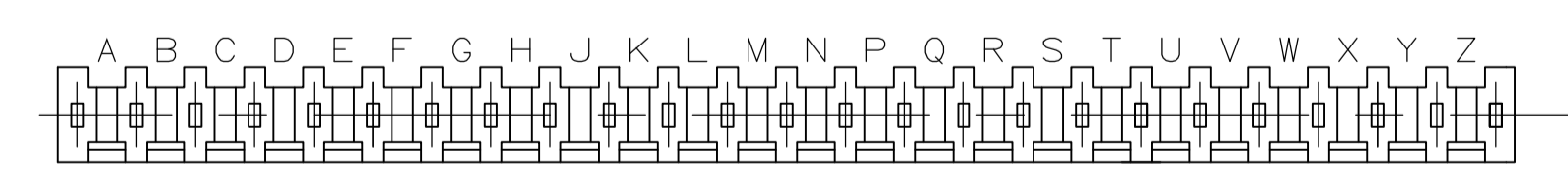
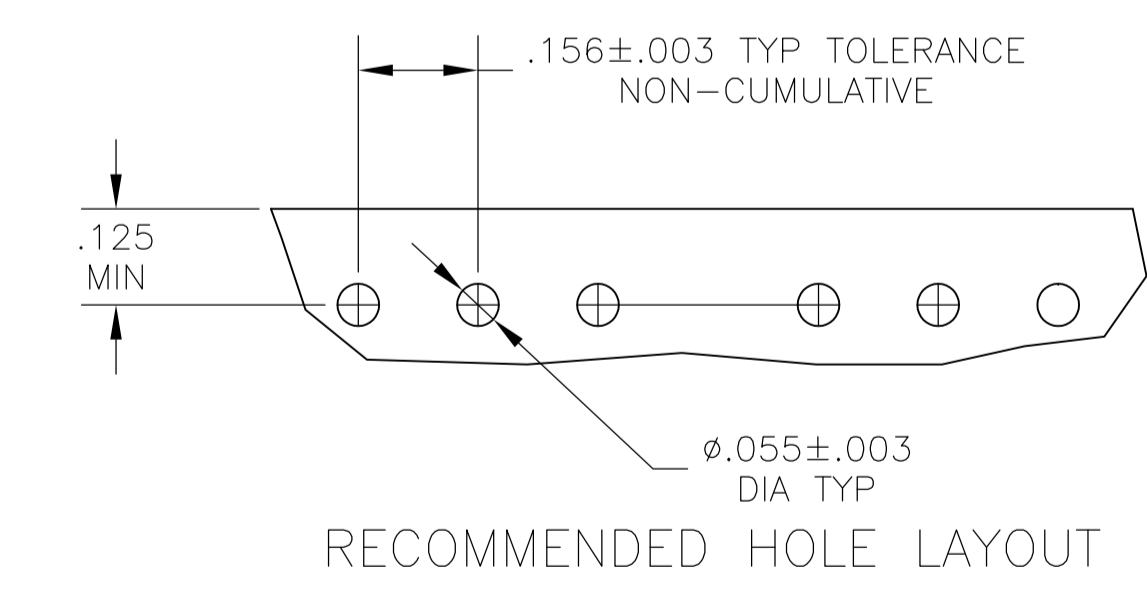
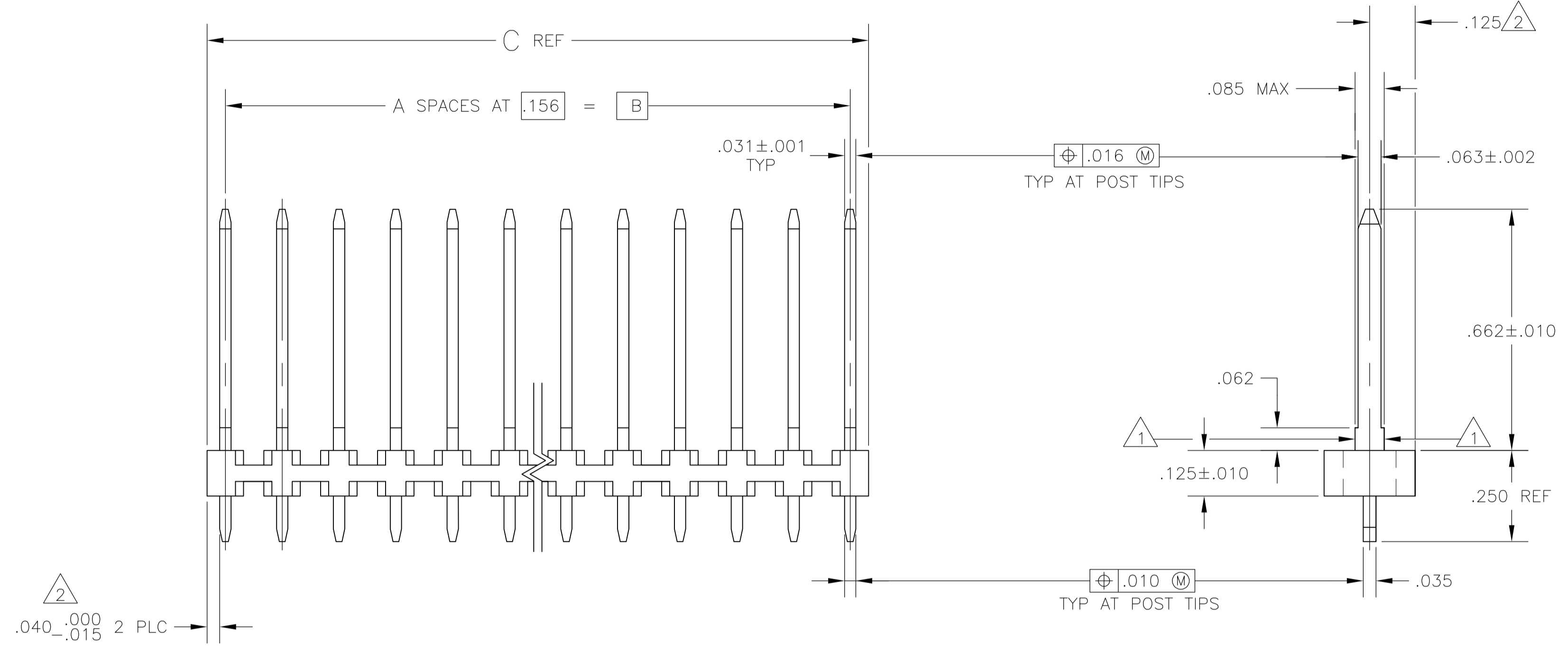


- 1 THESE SURFACES WILL NOT BE PLATED
- 2 THE NOTED DIMENSIONS APPLY AT THE INTERSECTION OF THE POST AND THE HOUSING
- 3 OBSOLETE PARTS: OBSOLETE CIS STREAMLINING PER D.RENAUD/D.SINISI



KEYWAY LOCATIONS (REF-SEE TABLE)  
(MATING LENGTH OF POST ON NEAR SIDE)  
SCALE: 2:1

OBSOLETE	NONE	0	5.415	5.304	34	35	3-86469-5
OBSOLETE	NONE	0	5.259	5.148	33	34	3-86469-4
OBSOLETE	NONE	0	5.103	4.992	32	33	3-86469-3
OBSOLETE	NONE	0	4.947	4.836	31	32	3-86469-2
OBSOLETE	NONE	0	4.791	4.680	30	31	3-86469-1
OBSOLETE	NONE	0	4.635	4.524	29	30	3-86469-0
OBSOLETE	NONE	0	4.479	4.368	28	29	2-86469-9
OBSOLETE	NONE	0	4.323	4.212	27	28	2-86469-8
OBSOLETE	NONE	0	4.167	4.056	26	27	2-86469-7
OBSOLETE	NONE	0	4.011	3.900	25	26	2-86469-6
3 OBSOLETE	A,C,E,H,K,M,Q,S,U,W,Y	11	3.855	3.744	24	25	2-86469-5
	A,C,E,G,J,L,N,Q,S,U,W,Y	12	3.699	3.588	23	24	2-86469-4
	A,D,G,K,N,R,U,X	8	3.543	3.432	22	23	2-86469-3
	A,C,E,G,J,L,N,Q,S,U,W	11	3.387	3.276	21	22	2-86469-2
	A,D,G,K,N,R,U	7	3.231	3.120	20	21	2-86469-1
	A,C,E,G,J,L,N,Q,S,U	10	3.075	2.964	19	20	2-86469-0
	B,D,F,J,L,N,Q,S	8	2.919	2.808	18	19	1-86469-9
	A,D,F,J,M,P,S	7	2.763	2.652	17	18	1-86469-8
	A,D,G,K,N,R	6	2.607	2.496	16	17	1-86469-7
	A,C,E,G,J,L,N,Q	8	2.451	2.340	15	16	1-86469-6
	A,D,G,K,N	5	2.295	2.184	14	15	1-86469-5
	A,C,E,G,J,L,N	7	2.139	2.028	13	14	1-86469-4
	A,D,J,M	4	1.983	1.872	12	13	1-86469-3
	A,C,E,G,J,L	6	1.827	1.716	11	12	1-86469-2
	A,D,G,K	4	1.671	1.560	10	11	1-86469-1
	A,C,E,G,J	5	1.515	1.404	9	10	1-86469-0
	A,D,G	3	1.359	1.248	8	9	86469-9
	A,C,E,G	4	1.203	1.092	7	8	86469-8
	A,C,E	3	1.047	.936	6	7	86469-7
	A,C,E	3	.891	.780	5	6	86469-6
A,D	2	.735	.624	4	5	86469-5	
A,C	2	.579	.468	3	4	86469-4	
A	1	.423	.312	2	3	86469-3	
A	1	.267	.156	1	2	86469-2	
NONE	0	.111	-	1	1	86469-1	

MATERIAL HOUSING-FLAME RETARDANT THERMOPLASTIC, COLOR - BLACK	THIS DRAWING IS A CONTROLLED DOCUMENT.	DIN H. MOLL 04FEB88	tyco Electronics	Tyco Electronics Corporation Harrisburg, Pa 17105-3608
POSTS-BRASS	DIMENSIONS: INCHES	TOLERANCES UNLESS OTHERWISE SPECIFIED: 0 PLC ± - 1 PLC ± - 2 PLC ± - 3 PLC ± .005 4 PLC ± - ANGLES ± -	ED TREECE 04FEB88	NAME
FINISH POSTS: .000030 GOLD IN CONTACT AREA GOLD FLASH ON REMAINDER OF POST ALL OVER .000050 NICKEL	MATERIAL	FINISH	PRODUCT SPEC 108-25016	APPLICATION SPEC
			SIZE A1	CAGE CODE -
			DRAWING NO 86469	RESTRICTED TO
			WEIGHT	SCALE 4:1 SHEET 1 OF 1 REV Z1
			CUSTOMER DRAWING	