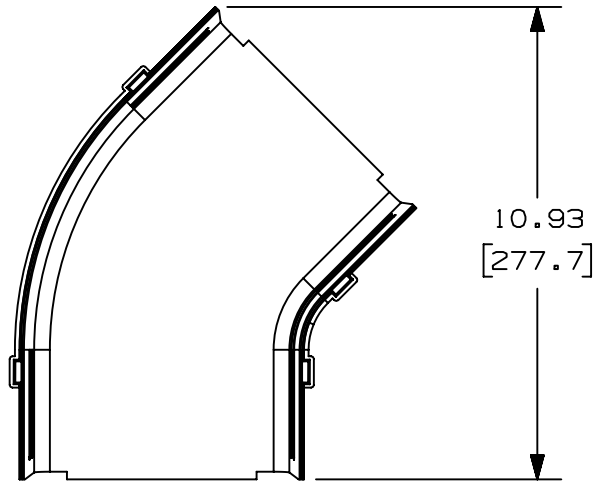


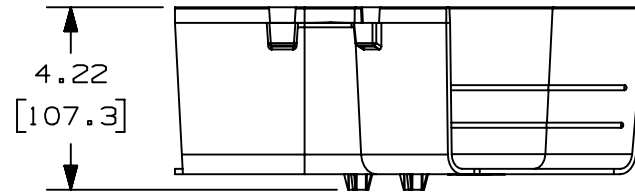
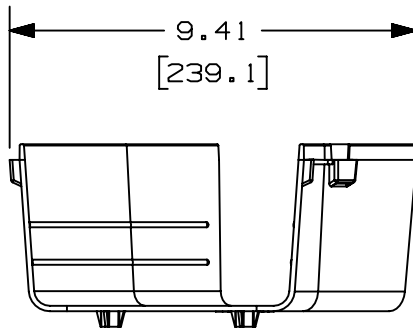
THIS COPY IS PROVIDED ON A RESTRICTED BASIS AND IS NOT TO BE USED IN ANY WAY DETRIMENTAL TO THE INTERESTS OF PANDUIT CORP.

NOTES:

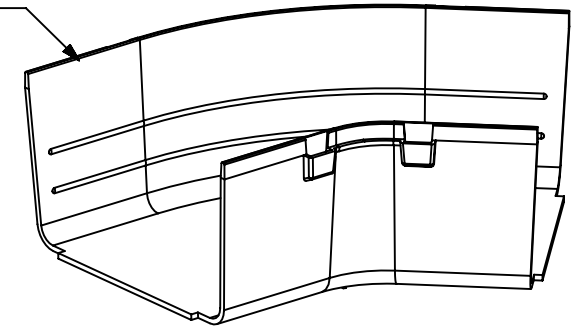
1. SEE CURRENT CATALOG FOR ADDITIONAL PART SUFFIXES TO INDICATE COLOR AND/OR PACKAGE QUANTITY.
2. THE FIBERRUNNER 6x4 HORIZONTAL 45° ANGLE FITTING IS DESIGNED WITH A MINIMUM 2" (50.8) BEND RADIUS TO PROTECT FIBER OPTIC CABLES.
3. DIMENSIONS IN PARENTHESES ARE IN METRIC.
4. PARTS SUPPLIED:
(1)- 45° HORIZONTAL ANGLE



PANDUIT PART NUMBER	WEIGHT	MATERIAL
FRH456X4**	0.69 LB/EACH (314g/EACH)	ABS
FRH456X4L**	0.69 LB/EACH (314g/EACH)	PC/ABS



45° HORIZONTAL ANGLE



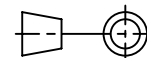
TITLE
**FIBERRUNNER 6x4 HORIZONTAL 45° ANGLE FITTING
(FRH456X4**, FRH456X4L**)**

ITEM REVISION NAME
D37686BF/03

DATASET FILE NAME
D37686BF_DC/03B

PANDUIT

MATERIAL:
**SEE PART NUMBER
TABLE ABOVE**



THIRD ANGLE
PROJECTION

DRAWING NUMBER:
37686-05

REV	DATE	BY	CHK	APR	DESCRIPTION	ECN
03B	8/21/20	MEX-JAGC	DWR	DWR	ADDED PART NUMBER	V09002DZ/11

DRAWN BY JHNU	DATE 8-18-00	CHK HIW	SCALE NONE	SHT 1 OF 1	SIZE A
-------------------------	------------------------	-------------------	----------------------	------------	------------------

D10.100DA/20