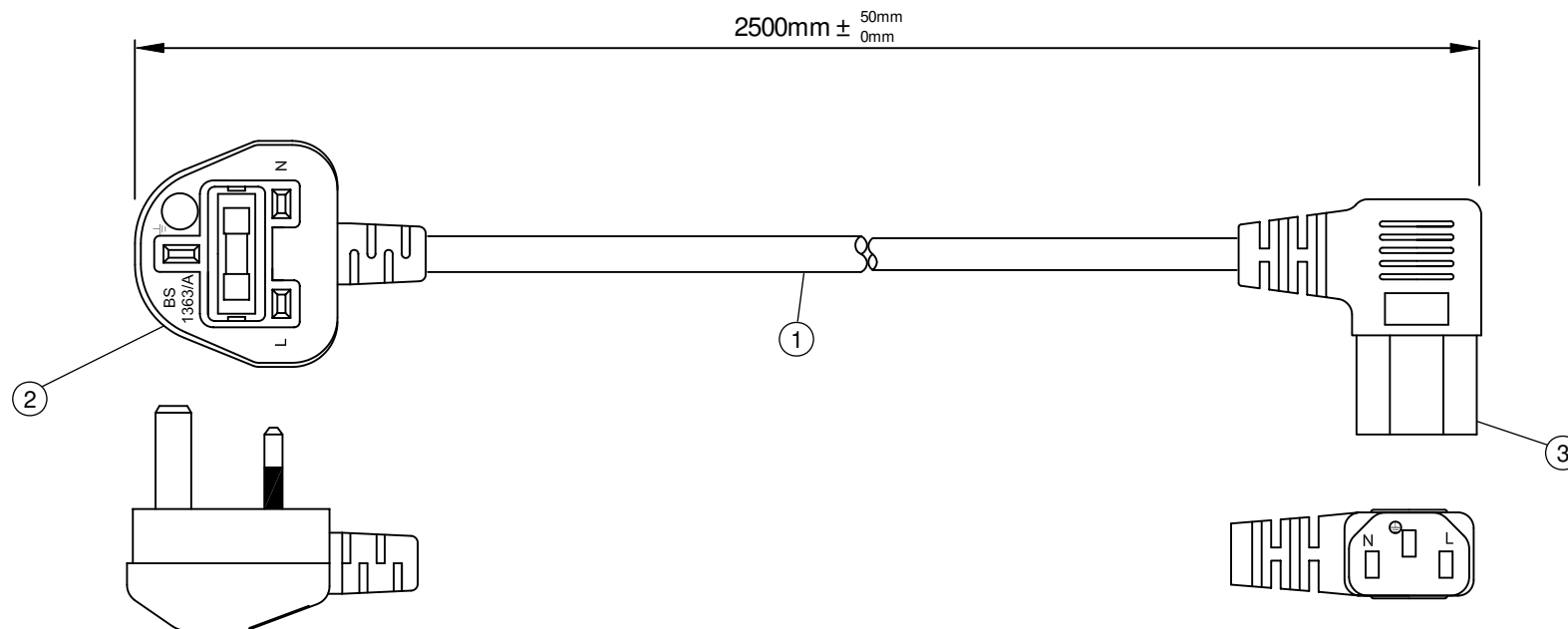


THESE DRAWINGS ARE THE PROPERTY OF QUALTEK ELECTRONICS AND NOT TO BE REPRODUCED FOR OR COMMUNICATED TO A THIRD PARTY WITHOUT THE EXPRESS WRITTEN PERMISSION OF AN OFFICER OF QUALTEK ELECTRONICS.

REVISION			
REV.	DESCRIPTION	DATE	APPROVED



NOTES:

1. CORDAGE: H05VV-F, 3x1.00mm² UNSHIELDED CEE COLOR CODE, TEMP. RATING: 70°C, RATING: 250V 10A, JACKET COLOR: BLACK
2. PLUG: BS1363/A WITH 13A FUSE
3. CONNECTOR: IEC 60320 C13 RIGHT ANGLED
4. APPROVALS:
 PLUG: BSI
 CONNECTOR: VDE
5. ROHS COMPLIANT

CONTROLLED

Dim range (mm)	Tolerance +/- (mm)	Qualtek Electronics Corp. PPC DIVISION		
0-1	0.15	Part Number: 370026-01		RoHS Compliant
1-6	0.20	Description: POWER CORD		
6-18	0.30			
18-50	0.50	UNIT: mm		
50-120	0.70	Drawn / Date	Checked / Date	Approved / Date
120-250	0.90	RNuti 10-08-20	10-08-20	LY / 10-08-20
250-500	1.20			