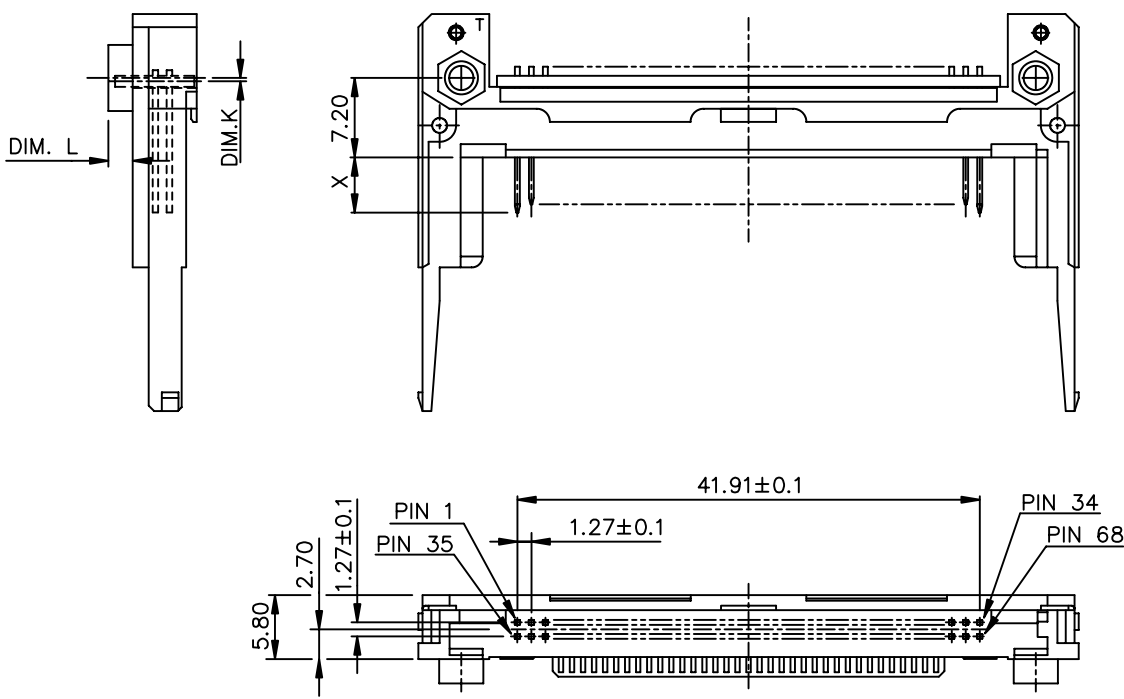


Tous droits strictement réservés. Reproduction ou communication à des tiers sans autorisation écrite du propriétaire. Droits de reproduction BERG ELECTRONICS by

All rights strictly reserved. Reproduction or issue to third parties in any form without written authority from the proprietor. Copyright BERG ELECTRONICS by



61127- □ □ □ □ □ □

- LF: LEAD FREE
- B: FOR BOSCH-TELECOM
- N: FOR CANON
- V: FOR VALLEY GREEN
- C: FOR CISCO
- STAND-OFF 00 : 0.0 mm
- 20 : 2.0 mm
- 22 : 2.2 mm
- 30 : 3.0 mm
- 40 : 4.0 mm
- 43 : 4.3 mm
- 50 : 5.0 mm
- UPPER DECK : 5
- LOWER DECK : 0
- TOP MOUNT : 0
- BOTTOM MOUNT : 5

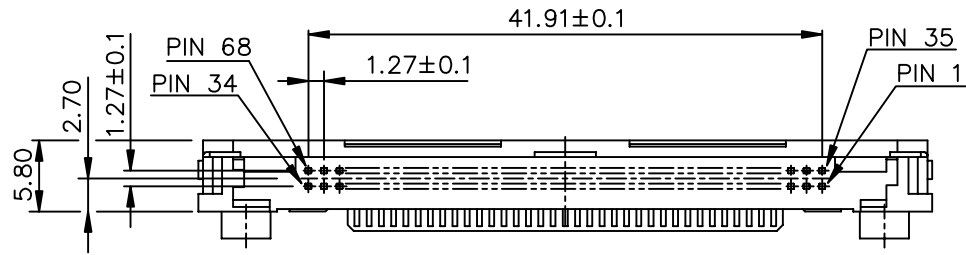
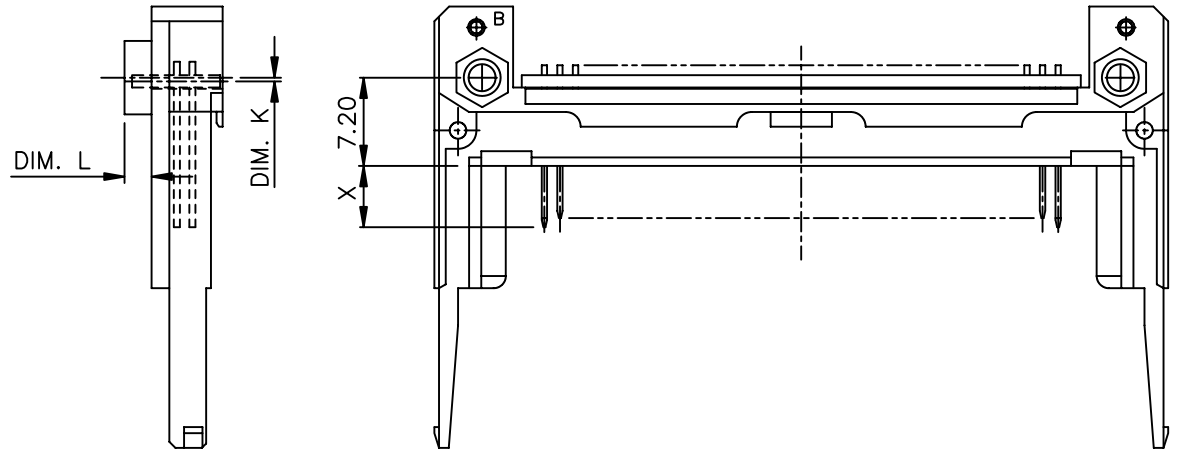
DIM"X"			
PIN NUMBER	4.25±0.1	3.5±0.1	5.0±0.1
	OTHERS		36,67

61127-0522C/0522CLF	0	6.55
61127-0543C/0543CLF	0	6.55
61127-0550C/0550CLF	0	6.55
61127-0043C/0043CLF	4.3	-0.3
61127-0050C/0050CLF	5	-0.3
61127-0022C/0022CLF	2.2	-0.3
61127-0022B/0022BLF	2.2	-0.3
61127-0022/0022LF	2.2	-0.3
61127-0522/0522LF	0	6.55
61127-0543/0543LF	0	6.55
61127-0550/0550LF	0	6.55
61127-0500/0500LF	0	10.0
61127-0100/0100LF	0	2.15
61127-0050N/0050NLF	5	-0.3
61127-0043/0043LF	4.3	-0.3
61127-0050/0050LF	5	-0.3
61127-0022V/0022VLF	2.2	2.15
PRODUCT NO.	DIM.L	DIM.K±0.20

mat'l code		tolerance unless otherwise specified		CUSTOMER COPY		FCI		www.fciconnect.com	
rev.	ecn no.	dr	date	linear	±0.30	projection	title 3.3V EJECTOR HEADER ASS'Y (ABOVE BOARD)		
J	N04-0030	P	H 07/21/04				product family PCMCIA code		
K	N05-0140	W	B 05/31/05				size	dwg no. 61127	
D	T00131	W	L 05/02/00	angles	± 2°	scale	A3 1 of 5		
E	T10263	W	L 10/16/01	dr	WENDY CHEN 07/11/95	unit	sheet 1 of 5		
F	T10321	W	L 11/16/01	enr	L.W. LU 07/11/95	mm/inch			
G	T20036	W	L 01/30/02	chr	JOSEPH HSIA 07/11/95	2:1			
H	T03-0216	W	L 06/09/03	appd	JENN TSAO 07/11/95				
sheet	revision	K	J	K	J	J			
index	sheet	1	2	3	4	5			

Tous droits strictement réservés. Reproduction ou communication à des tiers sans autorisation écrite du propriétaire.
 Droits de reproduction BERG ELECTRONICS by

All rights strictly reserved. Reproduction or issue to third parties in any form without written authority from the proprietor.
 Copyright BERG ELECTRONICS by

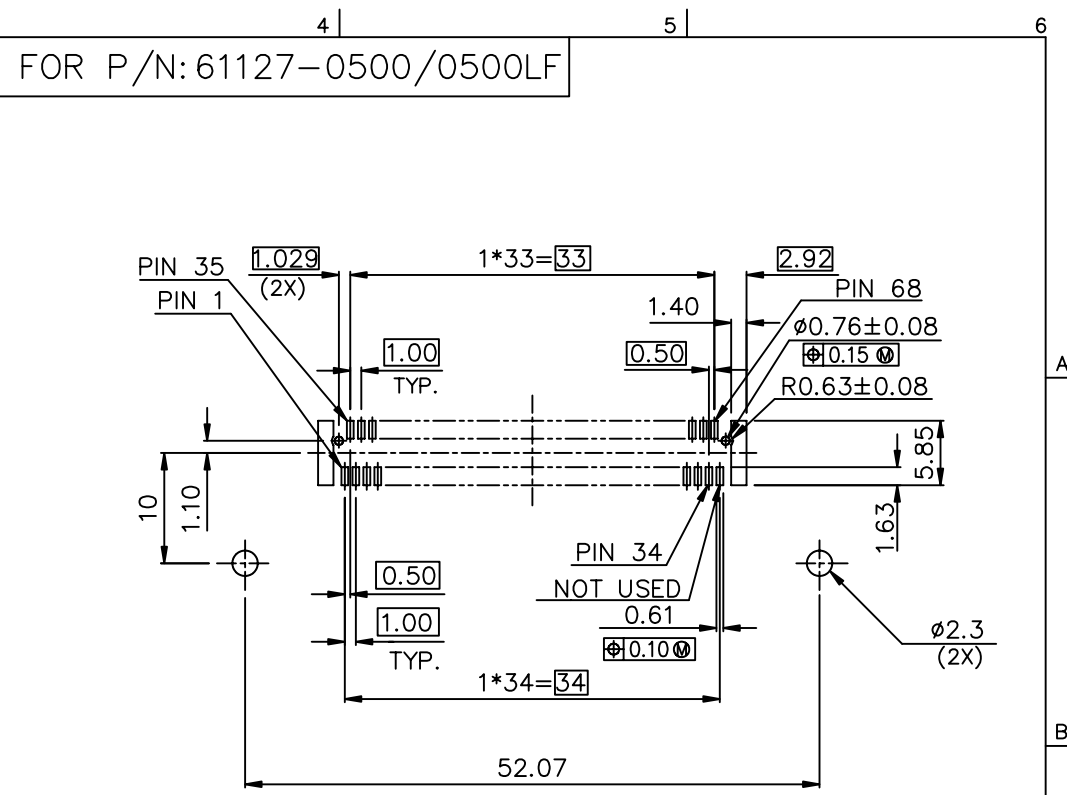
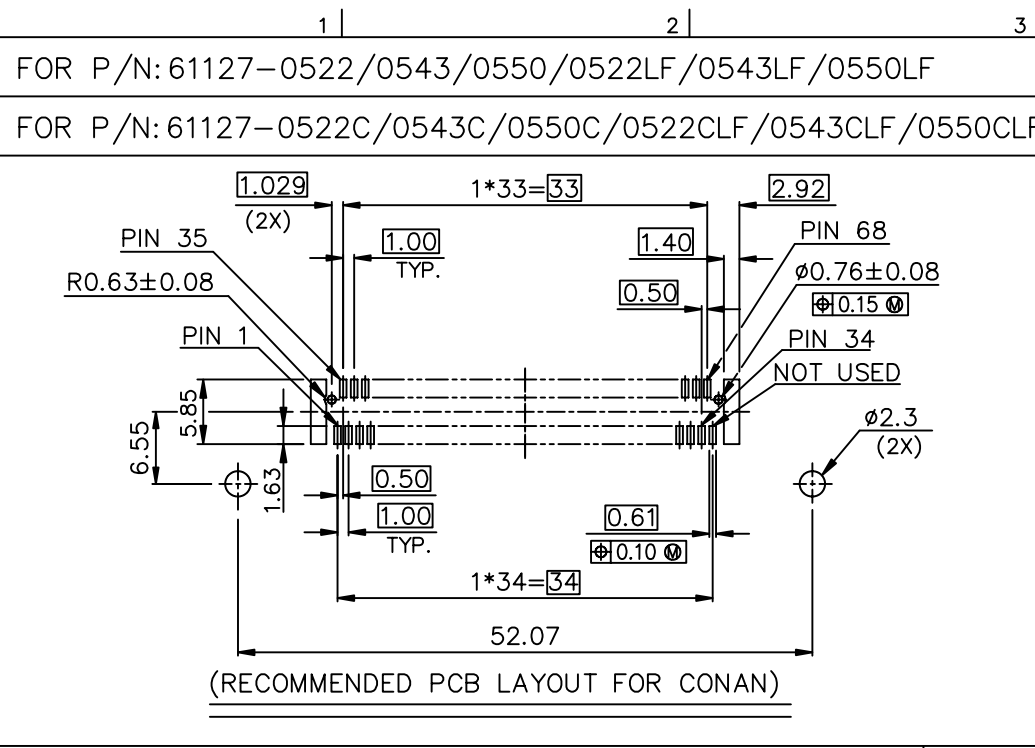


DIM"X"			
PIN NUMBER	4.25±0.1	3.5±0.1	5.0±0.1
	OTHERS	36,67	1,17,34 35,51,68

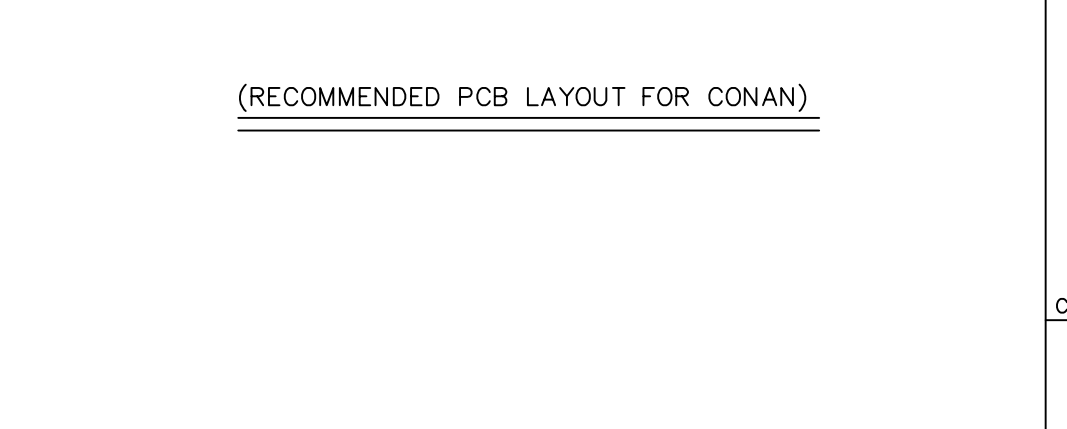
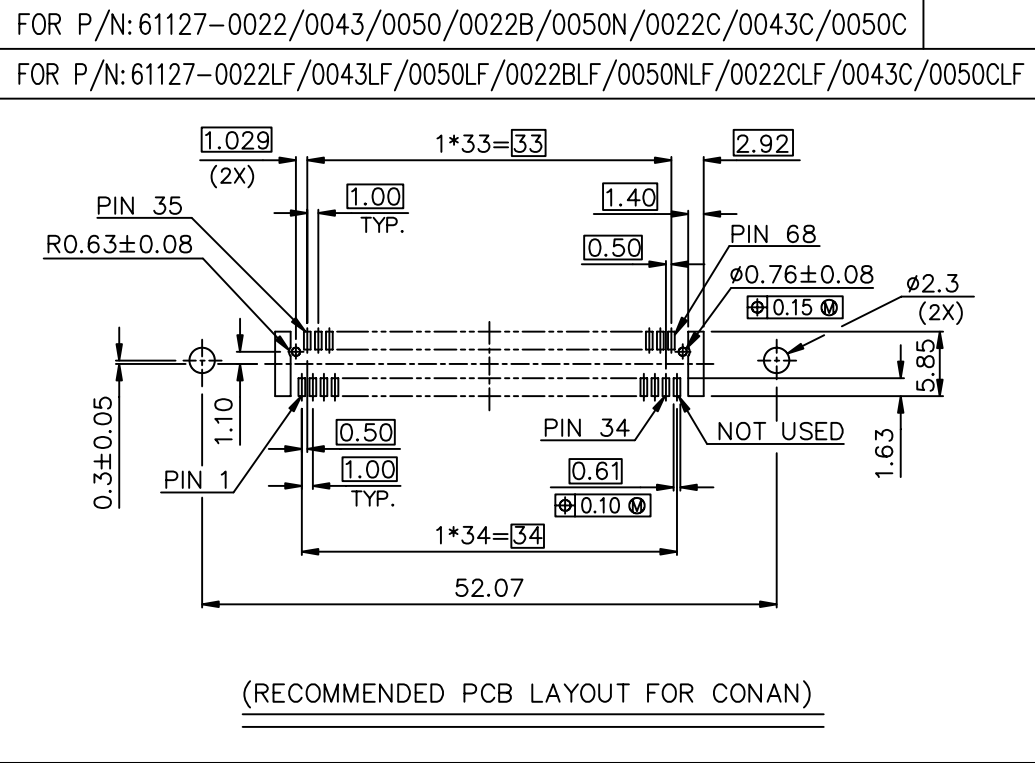
61127-5022/5022LF	2.2	-0.3
61127-5522/5522LF	0	6.55
61127-5543/5543LF	0	6.55
61127-5550/5550LF	0	6.55
61127-5500/5500LF	0	10.0
61127-5043/5043LF	4.3	-0.3
61127-5050/5050LF	5	-0.3
PRODUCT NO.	DIM.L	DIM.K±0.20

mat'l code		tolerance unless otherwise specified		CUSTOMER COPY		 www.fciconnect.com	
rev.	ecn no.	dr	date	linear	±0.30	projection	 title 68POS. EJECTOR HEADER HEADER ASS'Y
J				angles	± 2°		
				dr	WENDY CHEN 10/16/01	unit	product family PCMDA code size dwg no.
				enr	MINERVA WANG 10/16/01	mm/inch	
				chr	MINERVA WANG 10/16/01	scale	A3 61127 sheet 2 of
				appd	JENN TSAO 10/16/01	2:1	
sheet index	revision sheet						

Tous droits strictement réservés. Reproduction ou communication à des tiers sans autorisation écrite du propriétaire.
 Droits de reproduction BERG ELECTRONICS by



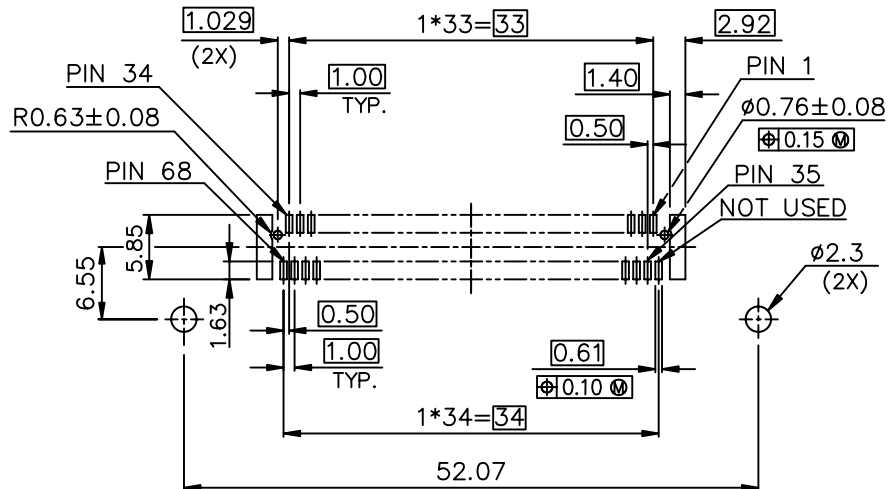
All rights strictly reserved. Reproduction or issue to third parties in any form without written authority from the proprietor.
 Copyright BERG ELECTRONICS by



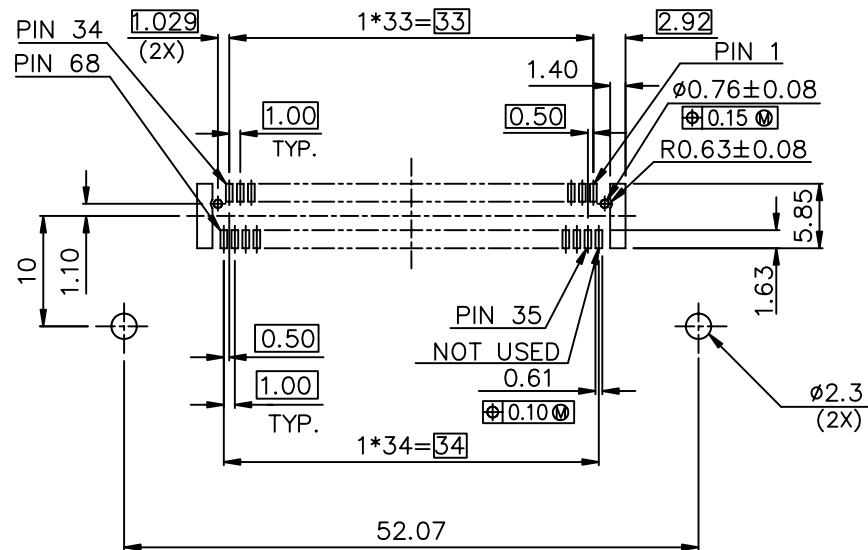
mat'l code		tolerance unless otherwise specified		CUSTOMER COPY		FCI		www.fciconnect.com	
rev.	ecn no.	dr	date	linear	±0.10	projection	title 68POS. EJECTOR HEADER HEADER ASS'Y		
K				angles	± 2°				
		dr	WENDY CHEN 05/02/00	unit	mm/inch	product family		PMGIA	code
		enr	JOSEPH HSIA 05/02/00	size	dwg no.	61127		sheet 3 of	
		chr	JOSEPH HSIA 05/02/00	scale	2:1	A3			
		appd	JOSEPH HSIA 05/02/00						
sheet index	revision sheet								

FOR P/N: 61127-5522/5543/5550/5522LF/5543LF/5550LF

FOR P/N: 61127-5500/5500LF

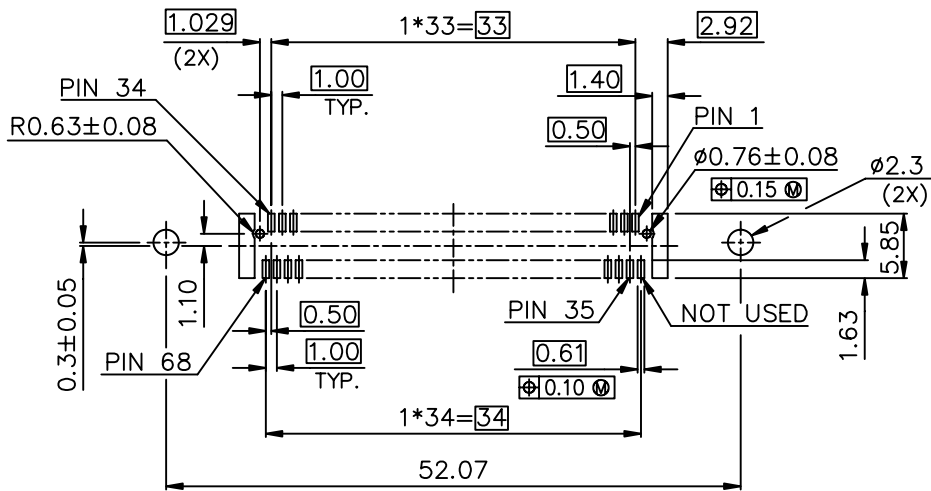


(RECOMMENDED PCB LAYOUT FOR CONAN)


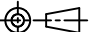


(RECOMMENDED PCB LAYOUT FOR CONAN)

FOR P/N: 61127-5022/5043/5050/5022LF/5043LF/5050LF



(RECOMMENDED PCB LAYOUT FOR CONAN)

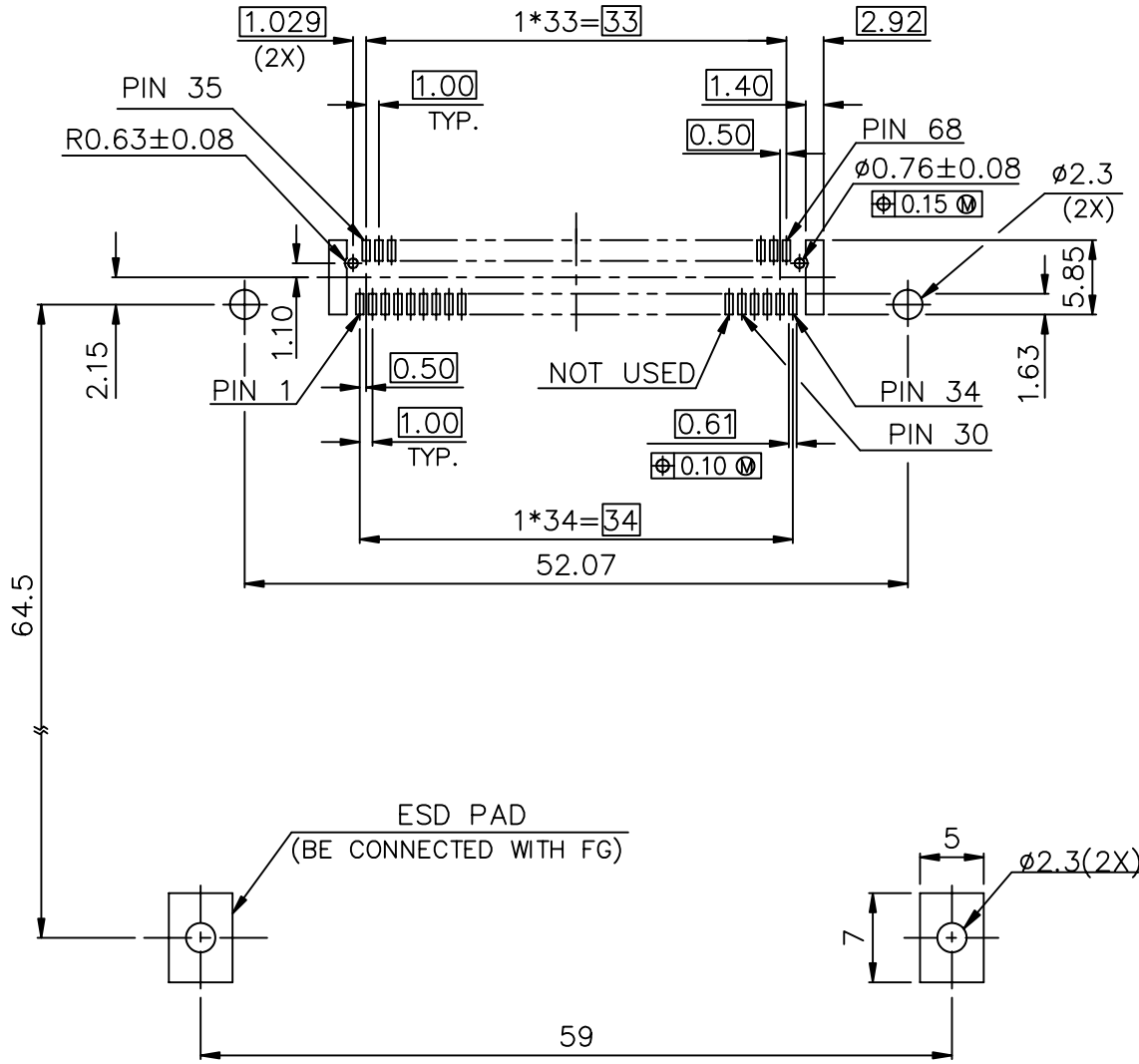
mat'l code		tolerance unless otherwise specified		CUSTOMER COPY		 www.fciconnect.com	
rev.	ecn no.	dr	date	linear	±0.10	projection	title
J				angles	± 2°		68POS. EJECTOR HEADER HEADER ASS'Y
		dr	WENDY CHEN 05/02/00	unit	mm/inch	product family	PCMCIA
		enr	JOSEPH HSIA 05/02/00	size	dwg no.	code	
		chr	JOSEPH HSIA 05/02/00	scale	2:1	61127	sheet 4 of 4
		appd	JOSEPH HSIA 05/02/00				
sheet index	revision						

Tous droits strictement réservés. Reproduction ou communication à des tiers sans autorisation écrite du propriétaire. Droits de reproduction BERG ELECTRONICS by

All rights strictly reserved. Reproduction or issue to third parties in any form without written authority from the proprietor. Copyright BERG ELECTRONICS by



FOR P/N: 61127-0022V/0022VLF



Tous droits strictement réservés. Reproduction ou communication à des tiers interdite sans autorisation écrite du propriétaire. BERG ELECTRONICS propriété de BERG ELECTRONICS. Droits de reproduction BERG ELECTRONICS by

All rights strictly reserved. Reproduction or issue to third parties in any form or by any means without written authority from the proprietor. BERG ELECTRONICS is not responsible for any damage or loss of data. Copyright BERG ELECTRONICS by



mat'l code		tolerance unless otherwise specified		CUSTOMER COPY		 www.fciconnect.com	
rev.	ecn no.	dr	date	linear	±0.1	projection	title
J				angles			68POS. EJECTOR HEADER HEADER ASS'Y
		dr	WENDY CHEN	01/30/02	unit	product family	PCMCIA
		enr	MINERVA WANG	01/30/02	mm/inch	code	
		chr	MINERVA WANG	01/30/02	scale	size	dwg no.
		appd	JENN TSAO	01/30/02		A3	61127
sheet	revision						sheet
index	sheet						5 of