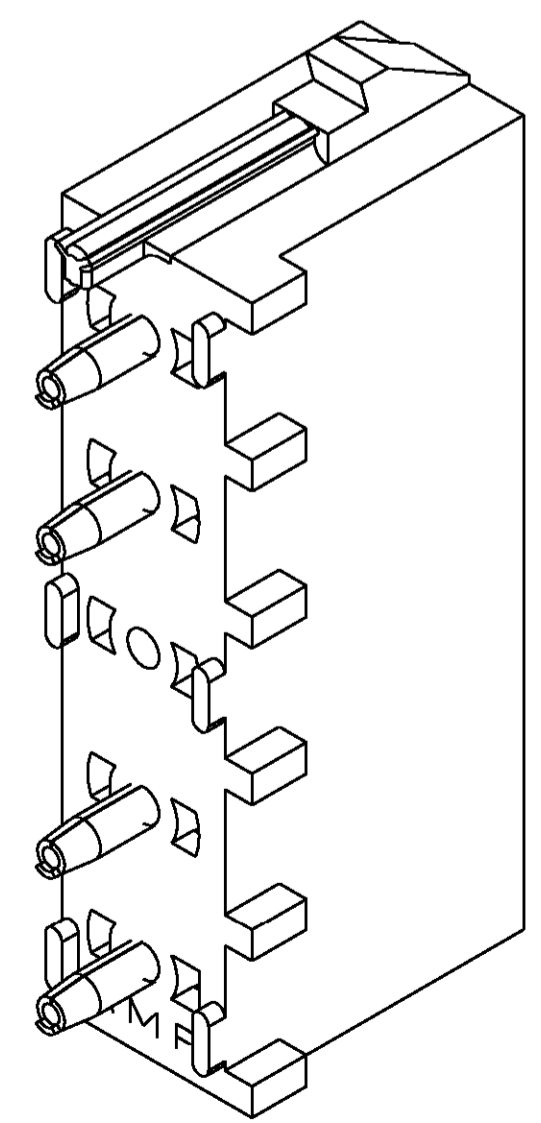
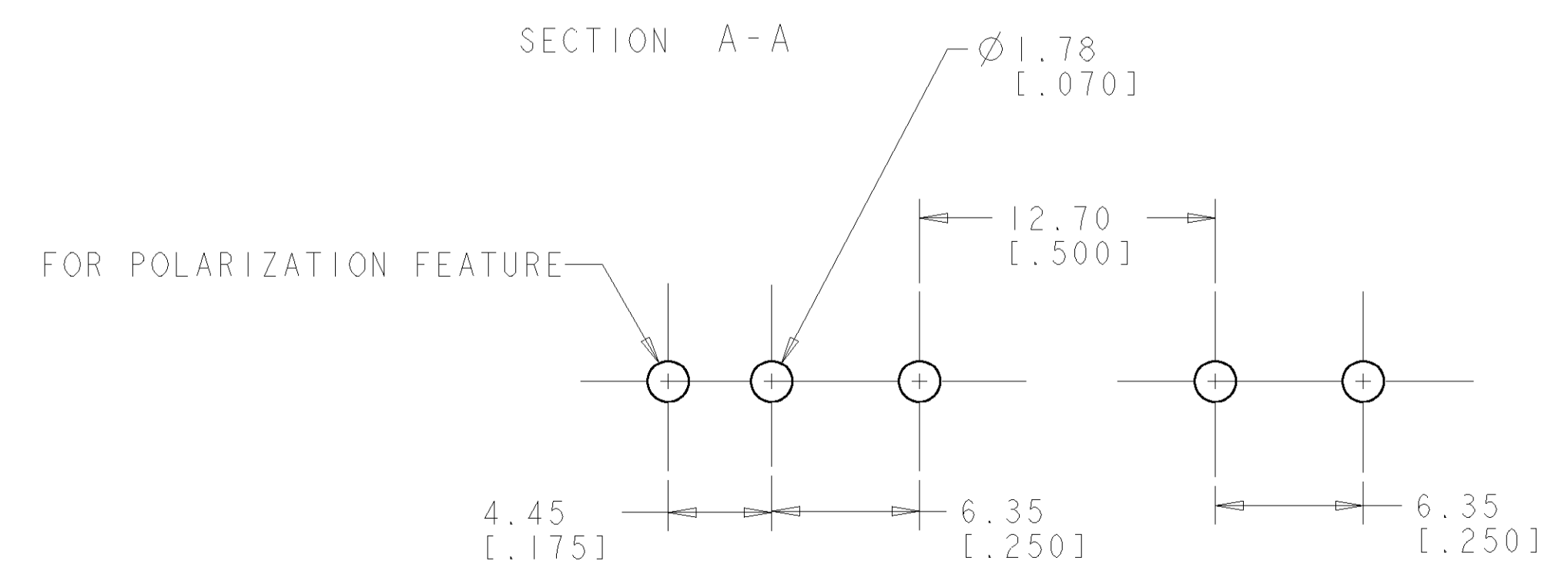
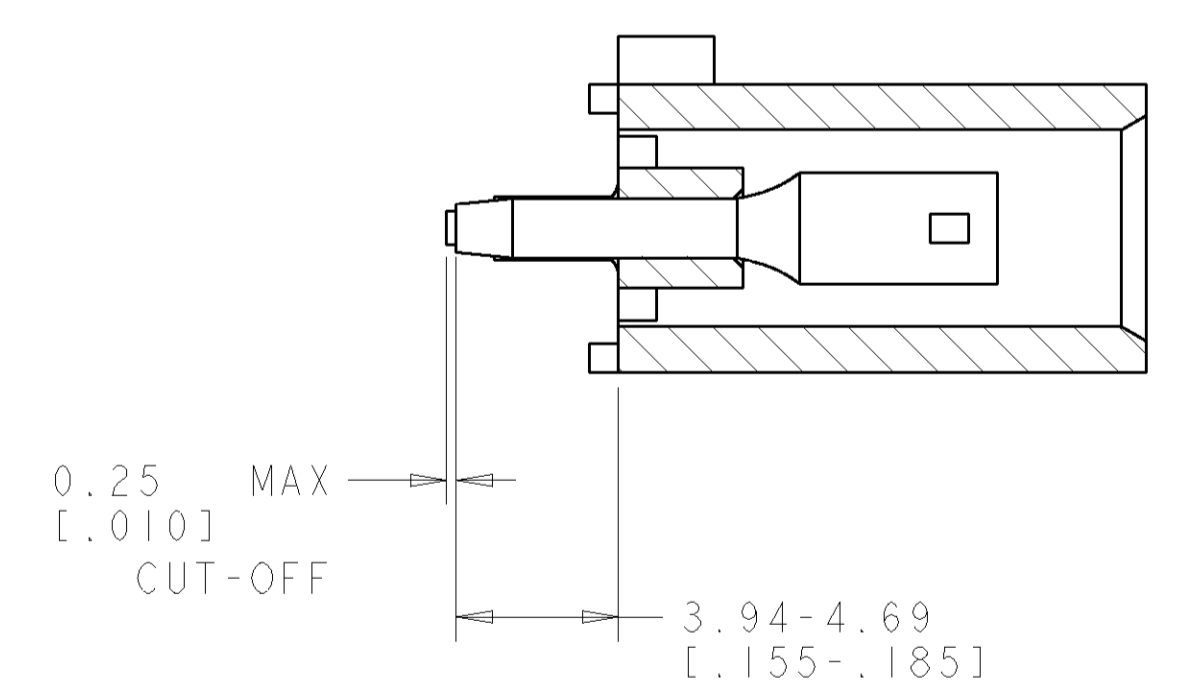
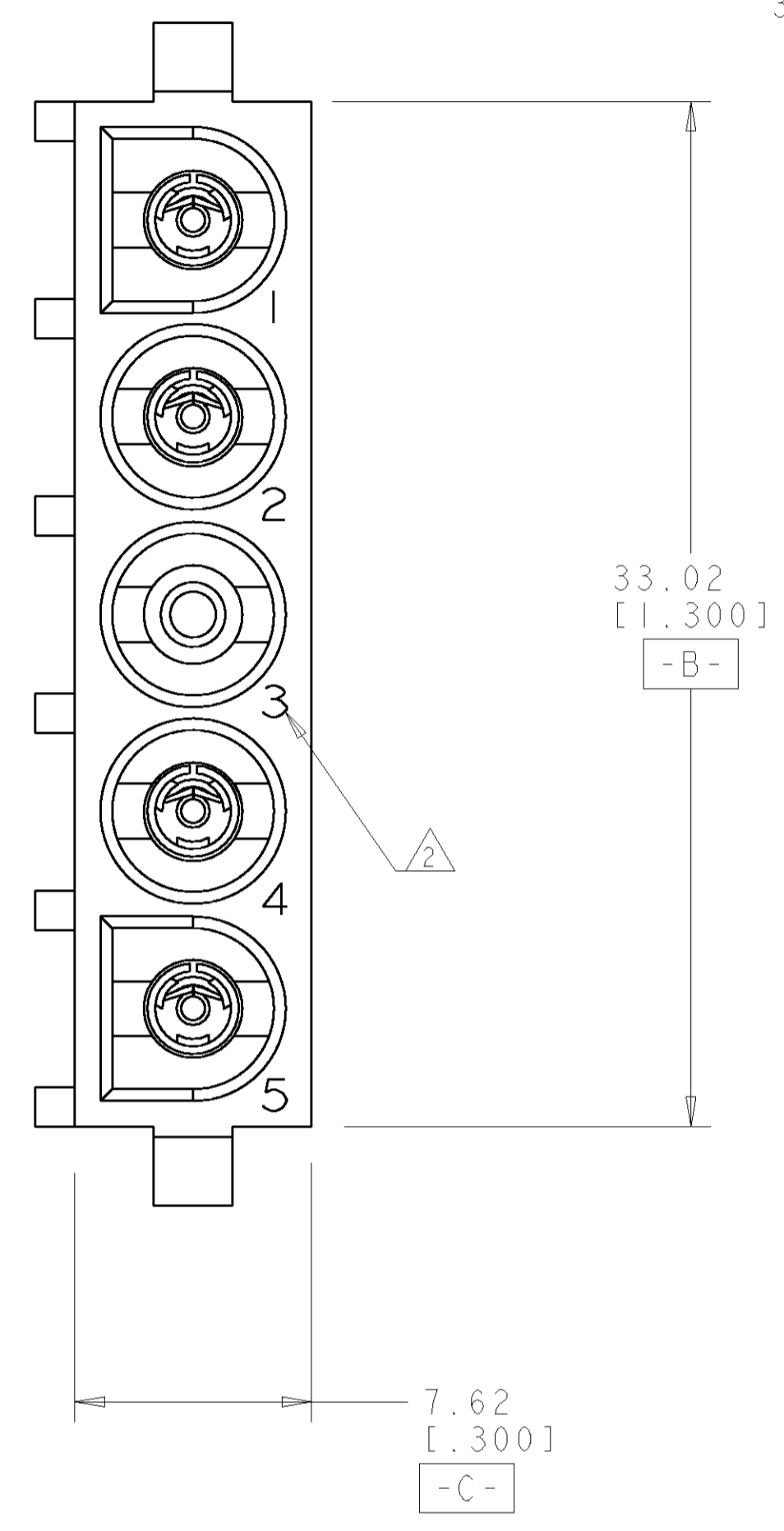
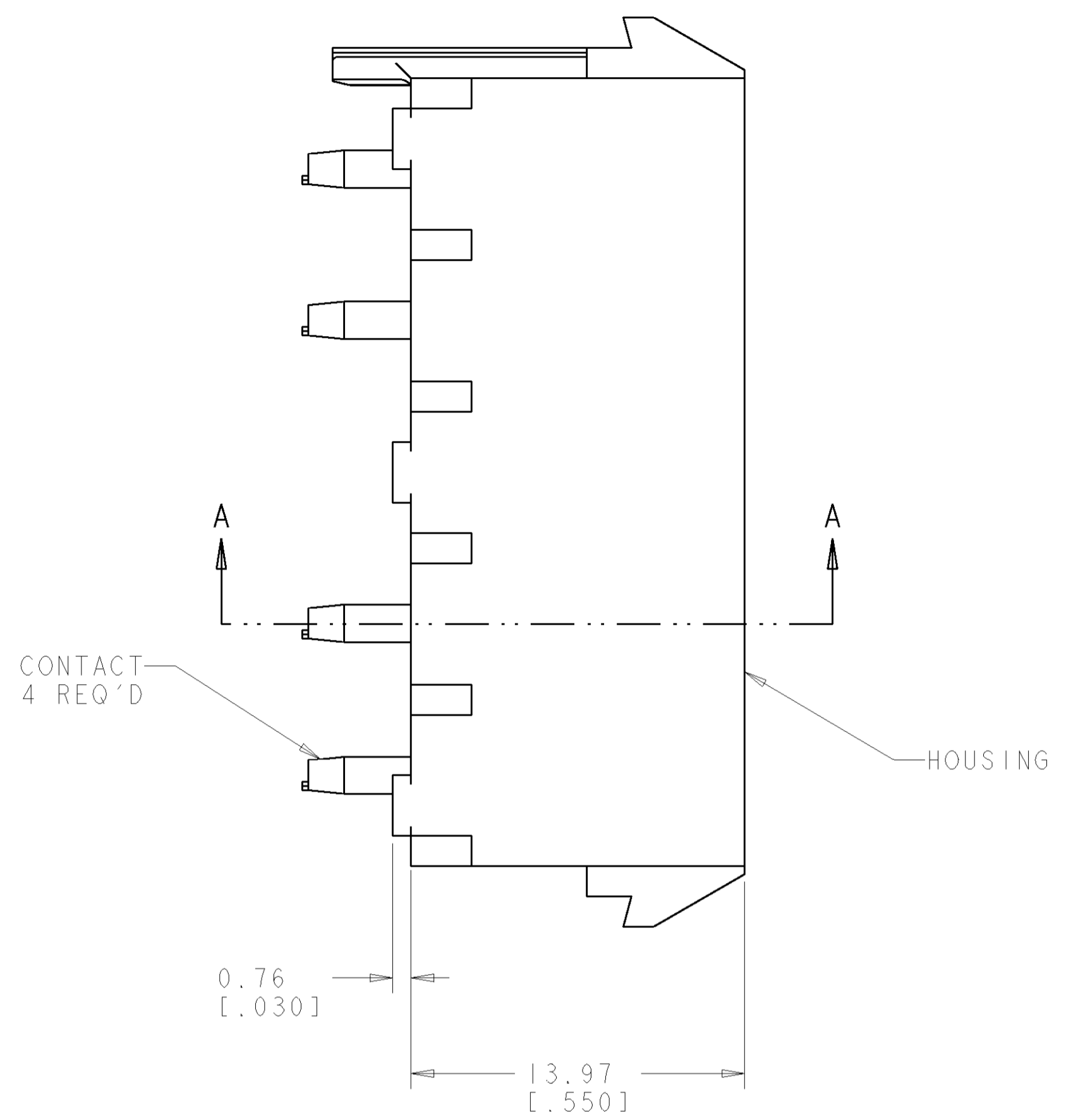
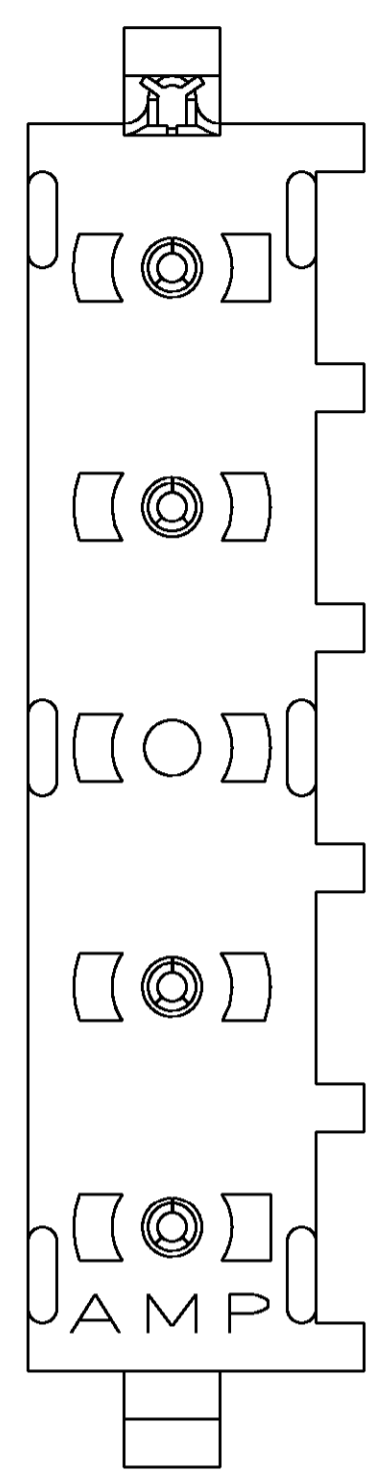


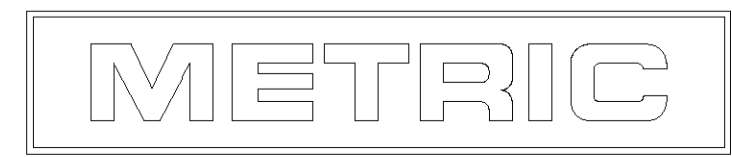
LOC		DIST		REVISIONS			
CM	00	P	LTR	DESCRIPTION	DATE	DWN	APVD
		0		RELEASED PER 0638-0526-04	18JUN04	KW	SR

- PARTS COMPLY TO AMP SOLDERABILITY SPECIFICATION 109-11-3.
- CIRCUIT IDENTIFICATION CHARACTERS ARE ADJACENT TO THE INDICATED CAVITIES, BUT LOCATION AND ORIENTATION MAY DIFFER FROM PRINT.
- DIMENSIONS IN BRACKETS ARE IN INCHES.



3 DIMENSIONAL MODEL
SCALE 4:1

3	PHOSPOR BRONZE, PRE-TIN	NYLON, UL94V-0, WHITE	1586397-1
OMITTED CONTACT NO	CONTACT MATERIAL AND FINISH	HOUSING MATERIAL AND COLOR	PART NUMBER



DIMENSIONS: mm [INCHES]		TOLERANCES UNLESS OTHERWISE SPECIFIED: 0 PLC ± 1 PLC ±0.13 (.005) 2 PLC ± 3 PLC ± 4 PLC ± ANGLES ±40° 30'		FINISH SEE TABLE		DWN R. WHITAKER 05-FEB-04 ENR S. RIDGILL 05-FEB-04 APVD S. RIDGILL 05-FEB-04		Tyco Electronics Harrisburg, PA 17105-3608	
MATERIAL SEE TABLE		WEIGHT -		SIZE CAGE CODE DRAWING NO A 00779 C-1586397		RESTRICTED TO -		CUSTOMER DRAWING SCALE 5:1 SHEET 1 OF 1 REV 0	