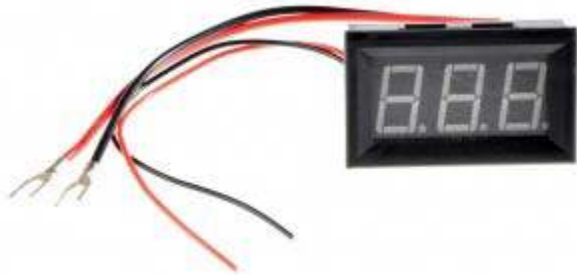




LED Current Meter 10A(SKU:DFR0244)

From Robot Wiki



LED Current 10A

Introduction

This is a standard LED Current Meter 10A. It measures 0-9.99A with 2% accuracy. Best suitable for current display in the circuit. Just apply four wires without any extra circuit or components, it gives the reading straight away. Easy to use, and good company with robot application. It has three color to select, green/blue/red.

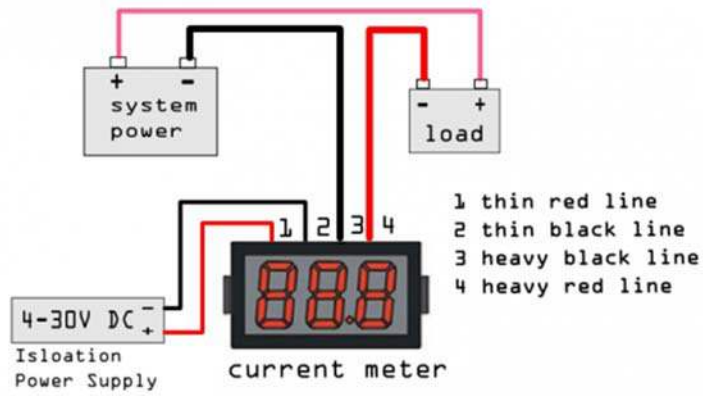
Warnings: Please carefully follow the instructions for wiring. The power supply terminal and measurement terminal of this LED Current Meter are used common-ground connection. So, the measurement terminal of current meter must be cascaded after loads. It's better that power supply of the current meter is isolated.

Specification

- Measure Current: 0-9.99A DC
- Power supply voltage: 4-30V DC
- Display mode: 3-bit 0.56 Led digital tube
- Accuracy: 2%
- Opening dimension: 45.5mm*26.5mm
- Dimension: 48mm*29mm*21mm
- weight: 23g
-

Connection Diagram

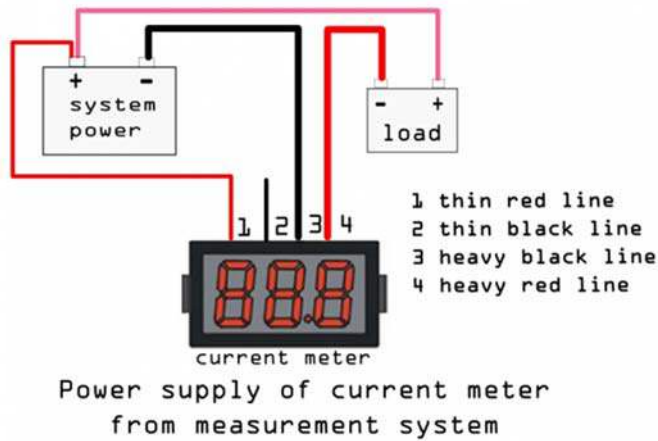
Connection Diagram 1:



Use Isolation Power Supply Connection Diagram

Connection Diagram 1

Connection Diagram 2:



Connection Diagram 2

[LED Current Meter 10A\(Blue\)\(SKU:DFR0244-B\)](#)

[LED Current Meter 10A\(Green\)\(SKU:DFR0244-G\)](#)

[LED Current Meter 10A\(Red\)\(SKU:DFR0244-R\)](#)