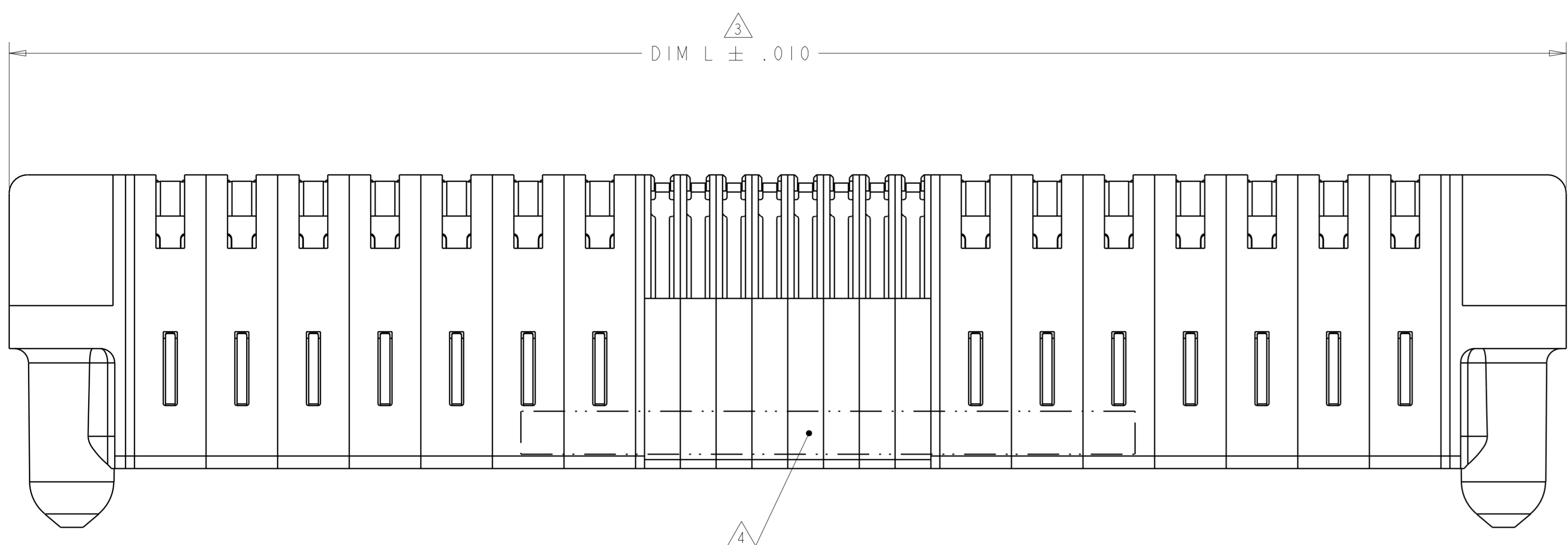
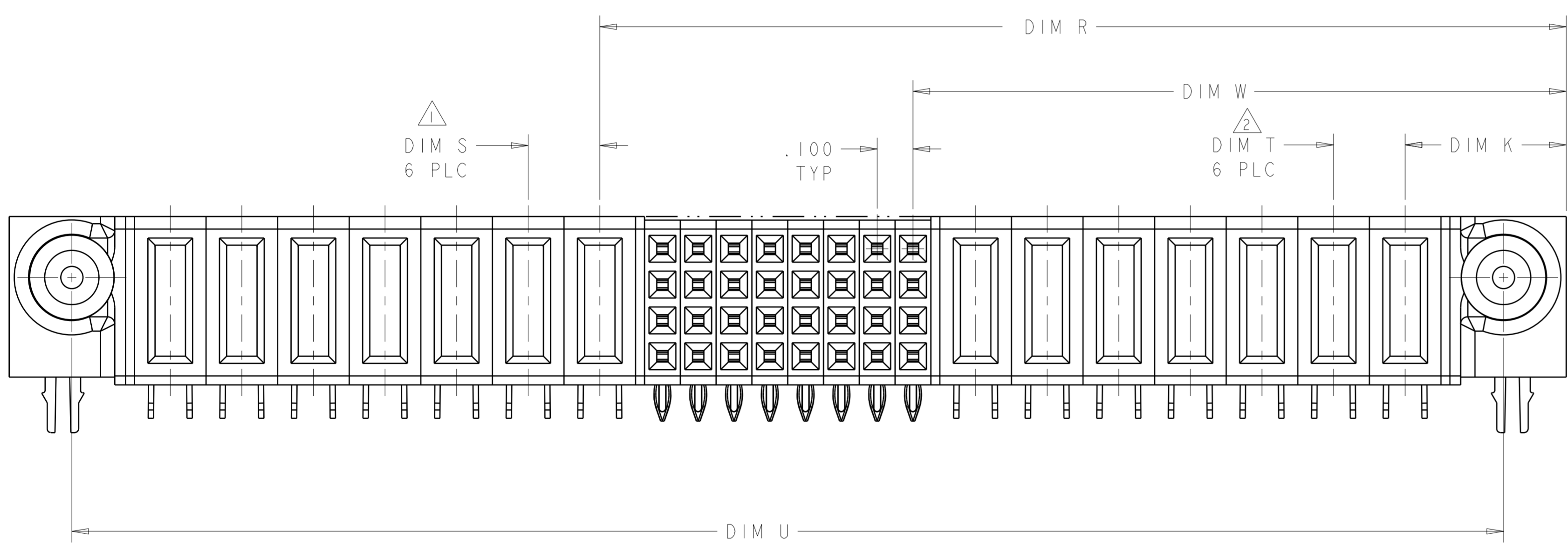


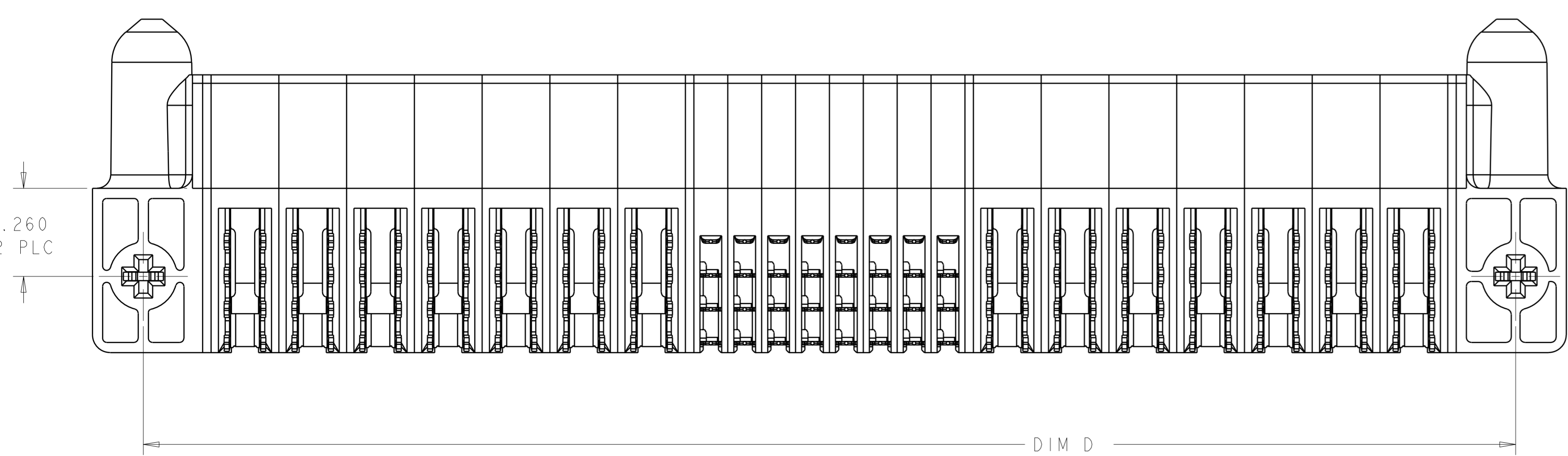
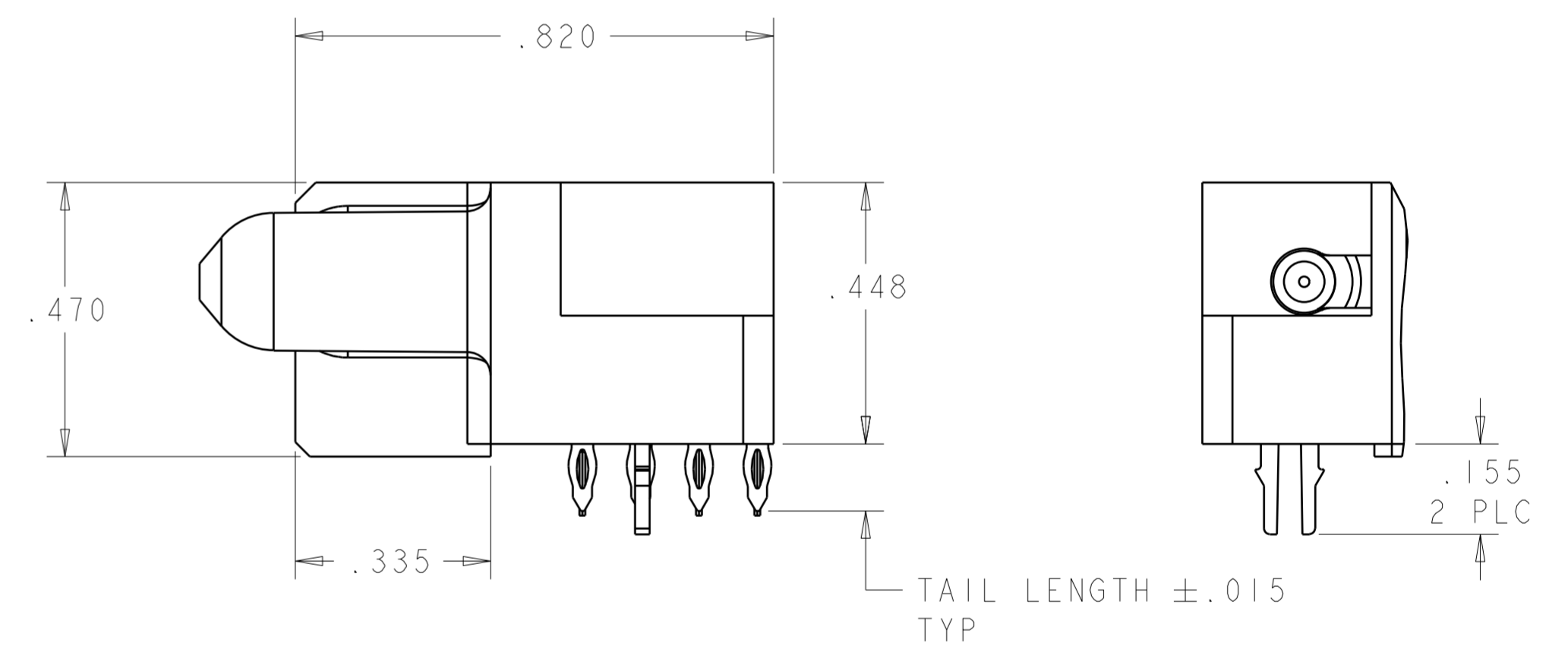
LOC		DIST		REVISIONS			
P	LTR	DESCRIPTION	DATE	DWN	APVD		
A		REV PER ECR-06-023720	11OCT2006	DZ	SY		



- △ DIM S IS CENTERLINE SPACING OF POWER MODULES ON LEFT SIDE OF HOUSING
- △ DIM T IS CENTERLINE SPACING OF POWER MODULES ON RIGHT SIDE OF HOUSING
- △ THE MAXIMUM OVERALL LENGTH (DIM L) OF A PART IS 8.00
- △ "AMP", PART NUMBER, AND DATE CODE TO BE MARKED IN AREA SHOWN  
PARTS UNDER 2.00 LONG MAY BE MARKED ON BOTH SIDES
- △ MATERIAL: HOUSING - GLASS FILLED HIGH TEMP THERMO PLASTIC, UV94 V-0  
SIGNAL CONTACT - HIGH CONDUCTIVITY COPPER ALLOY  
POWER CONTACT - HIGH CONDUCTIVITY COPPER-IRON ALLOY
- △ CONTACT PLATING: SIGNAL CONTACTS - .000050 MIN Ni UNDER ALL  
.000030 MIN Au ON CONTACT AREA  
.000100 Sn AT PCB INTERFACE  
POWER CONTACTS - .000050 Ni UNDER ALL  
.000030 MIN Au ON CONTACT AREA  
.000100 Sn AT PCB INTERFACE



- △ MECHANICAL CONNECTOR KEEP OUT ZONE
- △ DATUM AND BASIC DIMENSIONS ESTABLISHED BY CUSTOMER
- △ PCB - ALL HOLE DIAMETERS ARE FINISHED HOLE SIZES
- △ PCB - .0453 ± .0010 DRILLED HOLE PLATED WITH .0003 MIN Sn  
OVER .001 TO .003 PLATING TO ACHIEVE A .040 HOLE
- △ POWER CONTACT AREA LUBRICATED WITH LUBRICANT.

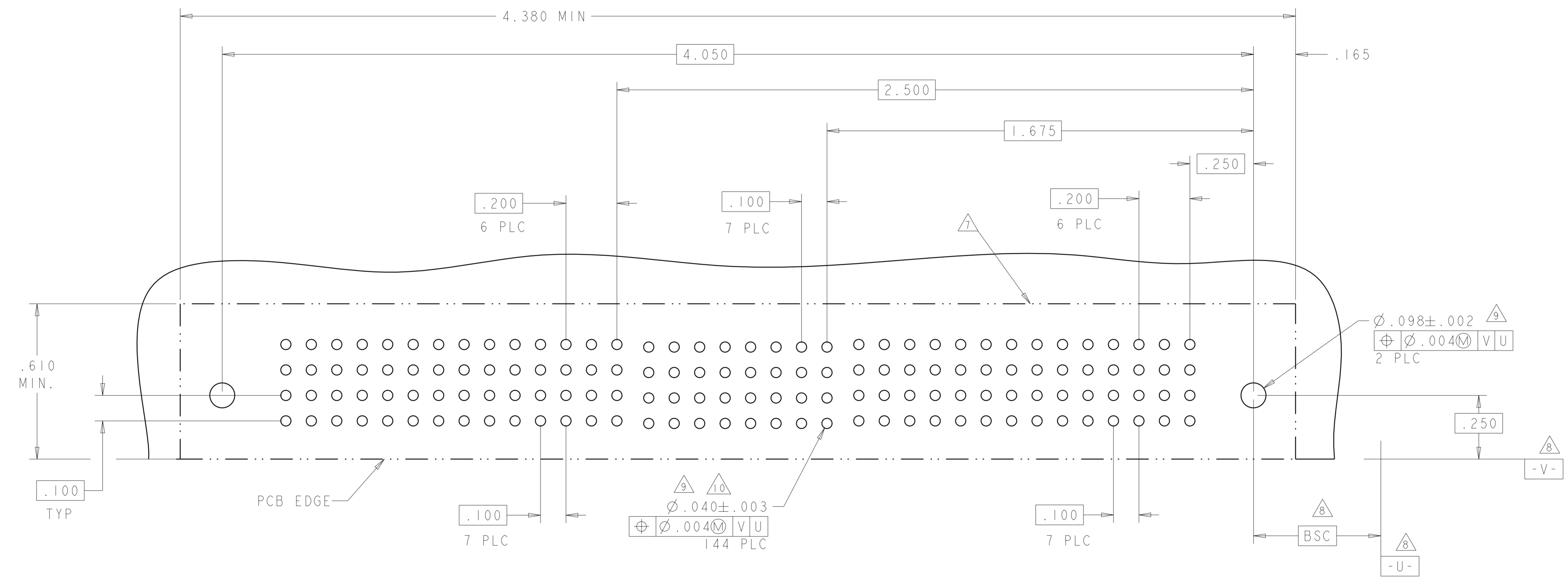


.450	1.825	.200	.200	2.700	4.050	4.000	4.350	7HDP + 32S + 7HDP	1892530-1
DIM K	DIM W	DIM T	DIM S	DIM R	DIM D	DIM U	DIM L	DESCRIPTION	PART NUMBER

DIMENSIONS:		TOLERANCES UNLESS OTHERWISE SPECIFIED:		DWN 11OCT2006		Tyco Electronics	
0 PLC	±.1	0	±.1	CHR DENNY ZHU	11OCT2006	Shanghai, P.R.China.200233	
1 PLC	±.01	1	±.01	CHR SUNY ZHAO	11OCT2006	APVD S. YAO	
2 PLC	±.005	2	±.005	NAME		RIGHT ANGLE RECEPTACLE ASSEMBLY	
3 PLC	±.0020	3	±.0020	PRODUCT SPEC		MULTI-BEAM XL, PWR-SIG-PWR, W/GUIDES	
4 PLC	±.0020	4	±.0020	APPLICATION SPEC		PRESS FIT LEGS	
FINISH		FINISH		SIZE		CASE CODE DRAWING NO	
△ 5		△ 6		A1		00779 C=1892530	
MATERIAL				WEIGHT		RESTRICTED TO	
CUSTOMER DRAWING				SCALE		SHEET 1 OF 2 REV A	

LOC		DIST		REVISIONS			
ES	00	PT	LTR	DESCRIPTION	DATE	DWN	APVD
				SEE SHEET J			

PART NUMBER	ROWS	POWER							SIGNAL								POWER						
		P14	P13	P12	P11	P10	P9	P8	8	7	6	5	4	3	2	1	P7	P6	P5	P4	P3	P2	P1
1892530-1	D C B A	RK	RK	RK	RK	RK	RK	RK	DD	DD	DD	DD	DD	DD	DD	DD	RK	RK	RK	RK	RK	RK	RK
								CC	CC	CC	CC	CC	CC	CC	CC								
								BB	BB	BB	BB	BB	BB	BB	BB								
								AA	AA	AA	AA	AA	AA	AA	AA								
7HDP + 32S + 7HDP																							



CODE	DESCRIPTION	TAIL LENGTH
DD	SIGNAL CONTACT, R/A HDR, STD, ROW D	.165
CC	SIGNAL CONTACT, R/A HDR, STD, ROW C	.165
BB	SIGNAL CONTACT, R/A HDR, STD, ROW B	.165
AA	SIGNAL CONTACT, R/A HDR, STD, ROW A	.165
RL	POWER CONTACT, R/A HDR, MLBF	.165
RK	POWER CONTACT, R/A HDR, STD	.165

CONTACT TABLE

DIMENSIONS:		TOLERANCES UNLESS OTHERWISE SPECIFIED:		DWN DENNY ZHU 11OCT2006		tyco Tyco Electronics	
INCHES		0 PLC	±.1	CHK SUNY ZHAO 11OCT2006	NAME	Shanghai, P.R.China, 200233	
		1 PLC	±.01	PRODUCT SPEC			
		2 PLC	±.01	APPLICATION SPEC			
		3 PLC	±.005	SIZE CASE CODE DRAWING NO			
		4 PLC	±.0020	RESTRICTED TO			
		ANGLES	±0° 30'	WEIGHT			
MATERIAL		FINISH		A1 00779 C-1892530			
				CUSTOMER DRAWING			
				SCALE 4:1 SHEET 2 OF 2 REV A			