

THIS DRAWING IS UNPUBLISHED. RELEASED FOR PUBLICATION
 © COPYRIGHT BY TYCO ELECTRONICS CORPORATION. ALL INTERNATIONAL RIGHTS RESERVED.

| LOC | | DIST | | REVISIONS | | | |
|-----|----|------|-----|---------------------------|---------|-----|------|
| AD | 00 | P | LTR | DESCRIPTION | DATE | DWN | APVD |
| | | A1 | | REVISED PER ECO-10-000290 | 07JAN11 | HMR | MW |

SPECIFICATIONS:

MATERIALS:

MOVING CONTACT: COPPER ALLOY, GOLD PLATE OVER SILVER CLAD.
 FIXED CONTACT: COPPER ALLOY, GOLD PLATE OVER SILVER CLAD.

ELECTRICAL:

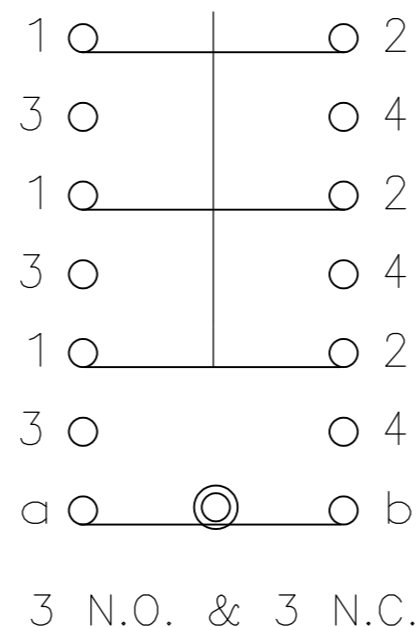
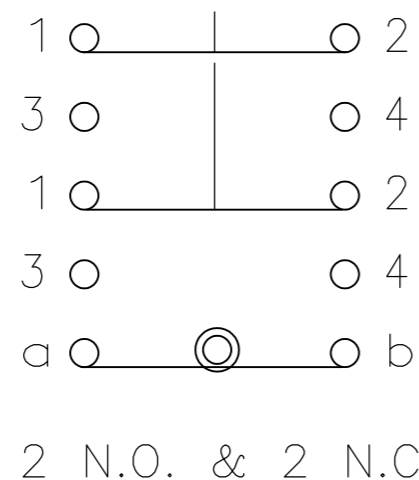
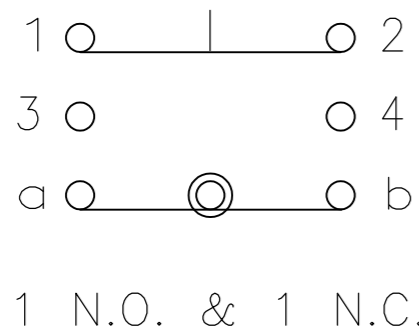
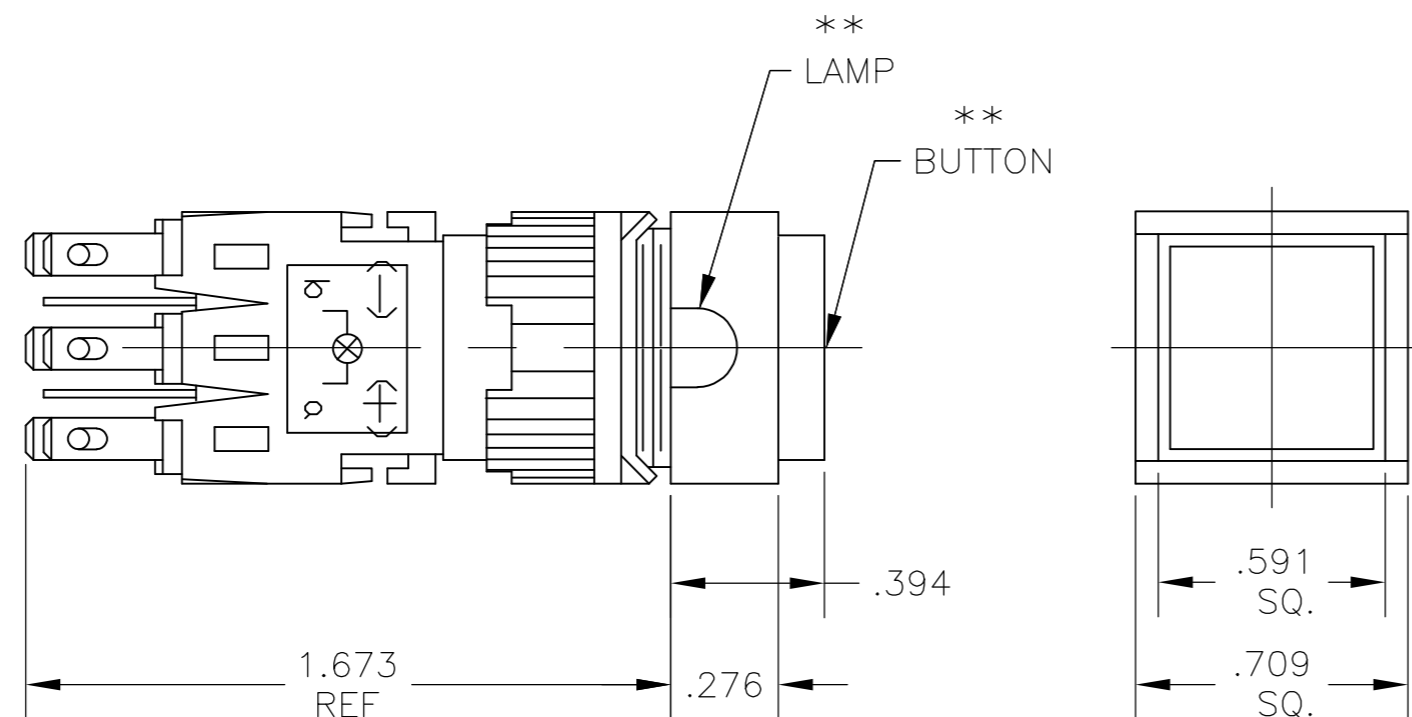
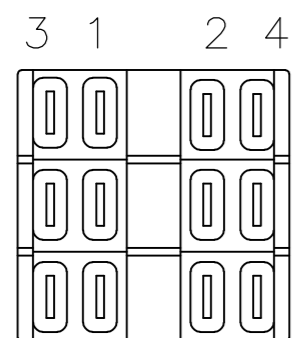
CONTACT RATING: 0.4VA @ 20VDC OR PEAK AC.
 5 AMPS @ 250VAC OR 24VDC (RESISTIVE).
 INITIAL CONTACT RESISTANCE: 20 MILLIOHMS MAX.
 INSULATION RESISTANCE: 100 MEGOHMS MINIMUM.
 DIELECTRIC STRENGTH: 1500 VOLTS RMS @ SEA LEVEL.
 LIFE EXPECTANCY: 100,000 CYCLES.

ENVIRONMENTAL:

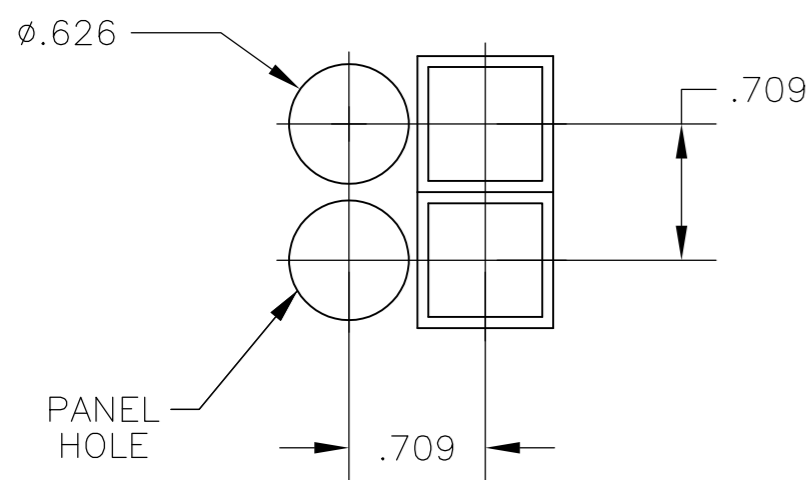
OPERATING TEMPERATURE: -4°F TO +122°F (-20°C TO +50°C)
 STORAGE TEMPERATURE: -4°F TO +122°F (-20°C TO +50°C)

- INTERPRET DRAWING PER ASME Y14.5M-1994.
 - OILTIGHT MODELS MEET NEMA 1, 12, 13 REQUIREMENTS.
 - UL RECOGNIZED E-51302.
 - PANEL THICKNESS: NON-OILTIGHT = 0.230 MAX.
OILTIGHT = 0.210 MAX.
- 5 THE PLATINGS CONTAINED IN THIS PART SHALL CONTAIN NO LEAD.
 6 PRELIMINARY PART, NOT RELEASED FOR PRODUCTION.

** ORDER BUTTON AND LAMP SEPARATELY: SEE
 DWG NO'S 80810 & 80811



CONTACT DIAGRAM
 (BUTTON NOT DEPRESSED)



PANEL CUTOUT
 SCALE: 1/1
 TOLERANCE +/- .002

| TE PART No. | MODEL NON OILTIGHT | MODEL OILTIGHT | COMMENTS | CONTACTS | ACTION |
|-------------|--------------------|----------------|----------|---------------|------------------|
| 1571544-5 | 165SL533 | | | 3 N.O. & N.C. | PUSH ON/PUSH OFF |
| 1571544-4 | 164SL522 | | | 2 N.O. & N.C. | PUSH ON/PUSH OFF |
| 1571544-3 | 164SL511 | | | 1 N.O. & N.C. | PUSH ON/PUSH OFF |
| 1571544-2 | 164SL22 | | | 2 N.O. & N.C. | MOMENTARY |
| 1571544-1 | 164SL11 | | | 1 N.O. & N.C. | MOMENTARY |
| | | 165SL533 | | 3 N.O. & N.C. | PUSH ON/PUSH OFF |
| 5-1437569-2 | | 165SL522 | | 2 N.O. & N.C. | PUSH ON/PUSH OFF |
| 5-1437569-1 | | 165SL511 | | 1 N.O. & N.C. | PUSH ON/PUSH OFF |
| | | 165SL33 | | 3 N.O. & N.C. | MOMENTARY |
| 5-1437569-0 | | 165SL22 | | 2 N.O. & N.C. | MOMENTARY |
| 4-1437569-9 | | 165SL11 | | 1 N.O. & N.C. | MOMENTARY |
| 3-1437569-1 | 164SL533 | | | 3 N.O. & N.C. | PUSH ON/PUSH OFF |
| 3-1437569-0 | 164SL522 | | | 2 N.O. & N.C. | PUSH ON/PUSH OFF |
| 2-1437569-9 | 164SL511 | | | 1 N.O. & N.C. | PUSH ON/PUSH OFF |
| 2-1437569-8 | 164SL5 | | | - | PUSH ON/PUSH OFF |
| 2-1437569-7 | 164SL33 | | | 3 N.O. & N.C. | MOMENTARY |
| 2-1437569-6 | 164SL22 | | | 2 N.O. & N.C. | MOMENTARY |
| 2-1437569-5 | 164SL11 | | | 1 N.O. & N.C. | MOMENTARY |
| 2-1437569-4 | 164SL | | | - | MOMENTARY |

REF AUGAT 80864

THIS DRAWING IS A CONTROLLED DOCUMENT.

| | | |
|--|---------|--|
| DWN LM | 3-21-89 | Tyco Electronics Corporation Harrisburg, PA 17105-3608 |
| CHK CF | 3-22-89 | |
| APVD TH | 3-21-89 | |
| PRODUCT SPEC | | |
| DIMENSIONS: INCHES TOLERANCES UNLESS OTHERWISE SPECIFIED: 0 PLC ± - 1 PLC ± - 2 PLC ± - 3 PLC ± .010 4 PLC ± - ANGLES ± - FINISH | | NAME: 164/165 SL DERIES ILLUMINATED PUSHBUTTON SIZE: A2 CAGE CODE: 00779 DRAWING NO: 2-1437569-9 RESTRICTED TO: - WEIGHT: - CUSTOMER DRAWING SCALE: 1:1 SHEET: 1 OF 1 REV: A1 |