

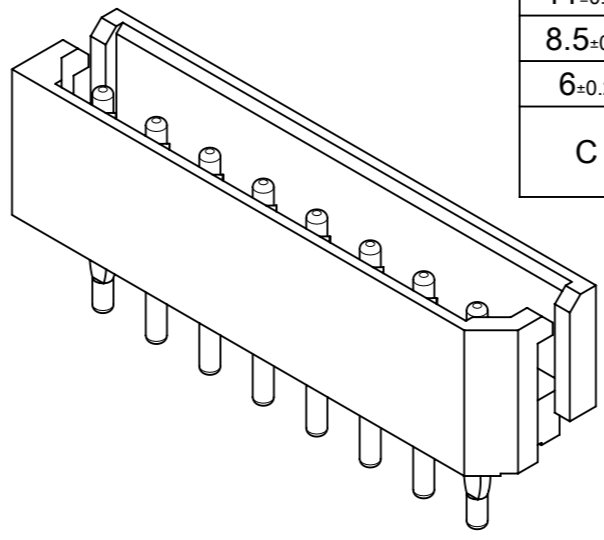
- 注記：
NOTES:
- ① 材質：TABLE 1参照
MATERIAL：SEE TABLE 1
 - ② 両端のPINのみコインを適用。
APPLY COIN：PIN, BOTH ENDS
 - ③ 梱包仕様書、製品仕様書、嵌合相手はSHEET 2をご参照ください。
PLEASE REFER TO SHEET 2 FOR PACKAGING SPECIFICATION
PRODUCT SPECIFICATION AND MATE WITH.
 - ④ 本製品はコインあり品である。
コインなし品は52670001-SD/PSD/000をご参照ください。
THIS PRODUCT IS WITH COIN.
PLEASE REFER TO 52670001-SD/PSD/000 FOR WITHOUT COIN PRODUCT.
 - ⑤ 発注番号：ORDER NO.
999909** (**:86~99)

38.5±0.3	35	39.9±0.3	ポリ袋 POLY BAG	5267NAX	526715AX	99990999	15
36±0.3	32.5	37.4±0.3			526714AX	99990998	14
33.5±0.3	30	34.9±0.3			526713AX	99990997	13
31±0.3	27.5	32.4±0.3			526712AX	99990996	12
28.5±0.25	25	29.9±0.25			526711AX	99990995	11
26±0.25	22.5	27.4±0.25			526710AX	99990994	10
23.5±0.25	20	24.9±0.25			526709AX	99990993	9
21±0.25	17.5	22.4±0.25			526708AX	99990992	8
18.5±0.25	15	19.9±0.25			526707AX	99990991	7
16±0.25	12.5	17.4±0.25			526706AX	99990990	6
13.5±0.25	10	14.9±0.25			526705AX	99990989	5
11±0.25	7.5	12.4±0.25			526704AX	99990988	4
8.5±0.2	5	9.9±0.2			526703AX	99990987	3
6±0.2	2.5	7.4±0.2			526702AX	99990986	2
C	B	A			梱包形態 PACKAGING	シリーズ番号 SERIES NO.	ENG. NO.

① TABLE 1

番号 NO.	部品 PART	材質 MATERIAL	
①	ハウジング HOUSING	ポリアミド(PA), UL94V-0, 色: ナチュラル(白) POLYAMIDE(PA), UL94V-0, COLOR: NATURAL (WHITE)	
②	ピン PIN	母材 BASE METAL	黄銅(Ø0.7) BRASS (Ø0.7)
		めっき PLATING	錫めっき：3 MICROMETER MIN. TIN
		下地めっき UNDERPLATING	銅めっき：1 MICROMETER MIN. COPPER (UNDERPLATING)

DOCUMENT STATUS	P1	RELEASE DATE	2023/03/09	09:00:02
-----------------	----	--------------	------------	----------



THIS DRAWING CONTAINS INFORMATION THAT IS PROPRIETARY TO MOLEX ELECTRONIC TECHNOLOGIES, LLC AND SHOULD NOT BE USED WITHOUT WRITTEN PERMISSION

DIMENSION UNITS	SCALE	CURRENT REV DESC:		
mm	NTS			
GENERAL TOLERANCES (UNLESS SPECIFIED)				
ANGULAR TOL	±	3.0°		
4 PLACES	±	EC NO: 727270		
3 PLACES	±	DRWN: SOKUMURA01 2022/11/30		
2 PLACES	±	CHK'D: SAKIYAMA 2023/03/09		
1 PLACE	±	APPR: AIDA 2023/03/09		
0 PLACES	±	INITIAL REVISION:		
DRAFT WHERE APPLICABLE MUST REMAIN WITHIN DIMENSIONS		DRWN: SUDAYGUNAGI 2019/06/20	DOCUMENT NUMBER	
THIRD ANGLE PROJECTION		APPR: KOMURAKAMI 2020/05/13	52670002-SD	
DRAWING	SERIES	MATERIAL NUMBER	CUSTOMER	SHEET NUMBER
A3-SIZE	5267	SEE CHART	GENERAL	1 OF 2

molex

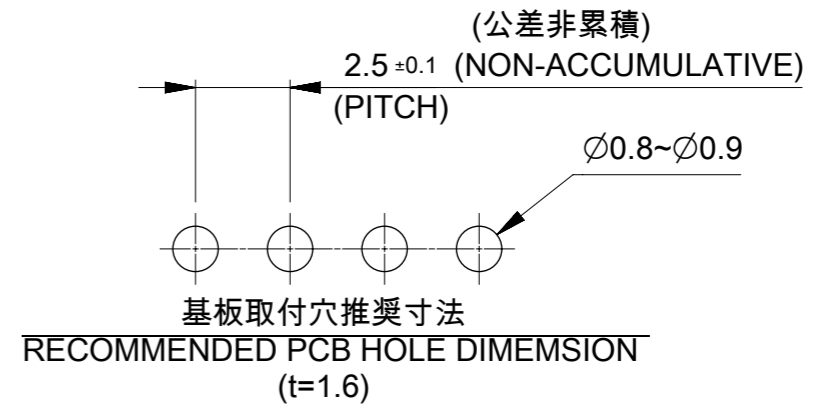
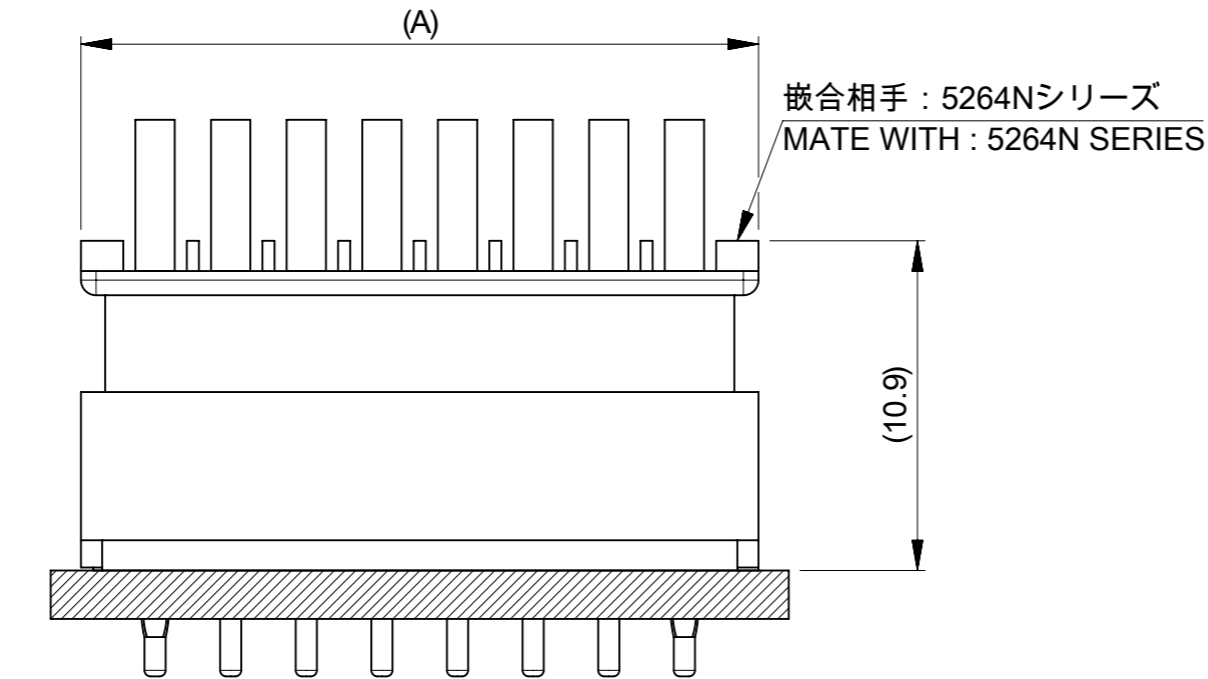
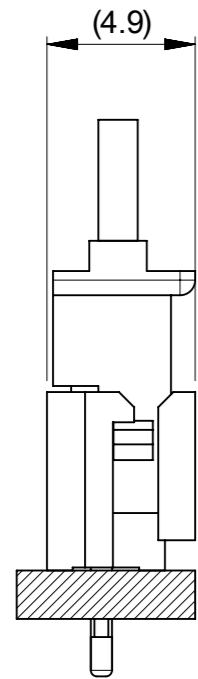
MINI-SPOX 2.5 W/B
VERTICAL PLUG ASSEMBLY WITH COIN
COPPER UNDERPLATING

PRODUCT CUSTOMER DRAWING

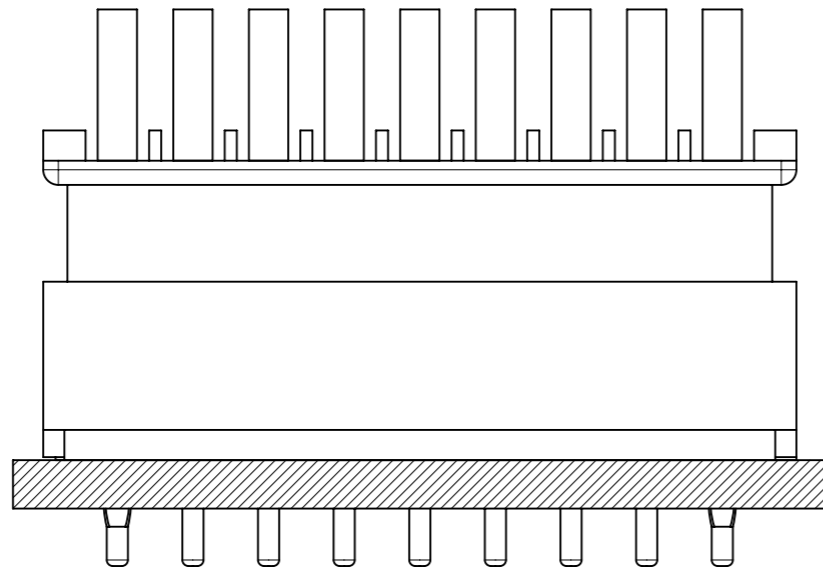
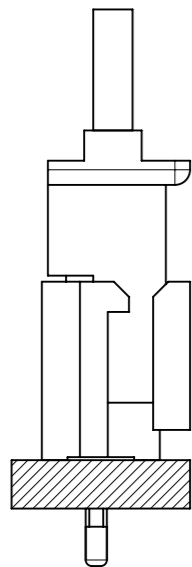
△ 適用製品及び各種仕様書
 APPLICABLE PRODUCTS AND VARIOUS SPECIFICATIONS

梱包仕様書 PACKAGING SPECIFICATION	ORDER NO. 999909**	SPECIFICATION NO. SPK-5267-001 PS 001
嵌合相手 MATE WITH	RECEPTACLE HOUSING	
シリーズ番号 SERIES NO.	5264N	
製品仕様書 PRODUCT SPECIFICATION	PS-5264-001 PS 001	

2-8極
2-8 CIRCUIT



9-15極
9-15 CIRCUIT



嵌合図
MATING CONNECTORS

THIS DRAWING CONTAINS INFORMATION THAT IS PROPRIETARY TO MOLEX ELECTRONIC TECHNOLOGIES, LLC AND SHOULD NOT BE USED WITHOUT WRITTEN PERMISSION									
DIMENSION UNITS	SCALE	CURRENT REV DESC:							
mm	NTS								
GENERAL TOLERANCES (UNLESS SPECIFIED)		EC NO: 727270			MINI-SPOX 2.5 W/B VERTICAL PLUG ASSEMBLY WITH COIN COPPER UNDERPLATING				
ANGULAR TOL ± 3.0°		DRWN: SOKUMURA01 2022/11/30							
4 PLACES	±	CHK'D: SAKIYAMA 2023/03/09			PRODUCT CUSTOMER DRAWING				
3 PLACES	±	APPR: AIDA 2023/03/09							
2 PLACES	± 0.2	INITIAL REVISION:			DOCUMENT NUMBER: 52670002-SD DOC TYPE: PSD DOC PART: 000 REVISION: B				
1 PLACE	± 0.2	DRWN: SUDAYGUNAGI 2019/06/20							
0 PLACES	±	APPR: KOMURAKAMI 2020/05/13			MATERIAL NUMBER: SEE SHEET 1 CUSTOMER: GENERAL SHEET NUMBER: 2 OF 2				
DRAFT WHERE APPLICABLE MUST REMAIN WITHIN DIMENSIONS		THIRD ANGLE PROJECTION	DRAWING	SERIES					
			A3-SIZE	5267					