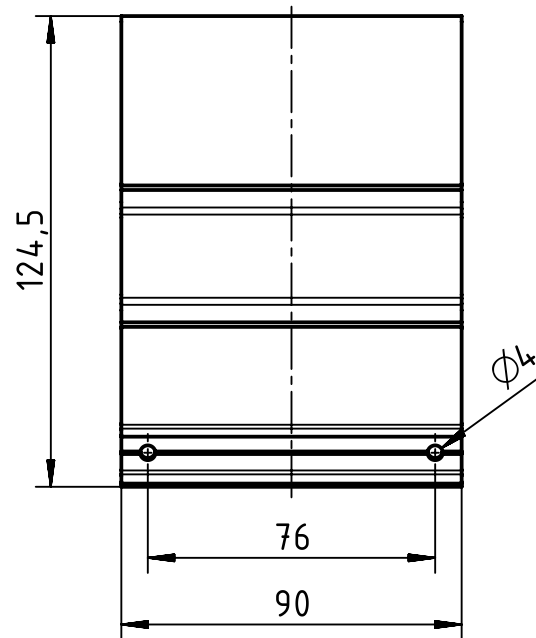
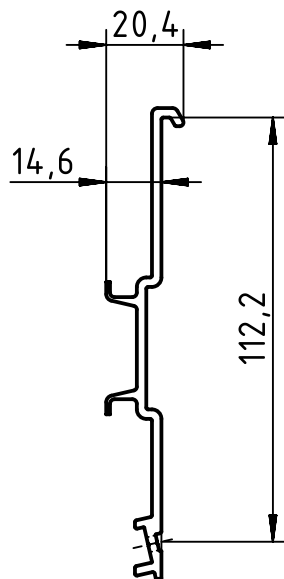
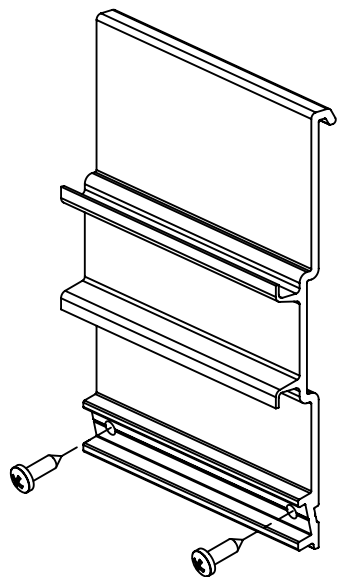


1 2 3 4 5 6

A


views excluding screws



B

C

D

	All rights reserved Department EL PD - DE	Created by STICKFORTH	Inspected by WULF	Standardisation TIEMANNA	Date 2015-03-12	State Final Release	Ref. Sub.
	HARTING Electric GmbH & Co. KG D-32339 Espelkamp	Title Ha-VIS MK3000 S790				Doc-Key / ECM-Nr. 100610321/UGD/002/B 500000086312	
		Type TB	Number 24 98 100 0013			Page 1/1	