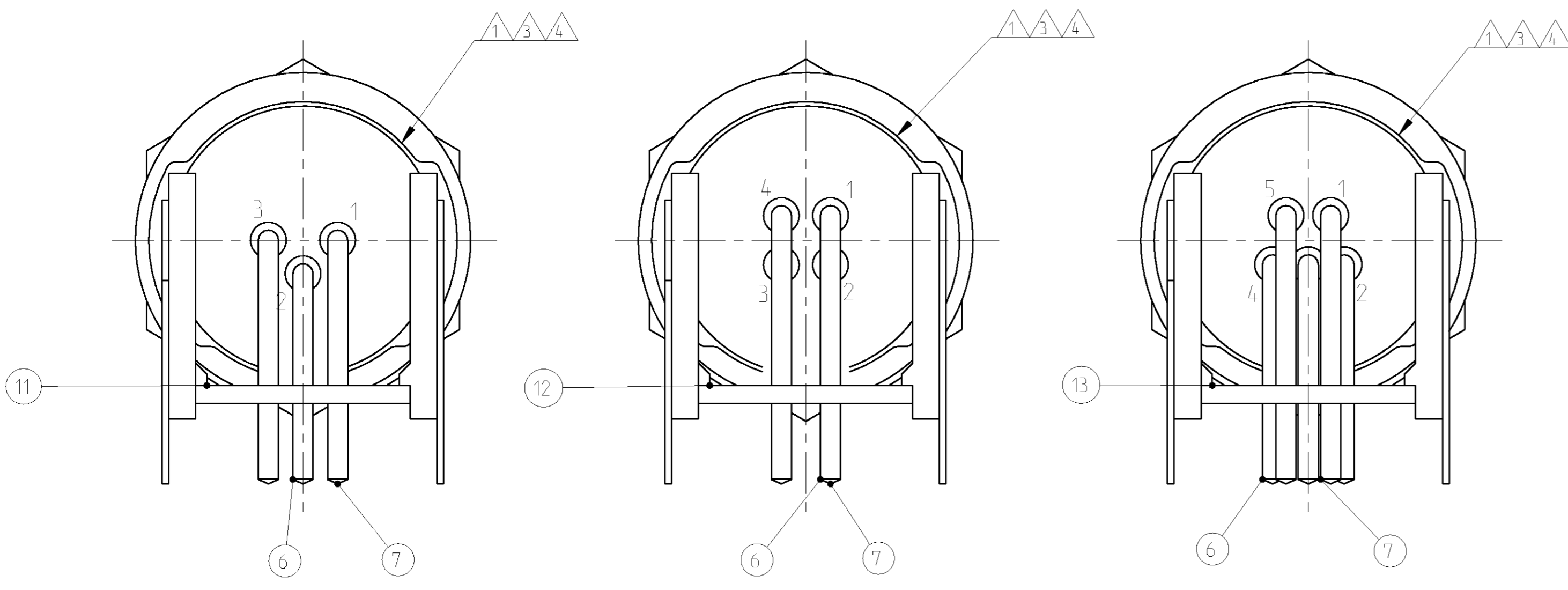


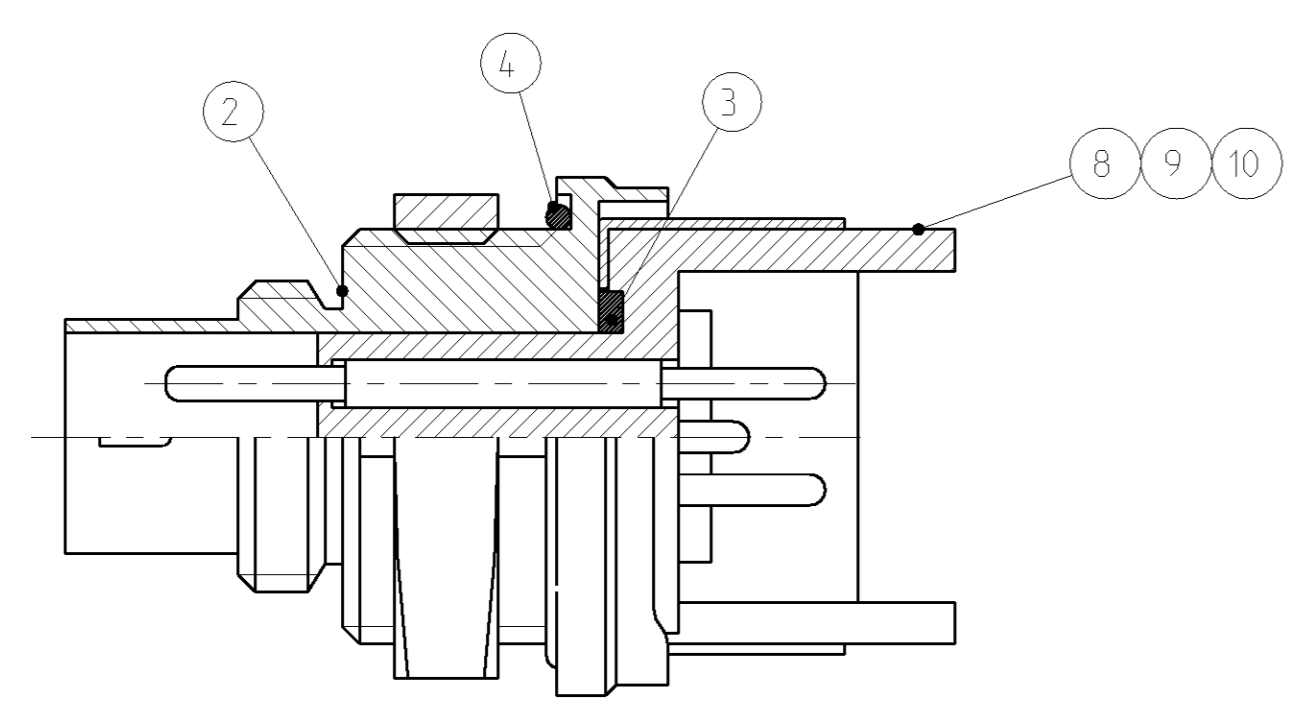
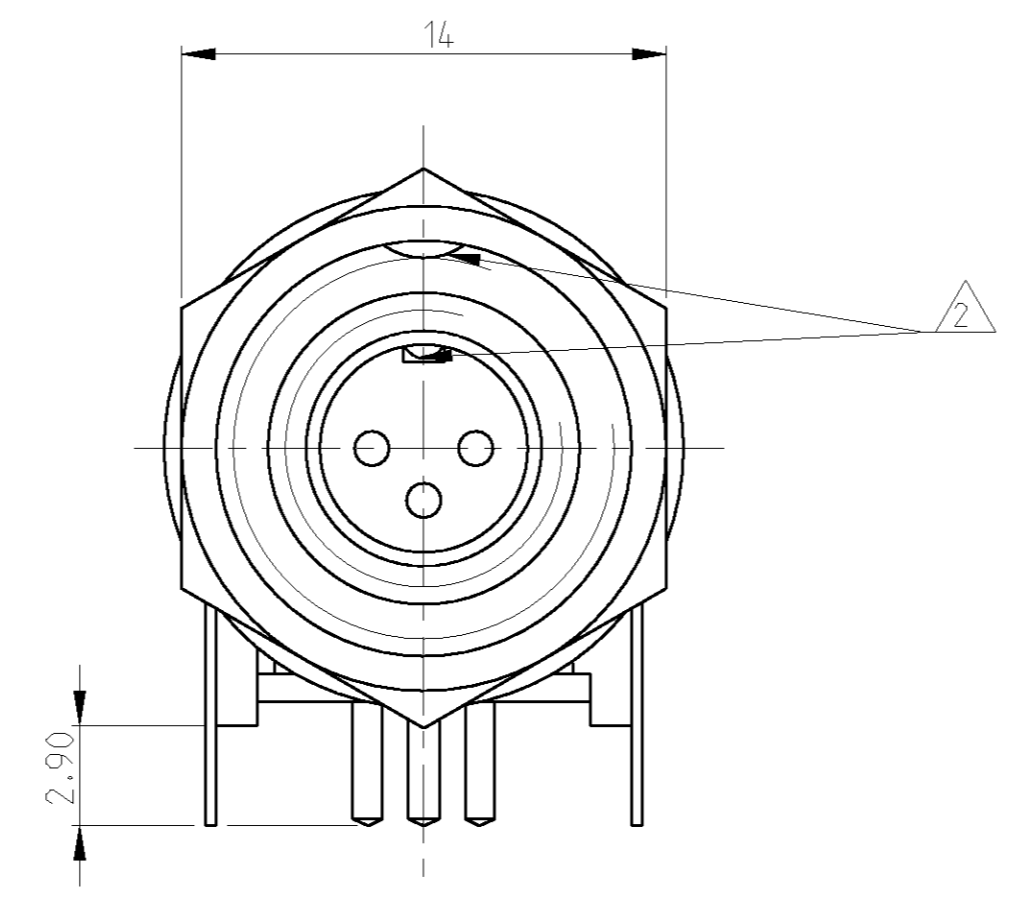
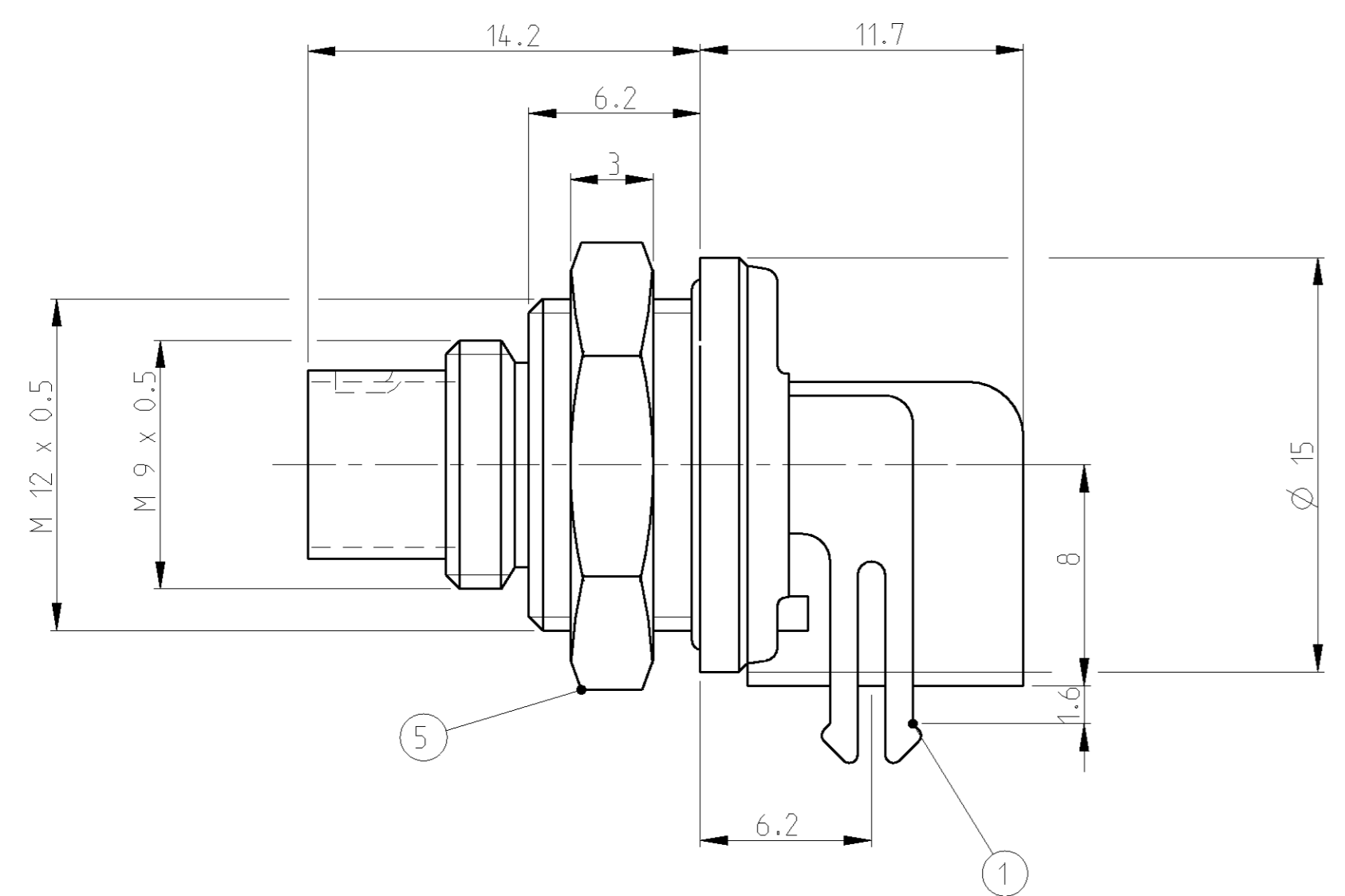
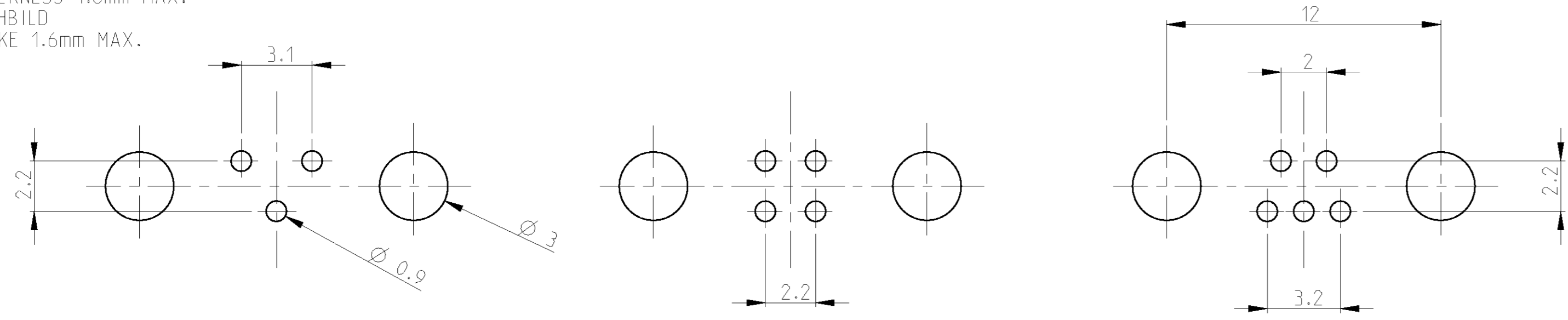
3 WAY  
3 POLIG

4 WAY  
4 POLIG

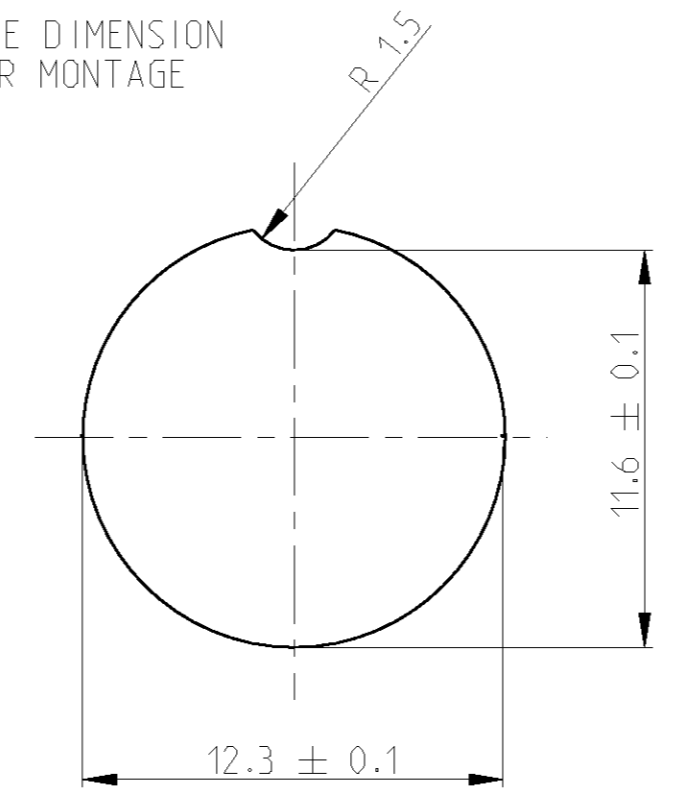
5 WAY  
5 POLIG



PCB HOLES  
PCB THICKNESS 1.6mm MAX.  
PCB LOCHBILD  
PCB DICKE 1.6mm MAX.



MOUNTING HOLE DIMENSION  
LOCHBILD FUER MONTAGE



4-1437719-5 AS SHOWN  
WIE GEZEICHNET

LOC	DISP	REV	DESCRIPTION	DATE	DWN	APPR
A1	-	1	EG00-0576-01	18JUN2001	NG	GF
A2	-	2	DRAWING ADJUSTED	06DEC2002	NG	GF

MATERIAL / MATERIAL: PBT, UL-94 V2	△5
SHELL MATERIAL / GEHAUSEMATERIAL: CUZN	△4
FINISH / BESCHICHTUNG: TRIBOR 4 μm	△3
WIRE GAGE / DRAHTGROESSE IN mm <sup>2</sup> : 0.25	△4
CONTACT RESISTANCE / KONTAKTWIDERSTAND: => 5 mΩ	△3
CODING / CODIERUNG	△2
RATED CURRENT PER CONTACT / NENNSTROM PRO KONTAKT: 3 A	△1
SHELL PROTECTION CLASS / SCHUTZKLASSE: IP 65 / DIN 40050	
TERMINATION: SOLDERING / VERBINDUNG: LOETKONTAKTE	
TEST VOLTAGE / PRUEFSPANNUNG: 500 VAC	
OPERATING VOLTAGE / BETRIEBSSPANNUNG: 60 VAC	
OPERATING TEMPERATURE: -40°C TO +80°C / ARBEITSTEMPERATUR: -40°C BIS +80°C	
MATING CYCLES / STECKZYKLEN: 500 MAX.	
TECHNICAL DATA TECHNISCHE DATEN	

TYCO-NO./TYCO NR.	QTY REQD PER ASSY	DESCRIPTION / BESCHREIBUNG	ITEM-NO. TEIL-NR.
5-1437719-1	1	PLATE 5 POS. / PLATTE 5 POL.	13
4-1437719-8	1	PLATE 4 POS. / PLATTE 4 POL.	12
4-1437719-5	1	PLATE 3 POS. / PLATTE 3 POL.	11
	1	INSULATION TUBE 5 POS. / ISOLIERHUELSE 5 POL.	10
	1	INSULATION TUBE 4 POS. / ISOLIERHUELSE 4 POL.	9
	1	INSULATION TUBE 3 POS. / ISOLIERHUELSE 3 POL.	8
2	2	MALE PIN APPLIED BY PRESSURE / STIFTKONTAKT EINGEPRESST	7
3	2	MALE PIN APPLIED BY PRESSURE / STIFTKONTAKT EINGEPRESST	6
1	1	NUT / MUTTER	5
1	1	SEAL / DICHTUNG	4
1	1	SEAL / DICHTUNG	3
1	1	HOUSING / GEHAUESE	2
1	1	GROUND ON PCB SPRING / VERBINDUNGSFEDER ZUR PCB MASSE	1
-	-	REVISION OF EACH ASSY NO. (WHEN BLANK, USE DWG REV.)	
CATALOG-NO.			
CATALOG-NO.			
CATALOG-NO.			

<p>TYCO ELECTRONICS CORPORATION</p> <p>11115 SANDHURST RD. CHAMBERSBURG, PA 15622-0001</p> <p>TELEPHONE: 717-261-1000 FAX: 717-261-1001</p> <p>WWW.TYCOELECTRONICS.COM</p>	<p>DWN: H. GELSTER 18JUN2001</p> <p>CHK: H. SCHERER 18JUN2001</p> <p>APPR: H. GELSTER 18JUN2001</p>	<p><b>tyco</b> <b>Electronics</b></p> <p>tyco Electronics AMP GmbH D - 64625 Bensheim</p>
<p>PRODUCT SPEC: 09 PLC ±0.3</p> <p>PRODUCT SPEC: 02 PLC ±0.3</p> <p>PRODUCT SPEC: 03 PLC ±0.3</p> <p>PRODUCT SPEC: 04 PLC ±0.3</p> <p>PRODUCT SPEC: 05 PLC ±0.3</p>	<p>APPLICATION SPEC: 01</p> <p>APPLICATION SPEC: 02</p> <p>APPLICATION SPEC: 03</p> <p>APPLICATION SPEC: 04</p> <p>APPLICATION SPEC: 05</p>	<p>NAME: T01 MALE PLUS CONN. PANEL MNT. PCB VER. 3-5 POS. 90 DGR. T01 STIFTSTECKER. EINBAU. PCB VER. 3-5 POL. 90 GRAD</p> <p>SIZE: A1</p> <p>CAGE CODE: 00779</p> <p>DRAWING NO.: 4-1437719-5</p> <p>RESTRICTED TO MR. PIER</p>
<p>MATERIAL: PBT</p> <p>FINISH: TRIBOR</p>	<p>WEIGHT: -</p> <p>WEIGHT: -</p> <p>CUSTOMER DRAWING</p>	<p>SCALE: -</p> <p>SHEET: 1 OF 1</p> <p>REV: A2</p>