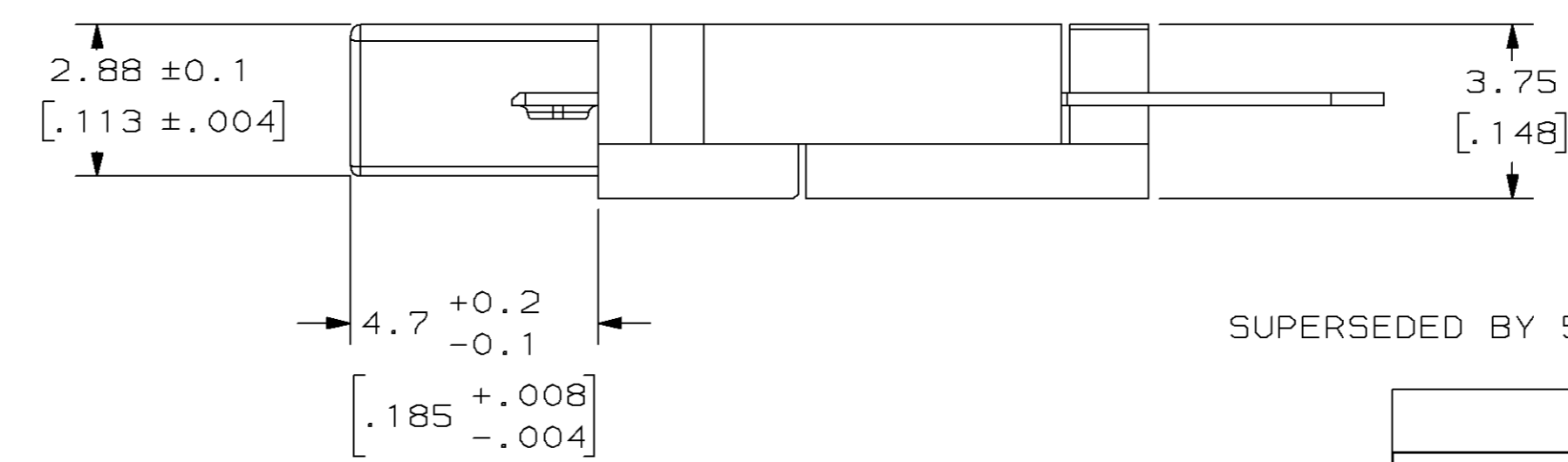
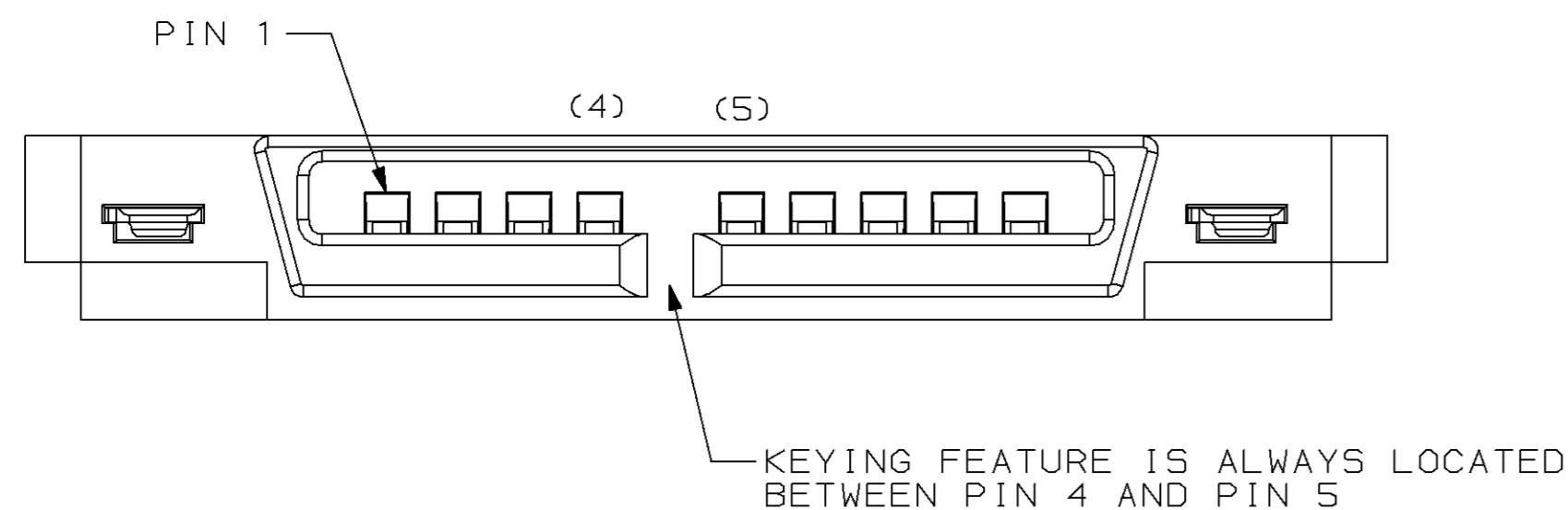
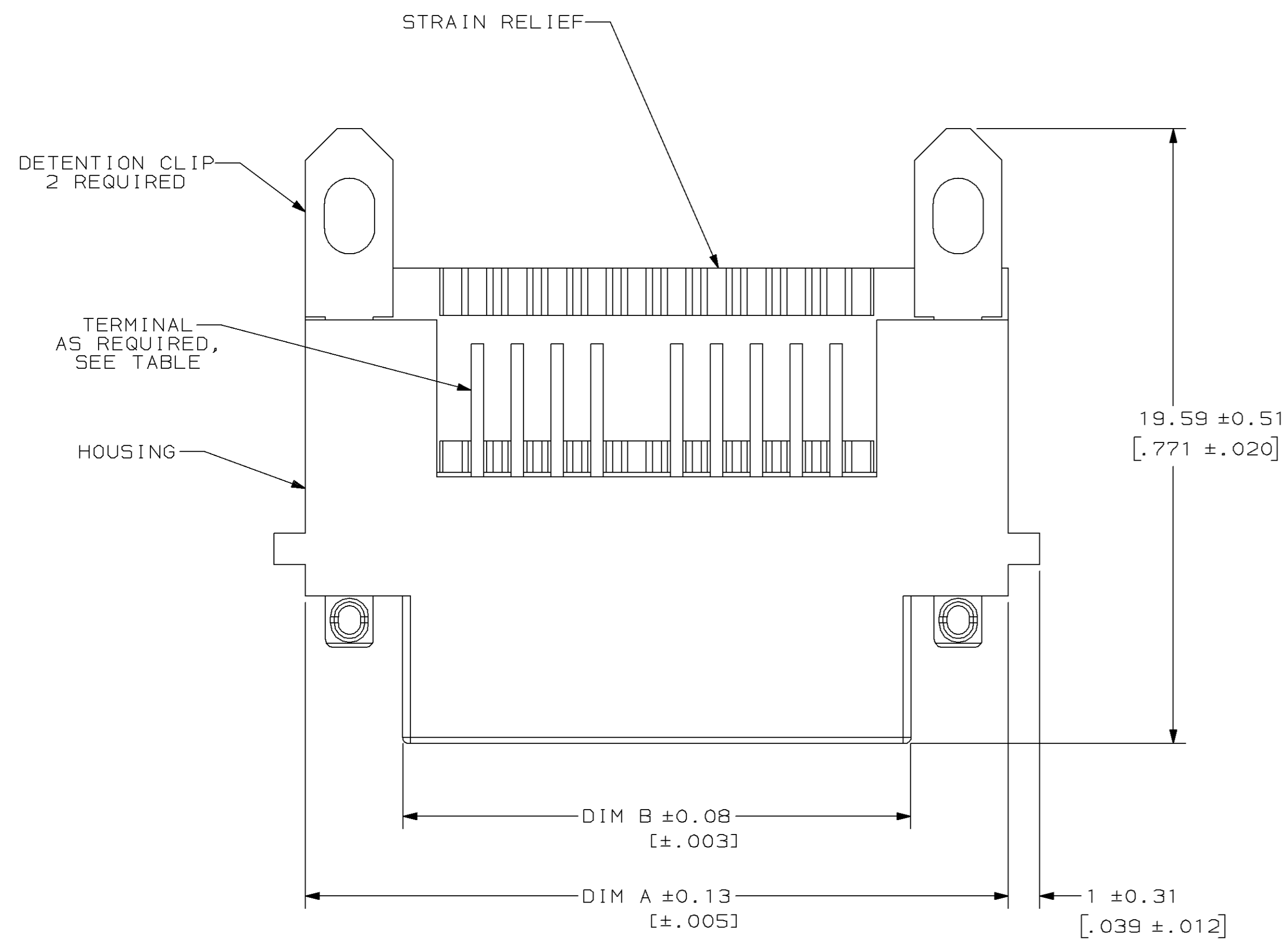
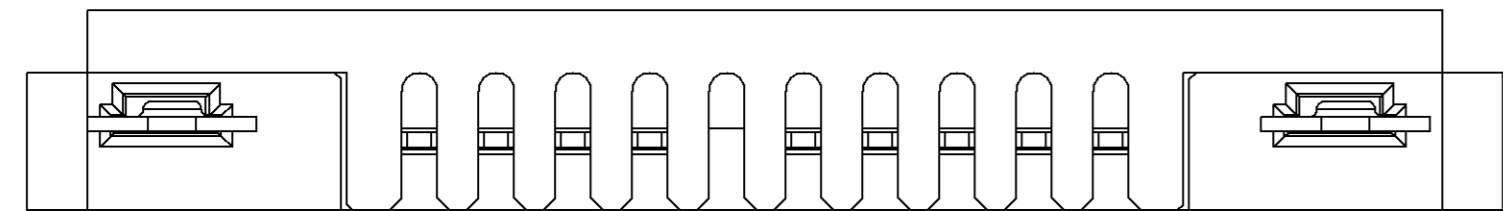


LOC		DIST		P		F		ZONE		LTR		REVISIONS		DATE	APPD
AA	23												REV; EC0210-0797-94	1-24-95	TCS



- 1. MATERIAL: HOUSING- LCP POLYESTER MOLDING COMPOUND, BLACK.
 STRAIN RELIEF - NYLON, FLAME RETARDED MOLDING COMPOUND, BLACK.
 TERMINALS- 0.254 [.010] THICK PHOSPHOR BRONZE PLATED WITH 1.27 um [.000050] MINIMUM THICK GOLD IN CONTACT AREA AND 3.8 um [.000150] MINIMUM THICK TIN-LEAD ON SOLDER TINES OVER 2.54 um [.000100] MINIMUM THICK NICKEL UNDERPLATE.
 DETENTION CLIPS- TIN-LEAD OVER NICKEL PLATED BRASS.
- 2. DIMENSIONS ARE MAXIMUM UNLESS OTHERWISE SPECIFIED.
- 3. DESIGNATIONS IN PARENTHESES () ARE FOR REFERENCE ONLY.

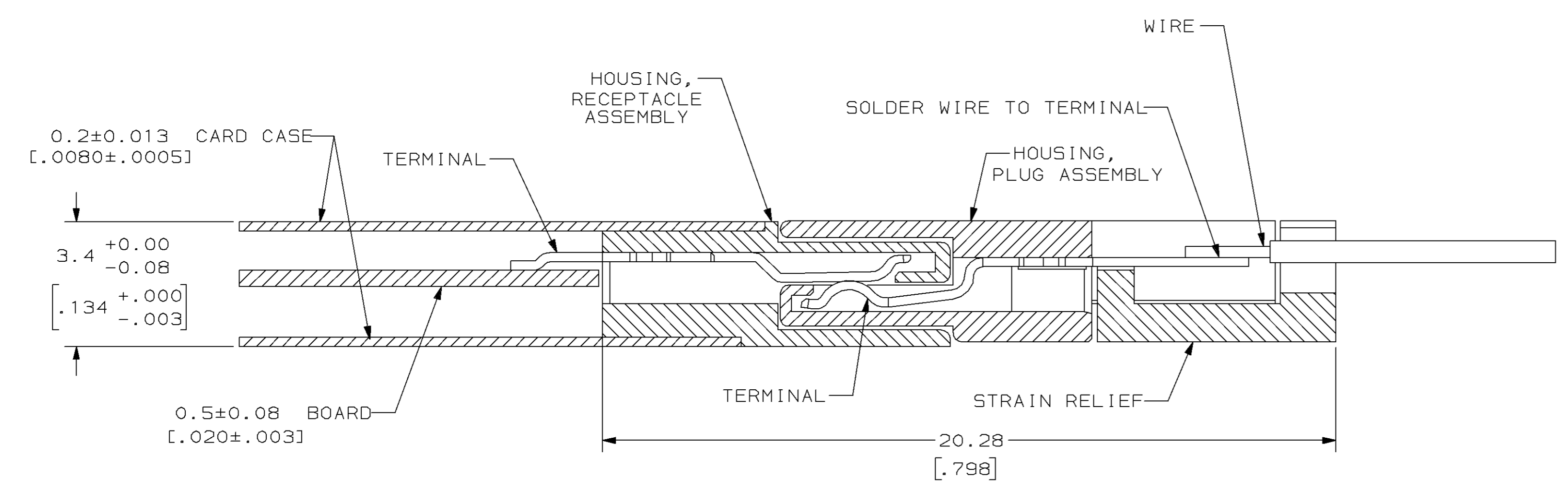
SUPERSEDED BY 558314-1

16.26 [.640]	22.4 [.882]	9 KEYED	557715-3
23.8 [.937]	30.02 [1.182]	15 KEYED	557715-2
DIM B		DIM A	
POSITIONS		PART NO	

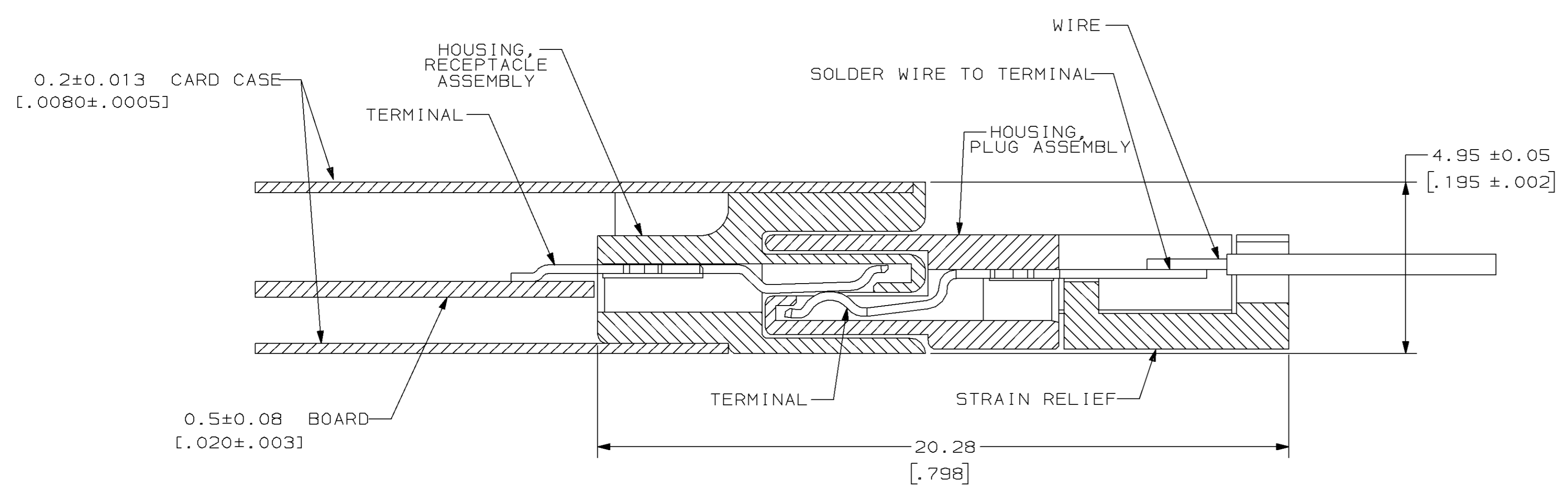
DO NOT SCALE PRINT. UNLESS SPECIFIED DIMENSIONS IN mm [INCHES] TOLERANCES ON: 2 PLC DEC ± 3 PLC DEC ± ANGLES ±	DR 6-30-92 RK BARKER	AMP Incorporated Harrisburg, PA 17105-3608
	CHK 11-5-92 D. HUSSEY	
	APPD 11-6-92 E. MARSH	
MATERIAL	APPD 11-6-92 E. MARSH	NAME
FINISH	PRODUCT SPEC	PLUG ASSEMBLY, MEMORY CARD
	APPLICATION SPEC	SIZE
	WEIGHT	CAGE CODE
		DRAWING NO
		SCALE
		SHEET

THIS DRAWING IS A CONTROLLED DOCUMENT FOR AMP INCORPORATED. IT IS SUBJECT TO CHANGE AND THE CONTROLLING ENGINEERING ORGANIZATION SHOULD BE CONTACTED FOR THE LATEST REVISION.

LOC		DIST		P		F		ZONE		LTR		REVISIONS		DATE	APPD
AA	23												SEE SHEET 1	-	-



RECEPTACLE ASSEMBLY (TYPE I) MATED TO PLUG ASSEMBLY
 SCALE 10:1



RECEPTACLE ASSEMBLY (TYPE II) MATED TO PLUG ASSEMBLY
 SCALE 10:1

THIS DRAWING IS A CONTROLLED DOCUMENT FOR AMP INCORPORATED. IT IS SUBJECT TO CHANGE AND THE CONTROLLING ENGINEERING ORGANIZATION SHOULD BE CONTACTED FOR THE LATEST REVISION.

DO NOT SCALE PRINT. UNLESS SPECIFIED DIMENSIONS IN mm [INCHES]		DR 6-30-92 RK BARKER		PART NO	
TOLERANCES ON:		CHK 11-5-92 D. HUSSEY		AMP Incorporated Harrisburg, PA 17105-3608	
2 PLC DEC ±		APPD 11-6-92 E. MARSH		NAME	
3 PLC DEC ±		APPD 11-6-92 E. MARSH		PLUG ASSEMBLY, MEMORY CARD	
ANGLES ±		PRODUCT SPEC		SIZE	
MATERIAL		APPLICATION SPEC		CAGE CODE	
FINISH		-		DRAWING NO	
WEIGHT		-		00779	
		SCALE 8:1		©-557715	
				SHEET 20F2	