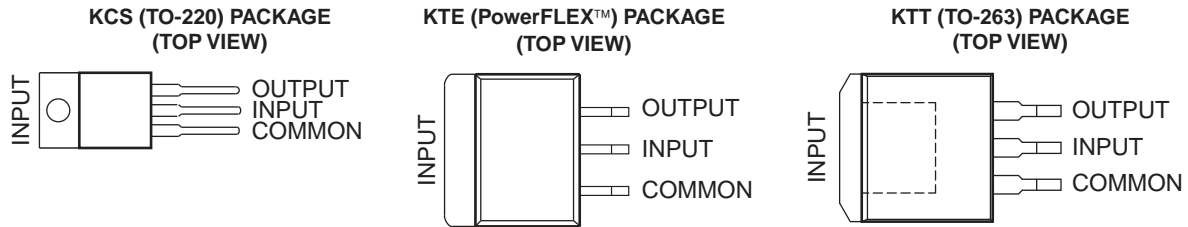


FEATURES

- 3-Terminal Regulators
- Output Current up to 1.5 A
- No External Components
- Internal Thermal-Overload Protection
- High Power-Dissipation Capability
- Internal Short-Circuit Current Limiting
- Output Transistor Safe-Area Compensation



DESCRIPTION/ORDERING INFORMATION

This series of fixed-negative-voltage integrated-circuit voltage regulators is designed to complement Series μA7900 in a wide range of applications. These applications include on-card regulation for elimination of noise and distribution problems associated with single-point regulation. Each of these regulators can deliver up to 1.5 A of output current. The internal current limiting and thermal shutdown features of these regulators essentially make them immune to overload. In addition to use as fixed-voltage regulators, these devices can be used with external components to obtain adjustable output voltages and currents and also as the power-pass element in precision regulators.

ORDERING INFORMATION⁽¹⁾

| T _J | V _{O(NOM)} | PACKAGE ⁽²⁾ | | ORDERABLE PART NUMBER | TOP-SIDE MARKING |
|----------------|---------------------|------------------------------|--------------|-----------------------|------------------|
| 0°C to 125°C | –12 V | TO-220, short shoulder – KCS | Tube of 50 | UA7912CKCS | UA7912C |
| | | PowerFLEX™ – KTE | Reel of 2000 | UA7908CKTER | UA7908C |
| | –8 V | TO-220, short shoulder – KCS | Tube of 50 | UA7908CKCS | UA7908C |
| | | PowerFLEX – KTE | Reel of 2000 | UA7905CKTER | UA7905C |
| | –5 V | TO-220, short shoulder – KCS | Tube of 50 | UA7905CKCS | UA7905C |
| | | TO-263 – KTT | Reel of 500 | UA7905CKTTR | UA7905C |

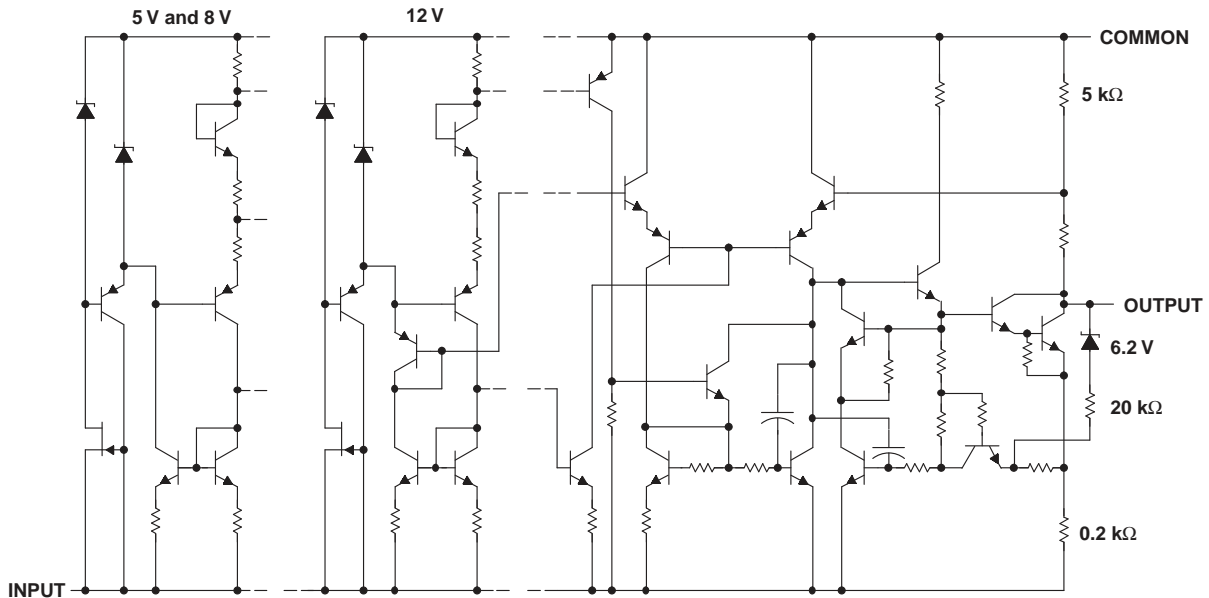
- (1) For the most current package and ordering information, see the Package Option Addendum at the end of this document, or see the TI web site at www.ti.com.
 (2) Package drawings, standard packing quantities, thermal data, symbolization, and PCB design guidelines are available at www.ti.com/sc/package.



Please be aware that an important notice concerning availability, standard warranty, and use in critical applications of Texas Instruments semiconductor products and disclaimers thereto appears at the end of this data sheet.

PowerFLEX, PowerPAD are trademarks of Texas Instruments.

SCHEMATIC



All component values are nominal.

Absolute Maximum Ratings⁽¹⁾

over virtual junction temperature range (unless otherwise noted)

| | MIN | MAX | UNIT |
|---|-----|-----|------|
| V _I Input voltage | | -35 | V |
| T _J Operating virtual junction temperature | | 150 | °C |
| T _{stg} Storage temperature range | -65 | 150 | °C |

- (1) Stresses beyond those listed under "absolute maximum ratings" may cause permanent damage to the device. These are stress ratings only, and functional operation of the device at these or any other conditions beyond those indicated under "recommended operating conditions" is not implied. Exposure to absolute-maximum-rated conditions for extended periods may affect device reliability.

Package Thermal Data⁽¹⁾

| PACKAGE | BOARD | θ _{JA} | θ _{JC} | θ _{JP} ⁽²⁾ |
|-----------------|-------------------|-----------------|-----------------|--------------------------------|
| PowerFLEX (KTE) | High K, JESD 51-5 | 23°C/W | 3°C/W | 2.7°C/W |
| TO-220 (KCS) | High K, JESD 51-5 | 19°C/W | 17°C/W | 3°C/W |
| TO-263 (KTT) | High K, JESD 51-5 | 25.3°C/W | 18°C/W | 1.94°C/W |

- (1) Maximum power dissipation is a function of T_{J(max)}, θ_{JA}, and T_A. The maximum allowable power dissipation at any allowable ambient temperature is P_D = (T_{J(max)} - T_A)/θ_{JA}. Operating at the absolute maximum T_J of 150°C can affect reliability.
 (2) For packages with exposed thermal pads, such as QFN, PowerPAD™, or PowerFLEX, θ_{JP} is defined as the thermal resistance between the die junction and the bottom of the exposed pad.

Recommended Operating Conditions

| | MIN | MAX | UNIT | |
|---|--------|-------|------|---|
| V _I Input voltage | μA7905 | -7 | -25 | V |
| | μA7908 | -10.5 | -25 | |
| | μA7912 | -14.5 | -30 | |
| I _O Output current | | 1.5 | A | |
| T _J Operating virtual junction temperature | 0 | 125 | °C | |

μA7905 Electrical Characteristics

at specified virtual junction temperature, $V_I = -10\text{ V}$, $I_O = 500\text{ mA}$ (unless otherwise noted)

| PARAMETER | TEST CONDITIONS | $T_J^{(1)}$ | μA7905C | | | UNIT |
|---|---|--------------|---------|------|-------|-------|
| | | | MIN | TYP | MAX | |
| Output voltage ⁽²⁾ | $I_O = 5\text{ mA to }1\text{ A}$, $V_I = -7\text{ V to }-20\text{ V}$, $P_D \leq 15\text{ W}$ | 25°C | -4.8 | -5 | -5.2 | V |
| | | 0°C to 125°C | -4.75 | | -5.25 | |
| Input regulation | $V_I = -7\text{ V to }-25\text{ V}$ | | | 12.5 | 50 | mV |
| | $V_I = -8\text{ V to }-12\text{ V}$ | | | 4 | 15 | |
| Ripple rejection | $V_I = -8\text{ V to }-12\text{ V}$, $f = 120\text{ Hz}$ | 0°C to 125°C | 54 | 60 | | dB |
| Output regulation | $I_O = 5\text{ mA to }1.5\text{ A}$ | | | 15 | 100 | mV |
| | $I_O = 250\text{ mA to }750\text{ mA}$ | | | 5 | 50 | |
| Temperature coefficient of output voltage | $I_O = 5\text{ mA}$ | 0°C to 125°C | | -0.4 | | mV/°C |
| Output noise voltage | $f = 10\text{ Hz to }100\text{ kHz}$ | 25°C | | 125 | | μV |
| Dropout voltage | $I_O = 1\text{ A}$ | 25°C | | 1.1 | | V |
| Bias current | | 25°C | | 1.5 | 2 | mA |
| Bias current change | $V_I = -7\text{ V to }-25\text{ V}$ | | | 0.15 | 0.5 | mA |
| | $I_O = 5\text{ mA to }1\text{ A}$ | | | 0.08 | 0.5 | |
| Peak output current | | 25°C | | 2.1 | | A |

- (1) Pulse-testing techniques maintain the junction temperature as close to the ambient temperature as possible. Thermal effects must be taken into account separately. All characteristics are measured with a 2-μF capacitor across the input and a 1-μF capacitor across the output.
- (2) This specification applies only for dc power dissipation permitted by absolute maximum ratings.

μA7908 Electrical Characteristics

at specified virtual junction temperature, $V_I = -14\text{ V}$, $I_O = 500\text{ mA}$ (unless otherwise noted)

| PARAMETER | TEST CONDITIONS | $T_J^{(1)}$ | μA7908C | | | UNIT |
|---|--|--------------|---------|------|------|-------|
| | | | MIN | TYP | MAX | |
| Output voltage ⁽²⁾ | $I_O = 5\text{ mA to }1\text{ A}$, $V_I = -10.5\text{ V to }-23\text{ V}$, $P_D \leq 15\text{ W}$ | 25°C | -7.7 | -8 | -8.3 | V |
| | | 0°C to 125°C | -7.6 | | -8.4 | |
| Input regulation | $V_I = -10.5\text{ V to }-25\text{ V}$ | | | 12.5 | 160 | mV |
| | $V_I = -11\text{ V to }-17\text{ V}$ | | | 4 | 80 | |
| Ripple rejection | $V_I = -11.5\text{ V to }-21.5\text{ V}$, $f = 120\text{ Hz}$ | 0°C to 125°C | 54 | 60 | | dB |
| Output regulation | $I_O = 5\text{ mA to }1.5\text{ A}$ | | | 15 | 160 | mV |
| | $I_O = 250\text{ mA to }750\text{ mA}$ | | | 5 | 80 | |
| Temperature coefficient of output voltage | $I_O = 5\text{ mA}$ | 0°C to 125°C | | -0.6 | | mV/°C |
| Output noise voltage | $f = 10\text{ Hz to }100\text{ kHz}$ | 25°C | | 200 | | μV |
| Dropout voltage | $I_O = 1\text{ A}$ | 25°C | | 1.1 | | V |
| Bias current | | 25°C | | 1.5 | 2 | mA |
| Bias current change | $V_I = -10.5\text{ V to }-25\text{ V}$ | | | 0.15 | 1 | mA |
| | $I_O = 5\text{ mA to }1\text{ A}$ | | | 0.08 | 0.5 | |
| Peak output current | | 25°C | | 2.1 | | A |

- (1) Pulse-testing techniques maintain the junction temperature as close to the ambient temperature as possible. Thermal effects must be taken into account separately. All characteristics are measured with a 2-μF capacitor across the input and a 1-μF capacitor across the output.
- (2) This specification applies only for dc power dissipation permitted by absolute maximum ratings.

μA7900 SERIES NEGATIVE-VOLTAGE REGULATORS

SLVS058H–JUNE 1976–REVISED NOVEMBER 2006

μA7912 Electrical Characteristics

at specified virtual junction temperature, $V_I = -19\text{ V}$, $I_O = 500\text{ mA}$ (unless otherwise noted)

| PARAMETER | TEST CONDITIONS | $T_J^{(1)}$ | μA7912C | | | UNIT |
|---|--|--------------|---------|------|-------|-------|
| | | | MIN | TYP | MAX | |
| Output voltage ⁽²⁾ | $I_O = 5\text{ mA to }1\text{ A}$, $V_I = -14.5\text{ V to }-27\text{ V}$, $P_D \leq 15\text{ W}$ | 25°C | -11.5 | -12 | -12.5 | V |
| | | 0°C to 125°C | -11.4 | | -12.6 | |
| Input regulation | $V_I = -14.5\text{ V to }-25\text{ V}$ | | | 5 | 80 | mV |
| | $V_I = -16\text{ V to }-22\text{ V}$ | | | 3 | 30 | |
| Ripple rejection | $V_I = -15\text{ V to }-25\text{ V}$, $f = 120\text{ Hz}$ | 0°C to 125°C | 54 | 60 | | dB |
| Output regulation | $I_O = 5\text{ mA to }1.5\text{ A}$ | | | 15 | 200 | mV |
| | $I_O = 250\text{ mA to }750\text{ mA}$ | | | 5 | 75 | |
| Temperature coefficient of output voltage | $I_O = 5\text{ mA}$ | 0°C to 125°C | | -0.8 | | mV/°C |
| Output noise voltage | $f = 10\text{ Hz to }100\text{ kHz}$ | 25°C | | 300 | | μV |
| Dropout voltage | $I_O = 1\text{ A}$ | 25°C | | 1.1 | | V |
| Bias current | | 25°C | | 2 | 3 | mA |
| Bias current change | $V_I = -14.5\text{ V to }-25\text{ V}$ | | | 0.04 | 0.5 | mA |
| | $I_O = 5\text{ mA to }1\text{ A}$ | | | 0.06 | 0.5 | |
| Peak output current | | 25°C | | 2.1 | | A |

- (1) Pulse-testing techniques maintain the junction temperature as close to the ambient temperature as possible. Thermal effects must be taken into account separately. All characteristics are measured with a 2-μF capacitor across the input and a 1-μF capacitor across the output.
- (2) This specification applies only for dc power dissipation permitted by absolute maximum ratings.

PACKAGING INFORMATION

| Orderable Device | Status ⁽¹⁾ | Package Type | Package Drawing | Pins | Package Qty | Eco Plan ⁽²⁾ | Lead/Ball Finish | MSL Peak Temp ⁽³⁾ |
|------------------|-----------------------|------------------|-----------------|------|-------------|-------------------------|------------------|------------------------------|
| UA7905CKC | OBSOLETE | TO-220 | KC | 3 | | TBD | Call TI | Call TI |
| UA7905CKCS | ACTIVE | TO-220 | KCS | 3 | 50 | Pb-Free (RoHS) | CU SN | N / A for Pkg Type |
| UA7905CKCSE3 | ACTIVE | TO-220 | KCS | 3 | 50 | Pb-Free (RoHS) | CU SN | N / A for Pkg Type |
| UA7905CKTER | OBSOLETE | PFM | KTE | 3 | | TBD | Call TI | Call TI |
| UA7905CKTTR | ACTIVE | DDPAK/ TO-263 | KTT | 3 | 500 | Green (RoHS & no Sb/Br) | CU SN | Level-3-245C-168 HR |
| UA7905CKTTRG3 | ACTIVE | DDPAK/ TO-263 | KTT | 3 | 500 | Green (RoHS & no Sb/Br) | CU SN | Level-3-245C-168 HR |
| UA7908CKC | OBSOLETE | TO-220 | KC | 3 | | TBD | Call TI | Call TI |
| UA7908CKCS | ACTIVE | TO-220 | KCS | 3 | 50 | Pb-Free (RoHS) | CU SN | N / A for Pkg Type |
| UA7908CKCSE3 | ACTIVE | TO-220 | KCS | 3 | 50 | Pb-Free (RoHS) | CU SN | N / A for Pkg Type |
| UA7908CKTER | OBSOLETE | PFM | KTE | 3 | | TBD | Call TI | Call TI |
| UA7912CKC | OBSOLETE | TO-220 | KC | 3 | | TBD | Call TI | Call TI |
| UA7912CKCS | OBSOLETE | TO-220 | KCS | 3 | | TBD | Call TI | Call TI |
| UA7912CKTER | OBSOLETE | PFM | KTE | 3 | | TBD | Call TI | Call TI |
| UA7915CKTER | OBSOLETE | PFM | KTE | 3 | | TBD | Call TI | Call TI |

⁽¹⁾ The marketing status values are defined as follows:

ACTIVE: Product device recommended for new designs.

LIFEBUY: TI has announced that the device will be discontinued, and a lifetime-buy period is in effect.

NRND: Not recommended for new designs. Device is in production to support existing customers, but TI does not recommend using this part in a new design.

PREVIEW: Device has been announced but is not in production. Samples may or may not be available.

OBSOLETE: TI has discontinued the production of the device.

⁽²⁾ Eco Plan - The planned eco-friendly classification: Pb-Free (RoHS), Pb-Free (RoHS Exempt), or Green (RoHS & no Sb/Br) - please check <http://www.ti.com/productcontent> for the latest availability information and additional product content details.

TBD: The Pb-Free/Green conversion plan has not been defined.

Pb-Free (RoHS): TI's terms "Lead-Free" or "Pb-Free" mean semiconductor products that are compatible with the current RoHS requirements for all 6 substances, including the requirement that lead not exceed 0.1% by weight in homogeneous materials. Where designed to be soldered at high temperatures, TI Pb-Free products are suitable for use in specified lead-free processes.

Pb-Free (RoHS Exempt): This component has a RoHS exemption for either 1) lead-based flip-chip solder bumps used between the die and package, or 2) lead-based die adhesive used between the die and leadframe. The component is otherwise considered Pb-Free (RoHS compatible) as defined above.

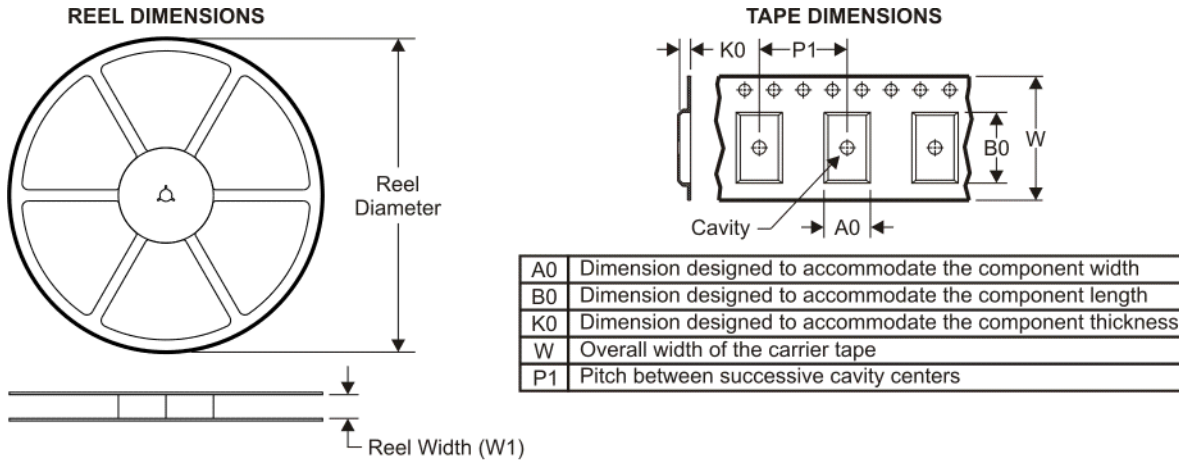
Green (RoHS & no Sb/Br): TI defines "Green" to mean Pb-Free (RoHS compatible), and free of Bromine (Br) and Antimony (Sb) based flame retardants (Br or Sb do not exceed 0.1% by weight in homogeneous material)

⁽³⁾ MSL, Peak Temp. -- The Moisture Sensitivity Level rating according to the JEDEC industry standard classifications, and peak solder temperature.

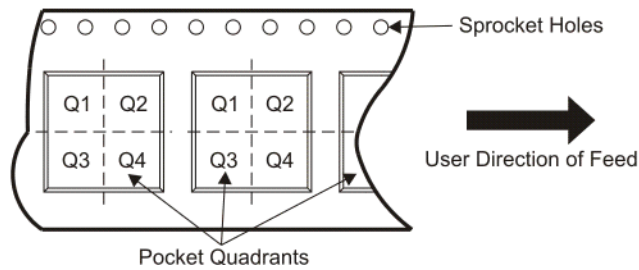
Important Information and Disclaimer:The information provided on this page represents TI's knowledge and belief as of the date that it is provided. TI bases its knowledge and belief on information provided by third parties, and makes no representation or warranty as to the accuracy of such information. Efforts are underway to better integrate information from third parties. TI has taken and continues to take reasonable steps to provide representative and accurate information but may not have conducted destructive testing or chemical analysis on incoming materials and chemicals. TI and TI suppliers consider certain information to be proprietary, and thus CAS numbers and other limited information may not be available for release.

In no event shall TI's liability arising out of such information exceed the total purchase price of the TI part(s) at issue in this document sold by TI to Customer on an annual basis.

TAPE AND REEL INFORMATION



QUADRANT ASSIGNMENTS FOR PIN 1 ORIENTATION IN TAPE



*All dimensions are nominal

| Device | Package Type | Package Drawing | Pins | SPQ | Reel Diameter (mm) | Reel Width W1 (mm) | A0 (mm) | B0 (mm) | K0 (mm) | P1 (mm) | W (mm) | Pin1 Quadrant |
|-------------|--------------|-----------------|------|-----|--------------------|--------------------|---------|---------|---------|---------|--------|---------------|
| UA7905CKTTR | DDPAK/TO-263 | KTT | 3 | 500 | 330.0 | 24.4 | 10.6 | 15.8 | 4.9 | 16.0 | 24.0 | Q2 |

TAPE AND REEL BOX DIMENSIONS

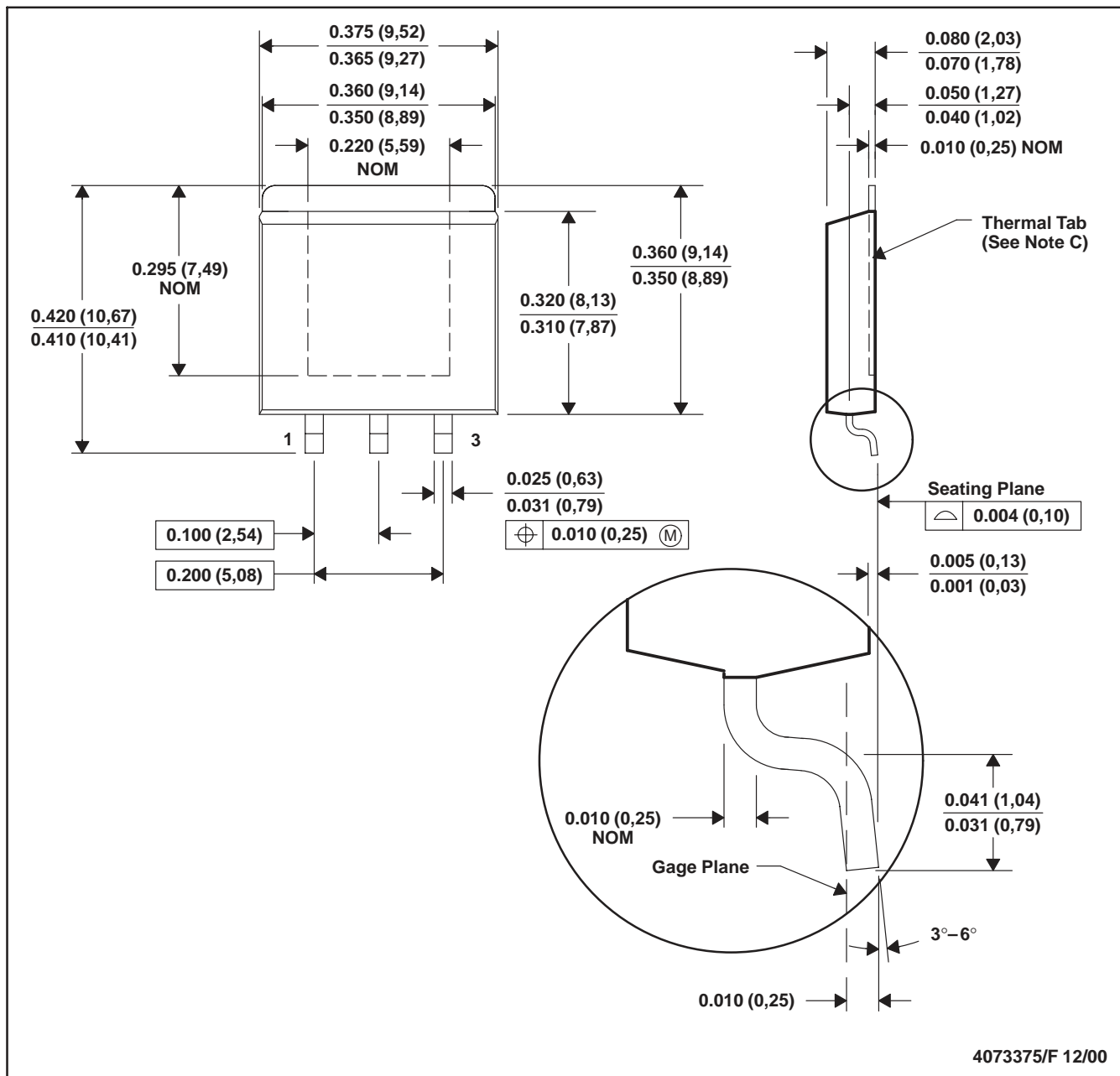


*All dimensions are nominal

| Device | Package Type | Package Drawing | Pins | SPQ | Length (mm) | Width (mm) | Height (mm) |
|-------------|--------------|-----------------|------|-----|-------------|------------|-------------|
| UA7905CKTTR | DDPAK/TO-263 | KTT | 3 | 500 | 340.0 | 340.0 | 38.0 |

KTE (R-PSFM-G3)

PowerFLEX™ PLASTIC FLANGE-MOUNT



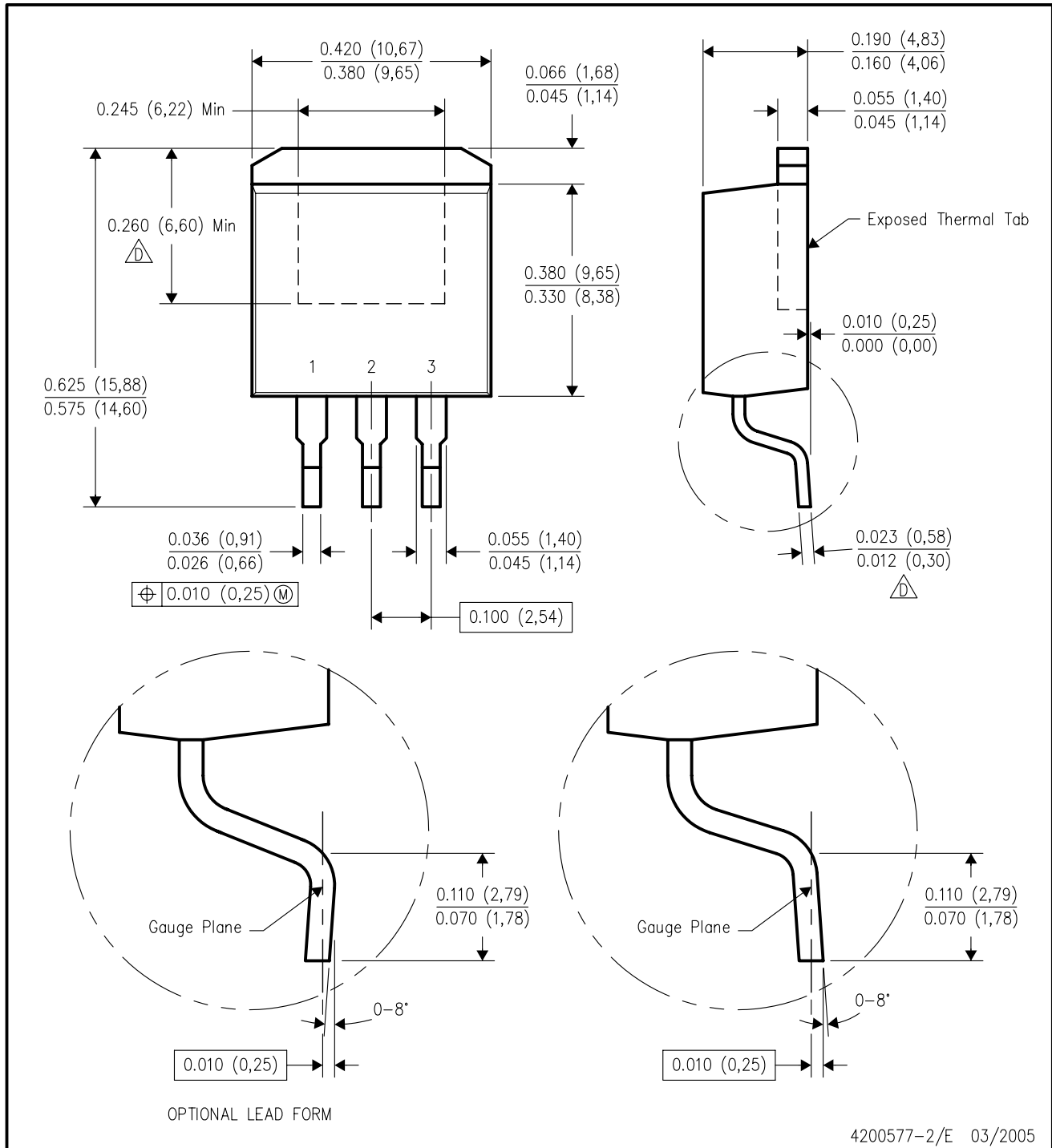
- NOTES: A. All linear dimensions are in inches (millimeters).
 B. This drawing is subject to change without notice.
 C. The center lead is in electrical contact with the thermal tab.
 D. Dimensions do not include mold protrusions, not to exceed 0.006 (0,15).
 E. Falls within JEDEC MO-169

PowerFLEX is a trademark of Texas Instruments.



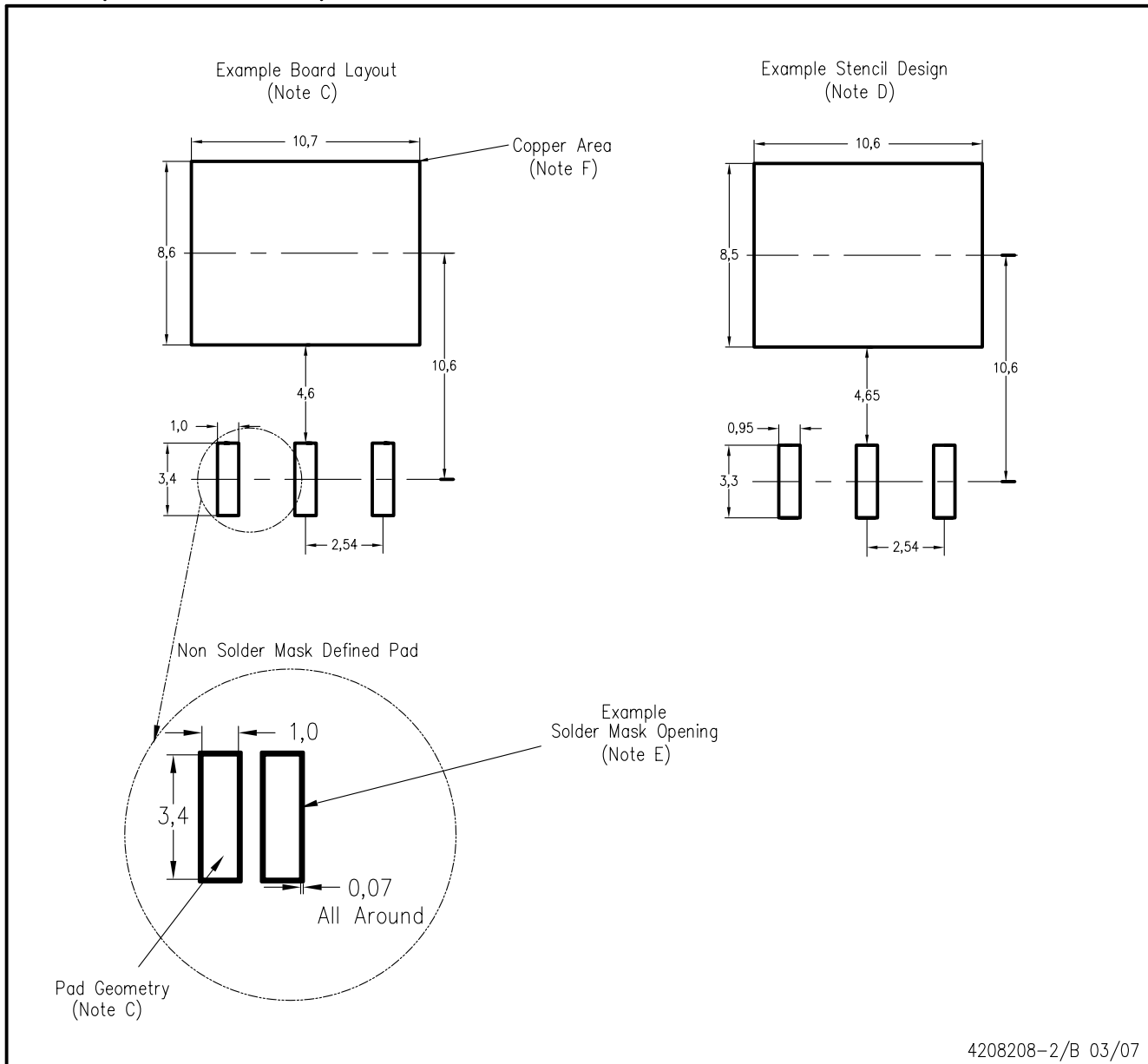
KTT (R-PSFM-G3)

PLASTIC FLANGE-MOUNT PACKAGE



- NOTES:
- A. All linear dimensions are in inches (millimeters).
 - B. This drawing is subject to change without notice.
 - C. Body dimensions do not include mold flash or protrusion. Mold flash or protrusion not to exceed 0.005 (0,13) per side.
- △ Falls within JEDEC TO-263 variation AA, except minimum lead thickness and minimum exposed pad length.

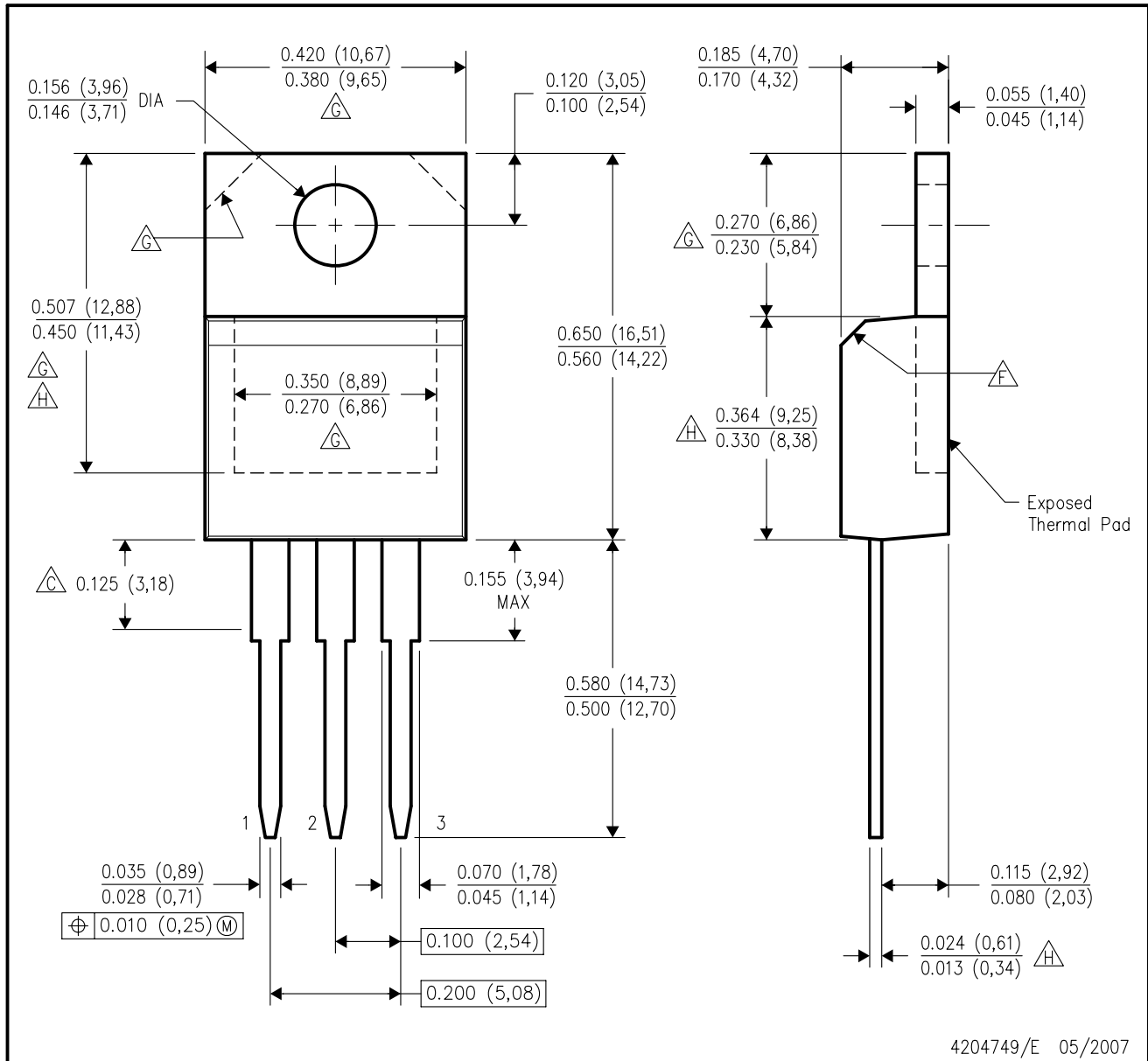
KTT (R-PSFM-G3)



- NOTES:
- All linear dimensions are in millimeters.
 - This drawing is subject to change without notice.
 - Publication IPC-SM-782 is recommended for alternate designs.
 - Laser cutting apertures with trapezoidal walls and also rounding corners will offer better paste release. Customers should contact their board assembly site for stencil design recommendations. Refer to IPC-7525.
 - Customers should contact their board fabrication site for solder mask tolerances between and around signal pads.
 - This package is designed to be soldered to a thermal pad on the board. Refer to the Product Datasheet for specific thermal information, via requirements, and recommended thermal pad size. For thermal pad sizes larger than shown a solder mask defined pad is recommended in order to maintain the solderable pad geometry while increasing copper area.

KCS (R-PSFM-T3)

PLASTIC FLANGE-MOUNT PACKAGE



- NOTES:
- A. All linear dimensions are in inches (millimeters).
 - B. This drawing is subject to change without notice.
 - $\triangle C$ Lead dimensions are not controlled within this area.
 - D. All lead dimensions apply before solder dip.
 - E. The center lead is in electrical contact with the mounting tab.
 - $\triangle F$ The chamfer is optional.
 - $\triangle G$ Thermal pad contour optional within these dimensions.
 - $\triangle H$ Falls within JEDEC TO-220 variation AB, except minimum lead thickness, minimum exposed pad length, and maximum body length.

IMPORTANT NOTICE

Texas Instruments Incorporated and its subsidiaries (TI) reserve the right to make corrections, modifications, enhancements, improvements, and other changes to its products and services at any time and to discontinue any product or service without notice. Customers should obtain the latest relevant information before placing orders and should verify that such information is current and complete. All products are sold subject to TI's terms and conditions of sale supplied at the time of order acknowledgment.

TI warrants performance of its hardware products to the specifications applicable at the time of sale in accordance with TI's standard warranty. Testing and other quality control techniques are used to the extent TI deems necessary to support this warranty. Except where mandated by government requirements, testing of all parameters of each product is not necessarily performed.

TI assumes no liability for applications assistance or customer product design. Customers are responsible for their products and applications using TI components. To minimize the risks associated with customer products and applications, customers should provide adequate design and operating safeguards.

TI does not warrant or represent that any license, either express or implied, is granted under any TI patent right, copyright, mask work right, or other TI intellectual property right relating to any combination, machine, or process in which TI products or services are used. Information published by TI regarding third-party products or services does not constitute a license from TI to use such products or services or a warranty or endorsement thereof. Use of such information may require a license from a third party under the patents or other intellectual property of the third party, or a license from TI under the patents or other intellectual property of TI.

Reproduction of TI information in TI data books or data sheets is permissible only if reproduction is without alteration and is accompanied by all associated warranties, conditions, limitations, and notices. Reproduction of this information with alteration is an unfair and deceptive business practice. TI is not responsible or liable for such altered documentation. Information of third parties may be subject to additional restrictions.

Resale of TI products or services with statements different from or beyond the parameters stated by TI for that product or service voids all express and any implied warranties for the associated TI product or service and is an unfair and deceptive business practice. TI is not responsible or liable for any such statements.

TI products are not authorized for use in safety-critical applications (such as life support) where a failure of the TI product would reasonably be expected to cause severe personal injury or death, unless officers of the parties have executed an agreement specifically governing such use. Buyers represent that they have all necessary expertise in the safety and regulatory ramifications of their applications, and acknowledge and agree that they are solely responsible for all legal, regulatory and safety-related requirements concerning their products and any use of TI products in such safety-critical applications, notwithstanding any applications-related information or support that may be provided by TI. Further, Buyers must fully indemnify TI and its representatives against any damages arising out of the use of TI products in such safety-critical applications.

TI products are neither designed nor intended for use in military/aerospace applications or environments unless the TI products are specifically designated by TI as military-grade or "enhanced plastic." Only products designated by TI as military-grade meet military specifications. Buyers acknowledge and agree that any such use of TI products which TI has not designated as military-grade is solely at the Buyer's risk, and that they are solely responsible for compliance with all legal and regulatory requirements in connection with such use.

TI products are neither designed nor intended for use in automotive applications or environments unless the specific TI products are designated by TI as compliant with ISO/TS 16949 requirements. Buyers acknowledge and agree that, if they use any non-designated products in automotive applications, TI will not be responsible for any failure to meet such requirements.

Following are URLs where you can obtain information on other Texas Instruments products and application solutions:

Products

| | |
|-----------------------------|--|
| Amplifiers | amplifier.ti.com |
| Data Converters | dataconverter.ti.com |
| DLP® Products | www.dlp.com |
| DSP | dsp.ti.com |
| Clocks and Timers | www.ti.com/clocks |
| Interface | interface.ti.com |
| Logic | logic.ti.com |
| Power Mgmt | power.ti.com |
| Microcontrollers | microcontroller.ti.com |
| RFID | www.ti-rfid.com |
| RF/IF and ZigBee® Solutions | www.ti.com/lprf |

Applications

| | |
|--------------------|--|
| Audio | www.ti.com/audio |
| Automotive | www.ti.com/automotive |
| Broadband | www.ti.com/broadband |
| Digital Control | www.ti.com/digitalcontrol |
| Medical | www.ti.com/medical |
| Military | www.ti.com/military |
| Optical Networking | www.ti.com/opticalnetwork |
| Security | www.ti.com/security |
| Telephony | www.ti.com/telephony |
| Video & Imaging | www.ti.com/video |
| Wireless | www.ti.com/wireless |

Mailing Address: Texas Instruments, Post Office Box 655303, Dallas, Texas 75265
Copyright © 2009, Texas Instruments Incorporated