



CAB460RF: I-PEX MHF 4L PLUG + FRONT MOUNT SMA S/T BULKHEAD JACK WITH O-RING RATED TO IP67/68 + MULTIPLE CABLE SIZES, 6GHz

SPECIFICATIONS :

- I-PEX MHF 4L PLUG, P/N:
FOR $\phi 1.13\text{MM}$ CABLE: 20565-001R-13.
FOR $\phi 1.37\text{MM}$ LL CABLE: 20632-001R-37.
- COAXIAL CABLE, SEE P/N OPTIONS FOR DETAIL.
- FRONT MOUNT SMA STRAIGHT BULKHEAD JACK WITH O-RING RATED TO IP67/68, P/N: RFCT-SMA087-F78.

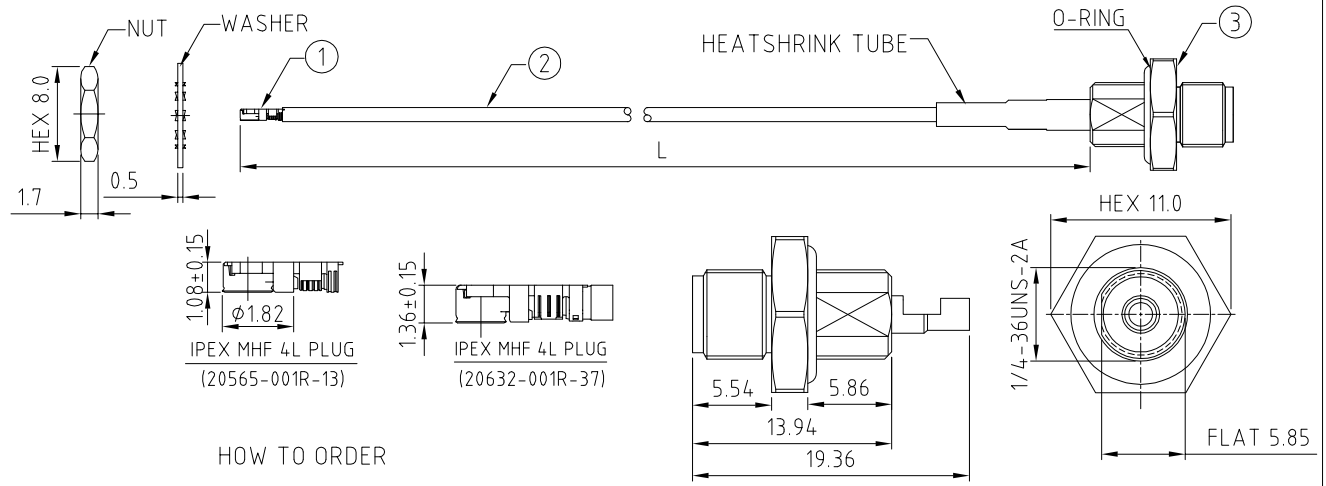
USAGE PRECAUTIONS: CABLES USING 'MICRO' COAX ARE DELICATE:
 (i) HANDLE WITH CARE.
 (ii) DO NOT TWIST; APPLY EXCESSIVE FORCES OR SHARP BENDS TO THE CABLE. DO NOT FORCEFULLY DEFORM WIRES.
 (iii) CONSULT CONNECTOR MANUFACTURER'S DATASHEETS FOR DETAILED NOTES ON HANDLING INSTRUCTIONS.

ENVIRONMENTAL:

- A. BULKHEAD MOUNTED CONNECTOR (RFCT-SMA087-F78) RATED TO THE FOLLOWING SPECIFICATION:
- IP6X - DUST TIGHT - NO PARTICLE INGRESS.
 - IPX7 WATERPROOF FOR 30 MINUTES UP TO 1 METER UNDERWATER.
 - IPX8 WATERPROOF FOR 48 HOURS AT 1 METER UNDERWATER.

NOTES:

- THE ORIENTATION OF CONNECTORS ON DRAWING IS FOR REFERENCE ONLY, IF THE ORDER IS LEFT BLANK THE CONNECTOR WILL NOT HAVE FIXED ORIENTATION.
- FIXED ORIENTATION IS SUGGESTED FOR CABLE LENGTH 50MM TO 100MM. PLEASE SPECIFY THE FIXED ORIENTATIONS FROM THE ORDER CODE (F1, F2, ETC)
- CONTACT GRADCONN IF THE ORIENTATION YOU REQUIRE IS NOT SHOWN.
- WORKING FREQUENCY RANGE: DC-6GHz.
- OPERATING TEMPERATURE: -40°C ~ $+85^{\circ}\text{C}$.
- IMPEDANCE: 50 OHM.
- IT IS INTENDED THAT MOUNTING OF THIS CONNECTOR IS ACHIEVED USING THE NUT AND WASHER PROVIDED. PLEASE CONTACT GRADCONN FOR ADVISE IF PLANNING TO USE A DIFFERENT METHOD OF MOUNTING.



HOW TO ORDER

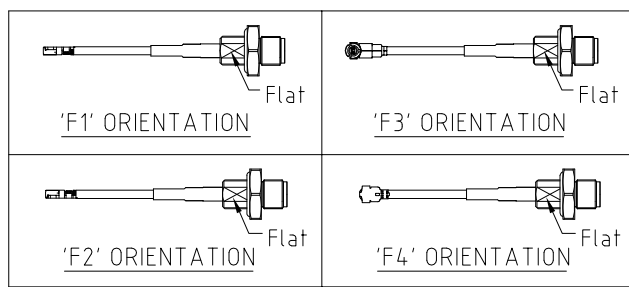
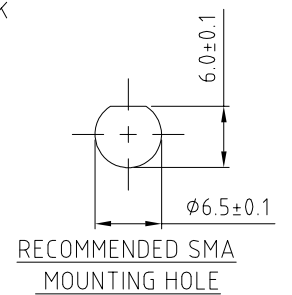
CAB460RF - X X X X - X X - X - X

"L" LENGTH IN MM:
 eg: 100MM = 0100
 (MIN. 0050-MAX.0400)
 STANDARD = 0100, 1050, 0200
 Tolerance: 50-200mm: $\pm 5\text{mm}$.
 201-400mm: $\pm 7\text{mm}$.

CABLE SIZE OPTION:
 1 = $\phi 1.13\text{MM}$ CABLE, COLOR: BLACK
 2 = $\phi 1.37\text{MM}$ LOW LOSS CABLE, COLOR: BLACK

WASHER AND NUT OPTIONS:
 BLANK = SEPARATELY PACKED (STANDARD)
 A = ALL ASSEMBLED WITH CONNECTOR

SMA DETAIL DRAWING



ORIENTATION OPTIONS:
 BLANK = DOES NOT HAVE A FIXED ORIENTATION
 F1 = MHF CONNECTION DOWN (L=50-200MM)
 F2 = MHF CONNECTION UP (L=50-200MM)
 F3 = MHF CONNECTION AND D FLAT SAME ORIENTATION (L=50-200MM)
 F4 = MHF CONNECTION AND D FLAT OPPOSITE ORIENTATION (L=50-200MM)
 (SEE NOTES 1, 2, 3 AND DIAGRAMS FOR MORE INFORMATION)

REV. DATE & DRN
 10. 28/04/21 - NYW RELEASE
 11. 30/08/22 - NYW
 ADD CABLE SIZE OPTION 2.
 12. 22/02/23 - NYW
 ADD 20632-001R-37 DRAWING.

Scale: NTS	THIRD ANGLE	Unstated: .X N/A .XX N/A .XXX N/A	Tolerances: ANGLES N/A
Drawn: NYW			
App'd: XXX	Title: CABLE ASSEMBLY		
Date: 22 FEB. '23	Revision: 12	Unit: mm	

IP67/68 Rated Cables www.gradconn.com

Drawing Number: CAB460RF	
Sheet 1	of 1
Drawing (C)	E and O E