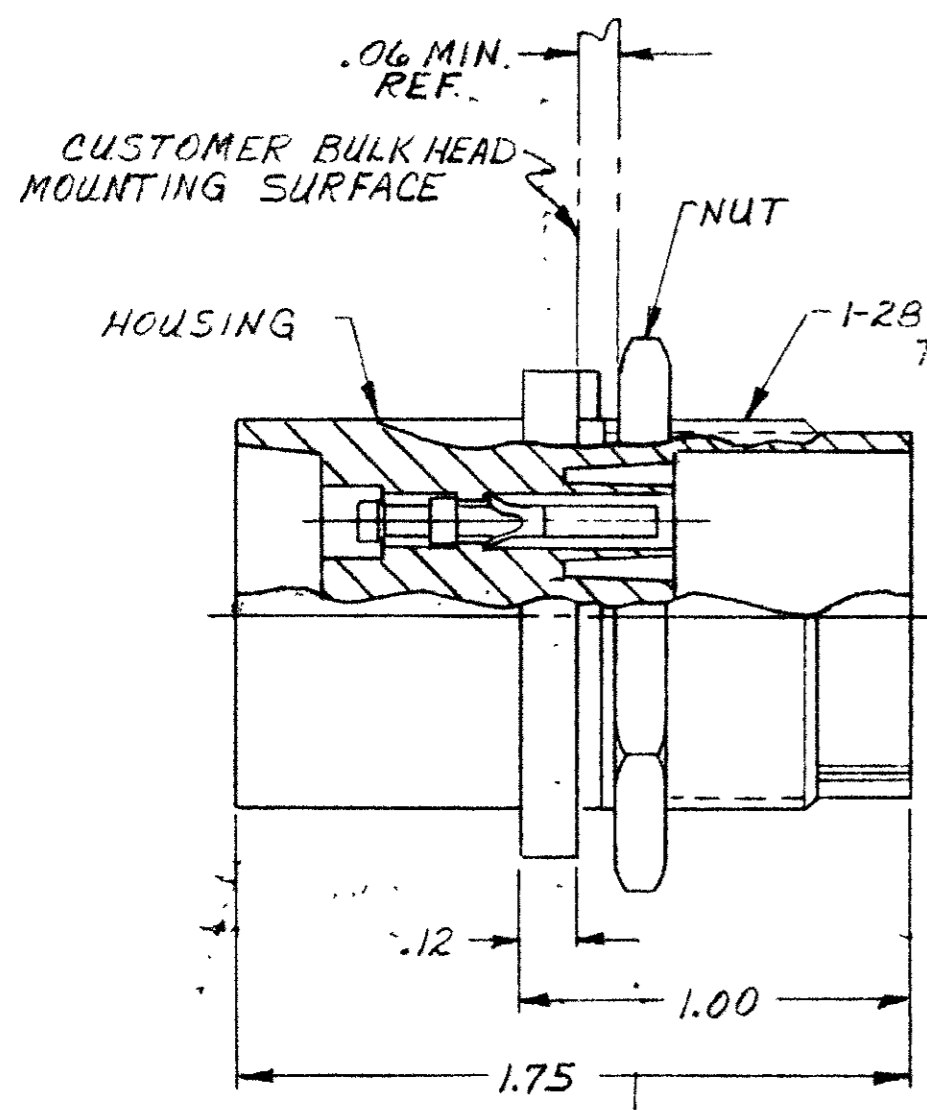


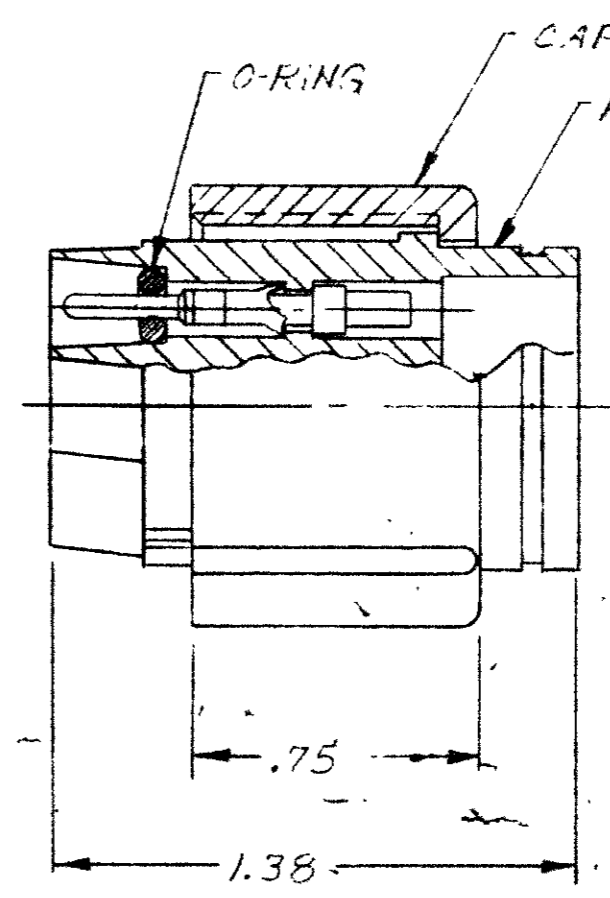
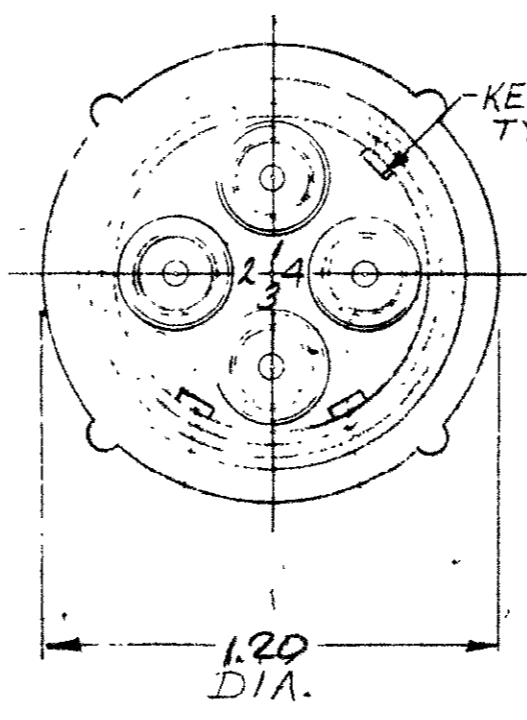
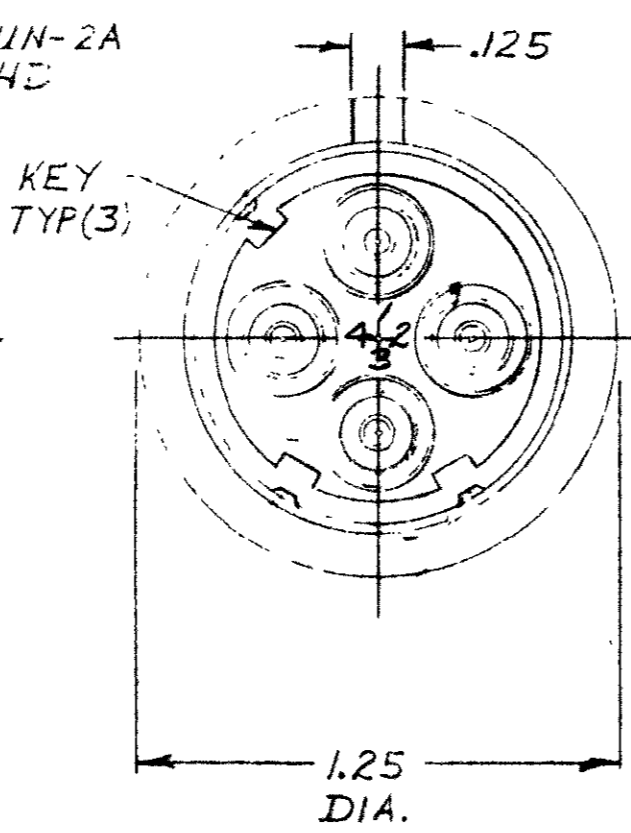
© 1966 BY AMP INCORPORATED. ALL RIGHTS RESERVED. AMP PRODUCTS COVERED BY PATENTS AND/OR PATENTS PENDING.

THIS PRODUCT DESIGNED AND BUILT BY AMP INCORPORATED. NO LICENSE TO USE THAT DESIGN IN MANUFACTURE, OR TO USE ANY ISSUED OR PENDING PATENTS WHICH ARE INVOLVED, IS IMPLIED.

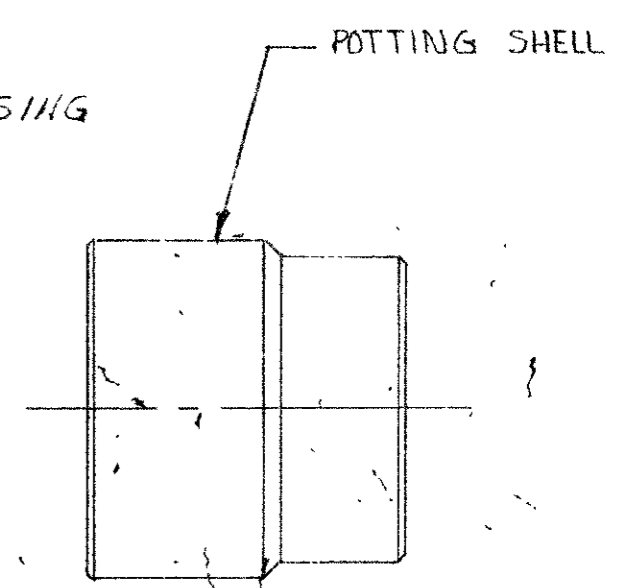
REVISIONS				
ZONE	LTR	DESCRIPTION	DATE	APPROVED
B-3	A	REV. P/N 859526 WAS -1, -2, -3	7/26/77	M.G.
	B	REV. P/N 0419-120-04	10-04	CT



RECEPTACLE



PLUG

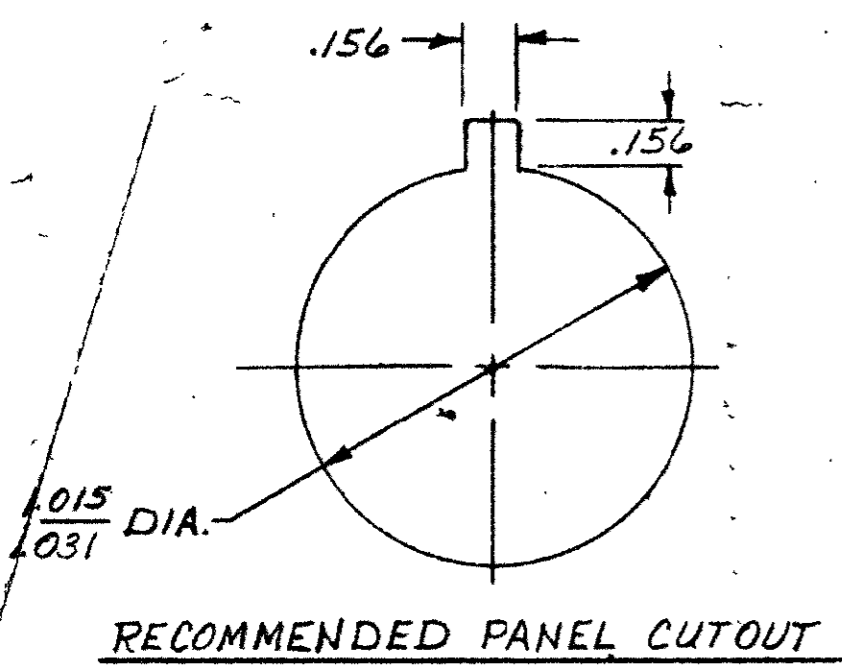


POTTING SHELL

AMP P/N	RECEPTACLE	PLUG	WIRE SIZE RANGE	HAND TOOL
863017-1	859526-4	863022-1	20, 22, 24	45099
863017-2	859526-5	863022-2	18, 16	45098
863017-3	859526-6	863022-3	14	45093

NOTE:

- 1. PINS & SOCKETS SUPPLIED SEPARATELY IN PLASTIC BAG.
- 2. TYPE II PINS & SOCKETS TO ACCEPT ONE (1) 20 AWG, (1) 22 AWG, OR (1) 24 AWG STRANDED WIRE
- 3. TYPE II PINS & SOCKETS TO ACCEPT ONE (1) 16 AWG OR (1) 18 AWG STRANDED WIRE
- 4. TYPE II PINS & SOCKETS TO ACCEPT ONE (1) 14 AWG STRANDED WIRE.



RECOMMENDED PANEL CUTOUT

QTY REQD	QTY REQD	ITEM NO.	DWG SIZE	PART OR IDENTIFYING NO.	NOMENCLATURE OR DESCRIPTION	SYMBOL
-2	-1					

UNLESS OTHERWISE SPECIFIED: DIMENSIONS ARE IN INCHES TOLERANCES		CONTRACT NO.	
.00 ±	ANGLES =	DR	DICK STONE 3-1-76
.000 ±		CHK	
MATERIAL: MOLDED PLASTIC		AMP INCORPORATED CAPITRON DIVISION ELIZABETHTOWN, PENNSYLVANIA	
FINISH: BLACK		NAME: 4 PIN PLUG & RECEPTACLE KIT	
NEXT ASSY		DSGN APPD	SIZE: C
FINAL ASSY		OTHER APPD	CODE IDENT NO.: 00779
NEXT ASSY			NUMBER: 863017
USED ON			SCALE: 2-1
QTY/REQD		APPLICATION	
		SHEET 10 OF 10	