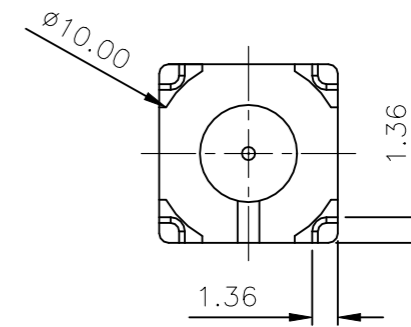
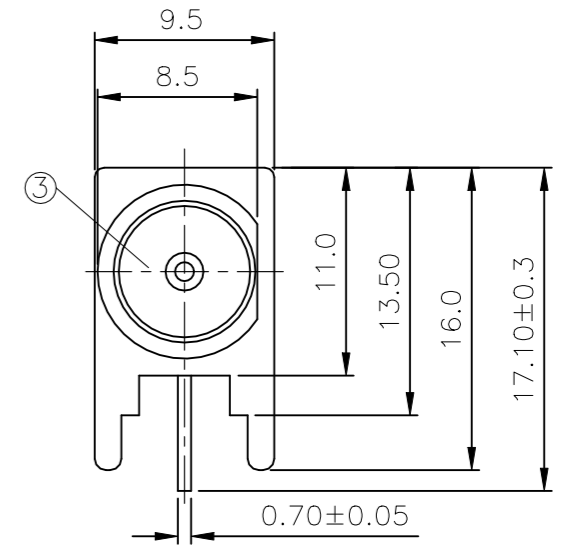
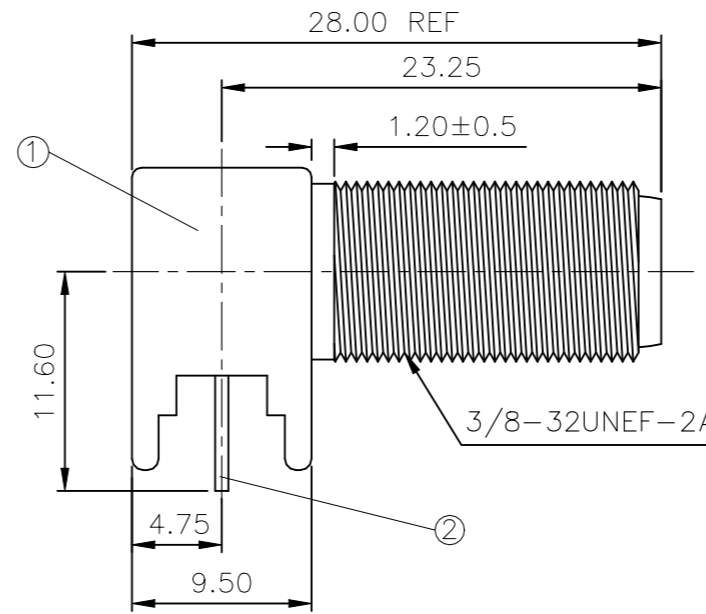
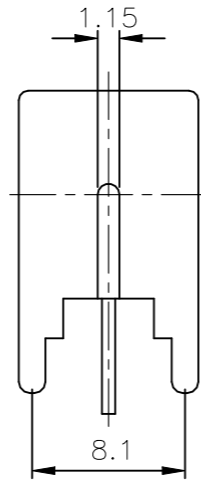


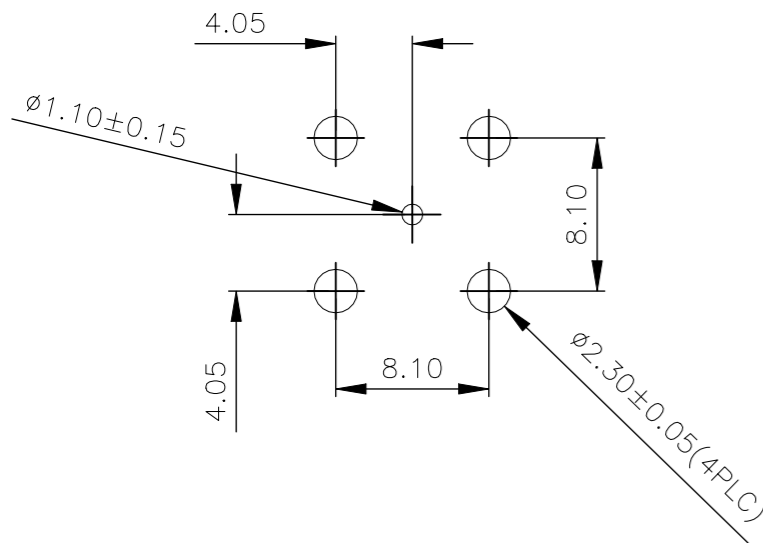
P	LTR	DESCRIPTION	DATE	DWN	APVD
C3		REVISED PER ECN-21-114705	26AUG2021	RZ	WK

NOTES

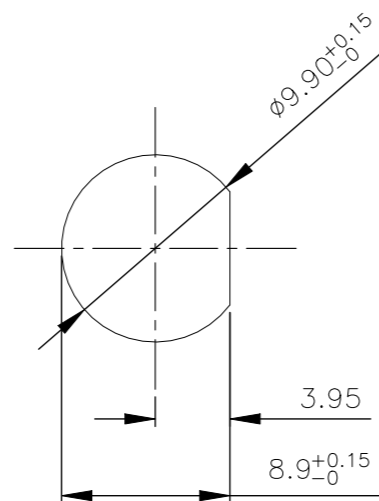
- ① PACKAGING: 50 PCS/TRAY, 20 TRAYS/CTN
- ② PACKAGING: SINGLE PACK, 1PC/BAG, 100 BAGS/BOX, 10 BOXES/CTN
- ③ TIN PLATING
- ④ Ni PLATING
- ⑤ PACKAGING: 100 PCS/BAG, 1BAG/BOX, 10 BOXES/CTN



RECOMMENDED PCB LAYOUT WITH MOUNTING POSTS



RECOMMENDED MOUNTING HOLE



QTY	QTY PER ASSY	PARTS LIST	DESCRIPTION	ITEM
1	1	TPX	INSULATOR	3
1	1	PHOS BRONZE	CONTACT	2
1	1	ZINC ALLOY	BODY	1
5--2	5--1	5--0	MATERIAL	DESCRIPTION
⑤	②	①		

THIS DRAWING IS A CONTROLLED DOCUMENT.		DWN ANSON MA 14FEB09	STE TE Connectivity		
		CHK RITA ZUO 14FEB09			
		APVD BOB ZHAO 14FEB09	NAME		
		PRODUCT SPEC 108-112000	F SERIES CONNECTOR ELBOW JACK PCB		
		APPLICATION SPEC	-		
		WEIGHT 0.000000	SIZE A3	CAGE CODE 00779	DRAWING NO C-1634540
		CUSTOMER DRAWING	SCALE NTS	SHEET 1 OF 1	REV C3