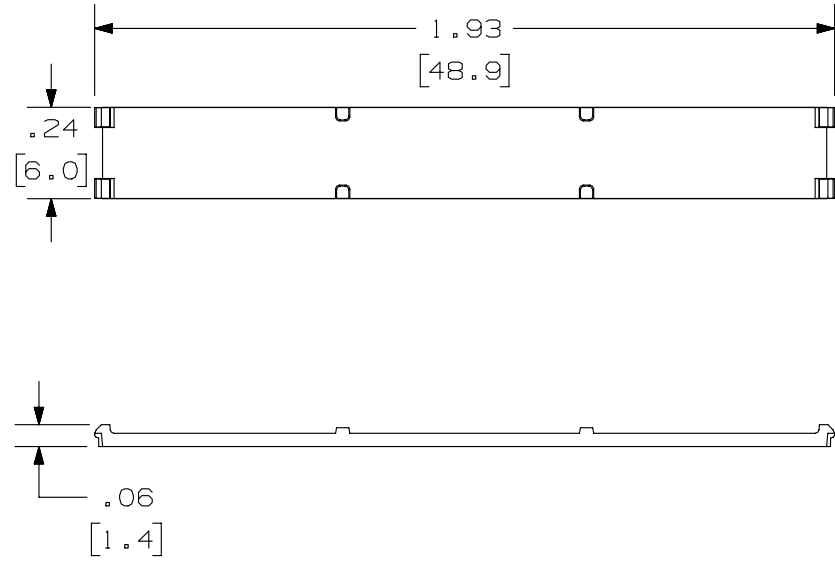
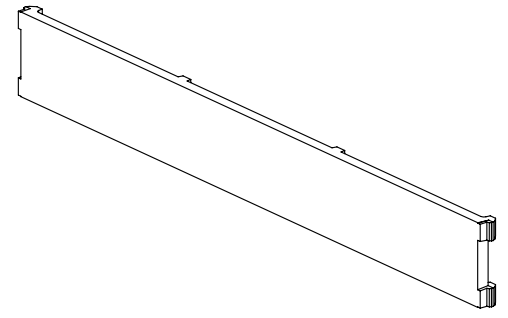


THIS COPY IS PROVIDED ON A RESTRICTED BASIS AND IS NOT TO BE USED IN ANY WAY DETRIMENTAL TO THE INTERESTS OF PANDUIT CORP.

PANDUIT P/N	WEIGHT
UILC3**-X	.006 LB/10 PCS (2.6 g/10 PCS)
UILC3**-L	.029 LB/50 PCS (13.0 g/50 PCS)



- NOTES:
- SEE CURRENT CATALOG FOR ADDITIONAL PART NUMBER SUFFIXES TO INDICATE COLOR.
 - SEE CATALOG FOR COMPLETE LIST OF PARTS APPLICABLE FOR USE WITH THIS PART.
 - DIMENSIONS IN () ARE IN METRIC.



PART NUMBER		UILC3**-X, UILC3**-L	
TITLE			
ULTIMATE ID 3 POSITION REPLACEMENT LABEL COVER			
CUSTOMER DRAWING			
ITEM REVISION NAME		M01283BC/05	
DATASET FILE NAME		M01283BC_DC/05B	
UNLESS OTHERWISE SPECIFIED, DIMENSIONAL TOLERANCES ARE: IN (mm)		MATERIAL:	
.X ± .XX ± .03 (.8)		CLEAR: POLYSTYRENE OTHER COLORS: ABS	
.XXX ± .010 (.3)		DRAWING NUMBER:	
ANGLES ±		01283-07	
THIRD ANGLE PROJECTION		SHT 1 OF 1	
DRAWN BY	DATE	CHK	SCALE
JSP	11-26-02	MJD	NONE
REV	DATE	BY	APR
1	5/16/14	JSP	REFR
2	11-26-02	JSP	MJD

REV	DATE	BY	CHK	APR	DESCRIPTION	ECN
1	5/16/14	JSP	REFR	MMR	A. REVISED DRAWING TITLE BLOCK.	01283-07
R	11-26-02	JSP	MJD	MJD	RELEASED TO PRODUCTION	01283-07

D10100DA/14