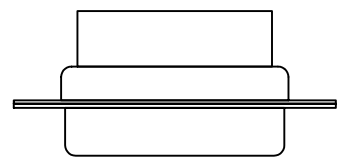
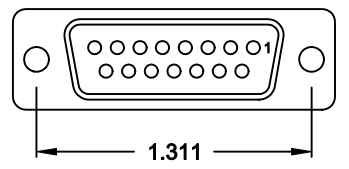
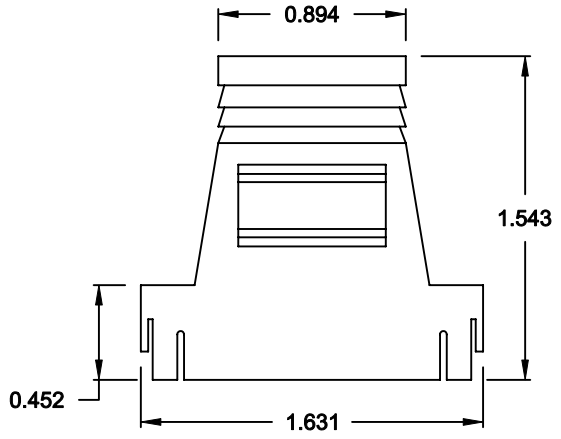
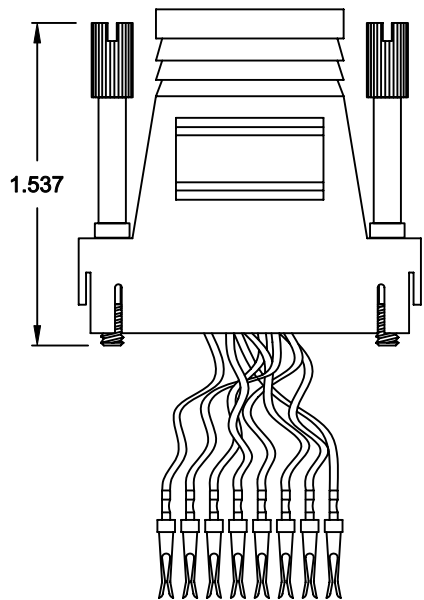
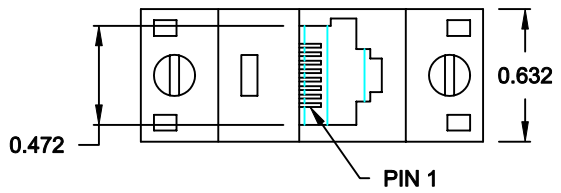


DESCRIPTION: RJ-45 TO 15-POSITION FEMALE D-SUB - PLASTIC & METALIZED PLASTIC

MATERIAL:

HOOD: ABS UL 94V-HB

RJADK15S70808Y1



- SERIES _____
- POSITIONS _____
- 15
- GENDER _____
- S = FEMALE
- D-SUB TERMINALS _____
- 7 = CRIMP & POKE (CONTACTS PRE-CRIMPED)
- MODULAR POSITIONS _____
- 08
- MODULAR POSITIONS LOADED _____
- 08
- COLOR _____
- 1 = BLACK
- 2 = METALIZED (SHIELD RATING: 60dB)
- 3 = GRAY
- D-SUB CONTACT PLATING _____
- 1 = GOLD FLASH

RJ45	DB-15F
<ul style="list-style-type: none"> 1. BLUE 2. ORANGE 3. BLACK 4. RED 5. GREEN 6. YELLOW 7. BROWN 8. WHITE 	<p style="text-align: center;">FRONT VIEW</p>

DO NOT SCALE FROM DRAWING

RoHS COMPLIANT

	THESE DRAWINGS AND SPECIFICATIONS ARE THE PROPERTY OF NorComp AND SHALL NOT BE REPRODUCED, COPIED OR USED AS THE BASIS FOR THE MANUFACTURE OF SALE OF APPARATUS WITHOUT WRITTEN PERMISSION.		DRAWN: C. SMITH	DATE: 05-15-07
			CHECKED:	DATE:
NorComp		SCALE: N.T.S.	SHEET 1	OF 1
		DWG NO. RJADK15S70808Y1		REV 1